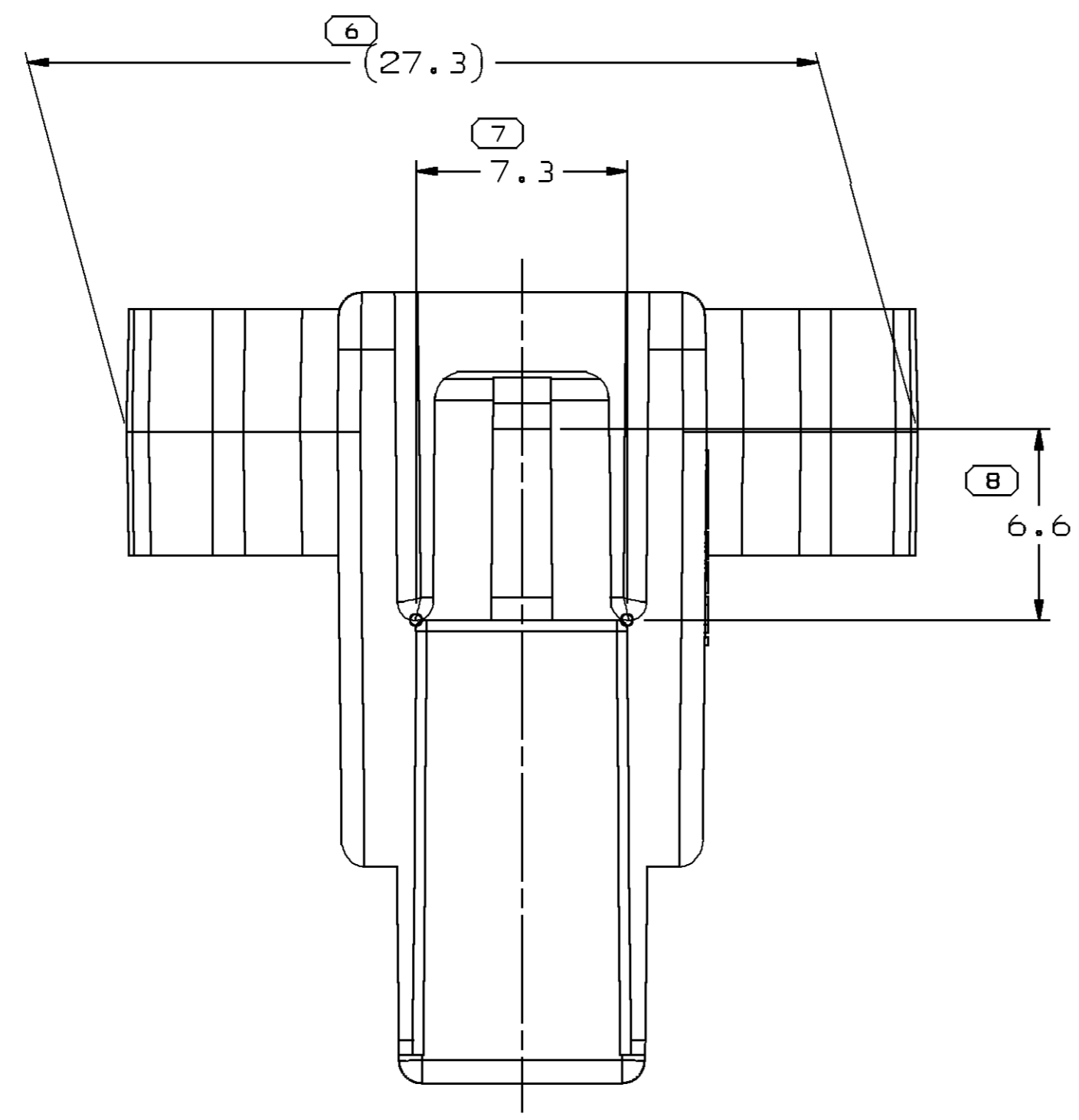
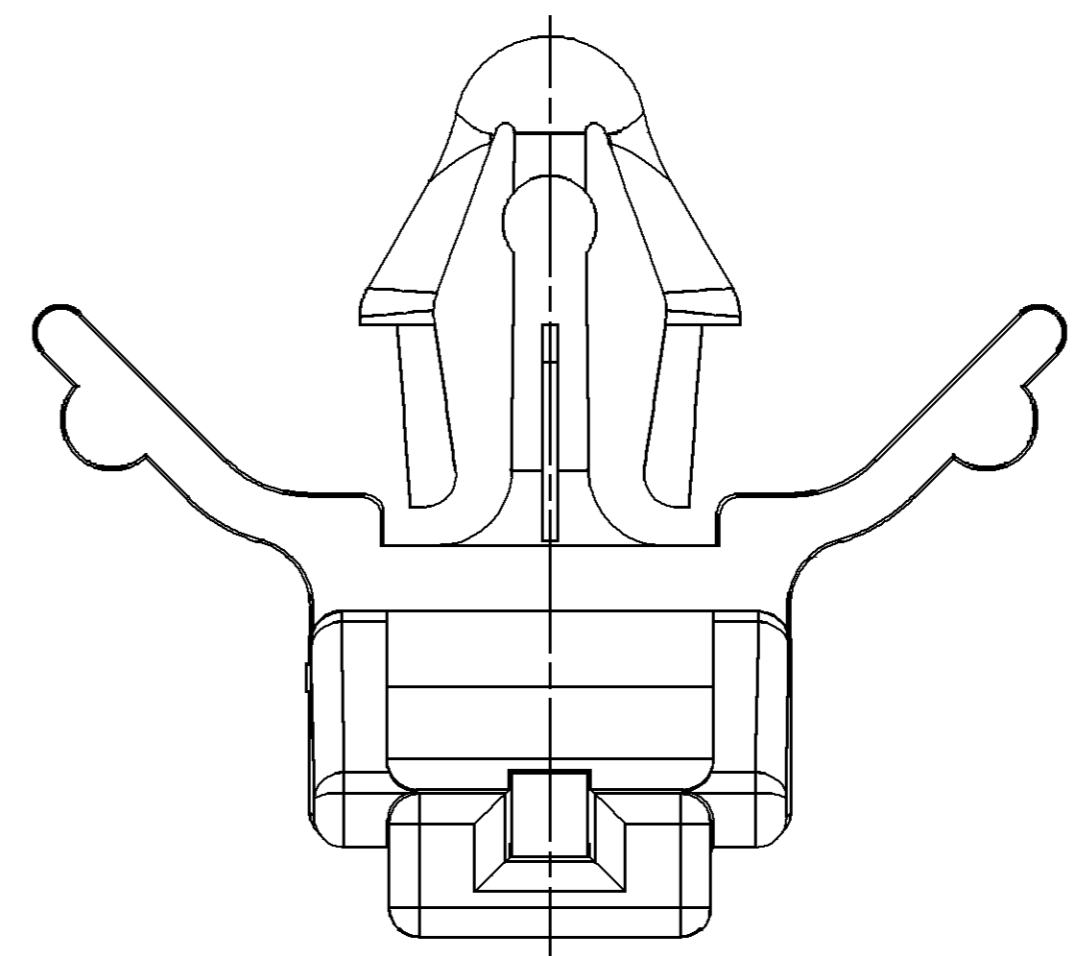
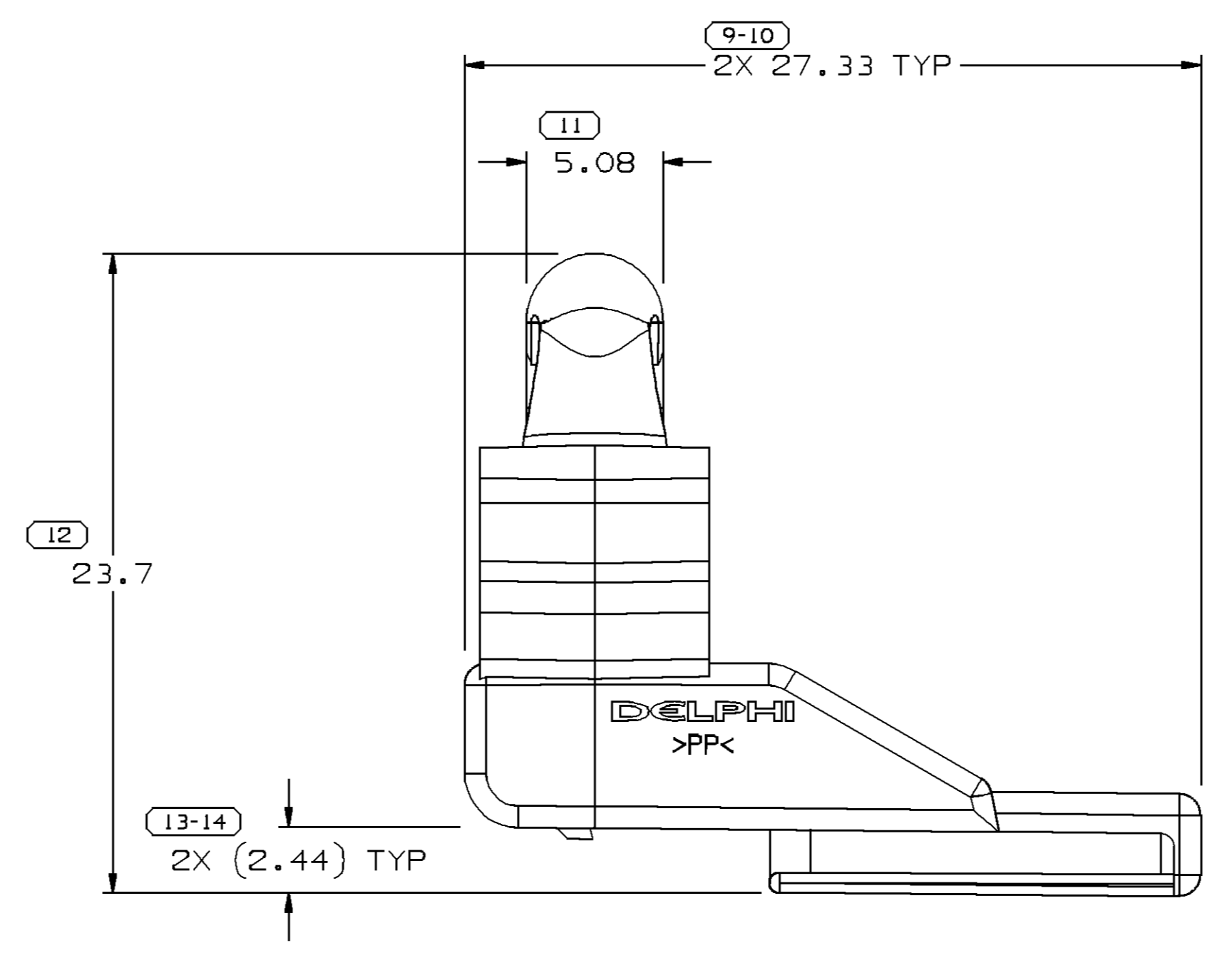
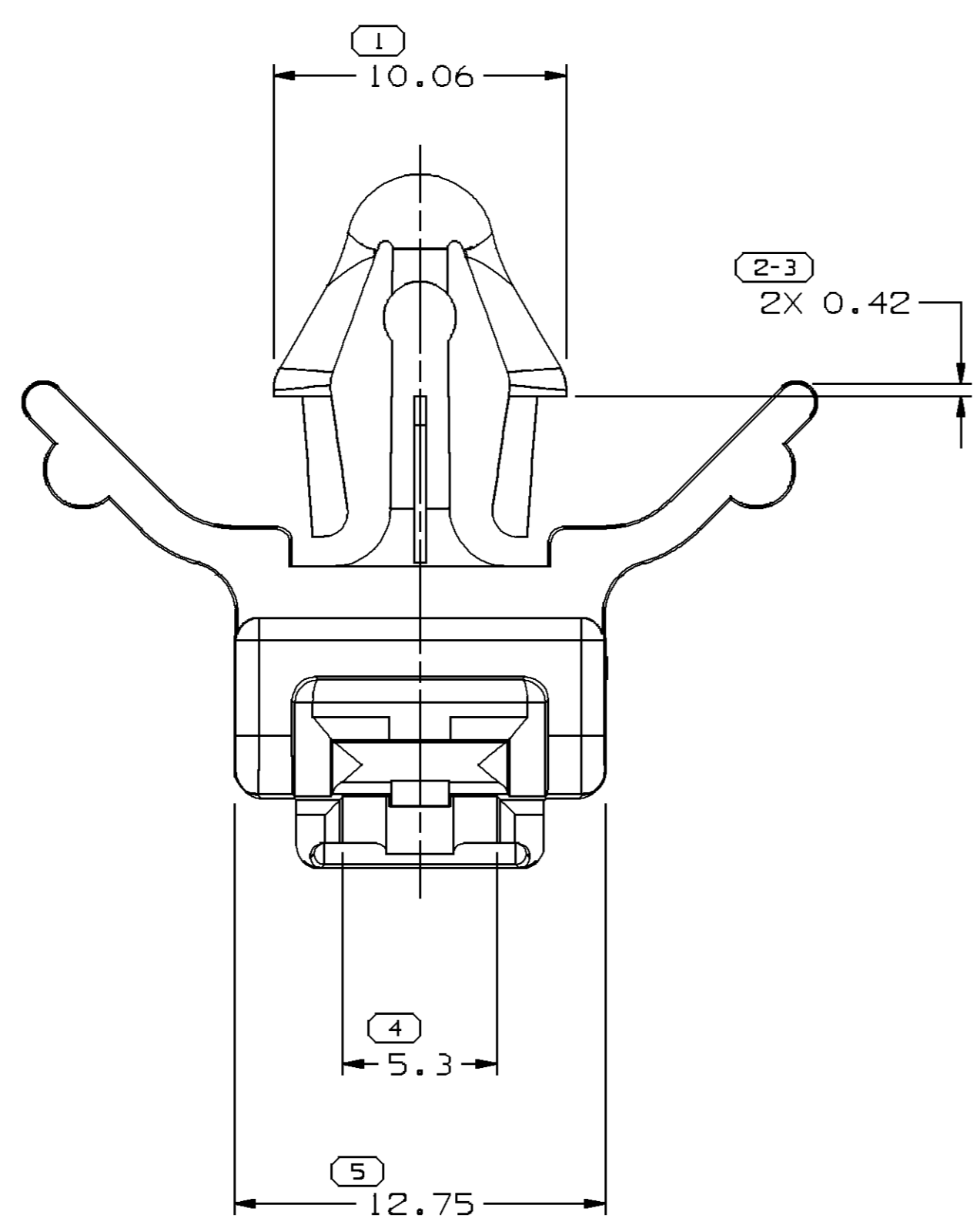
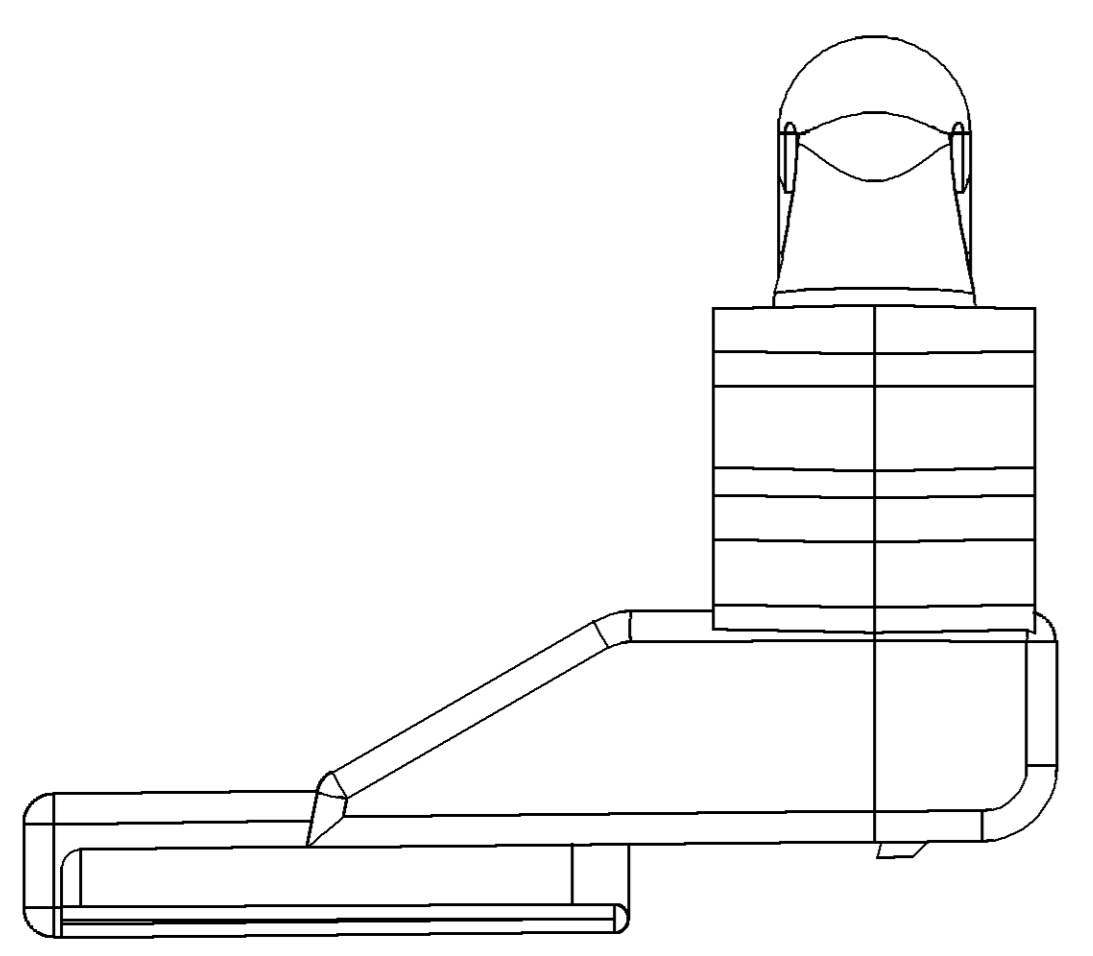
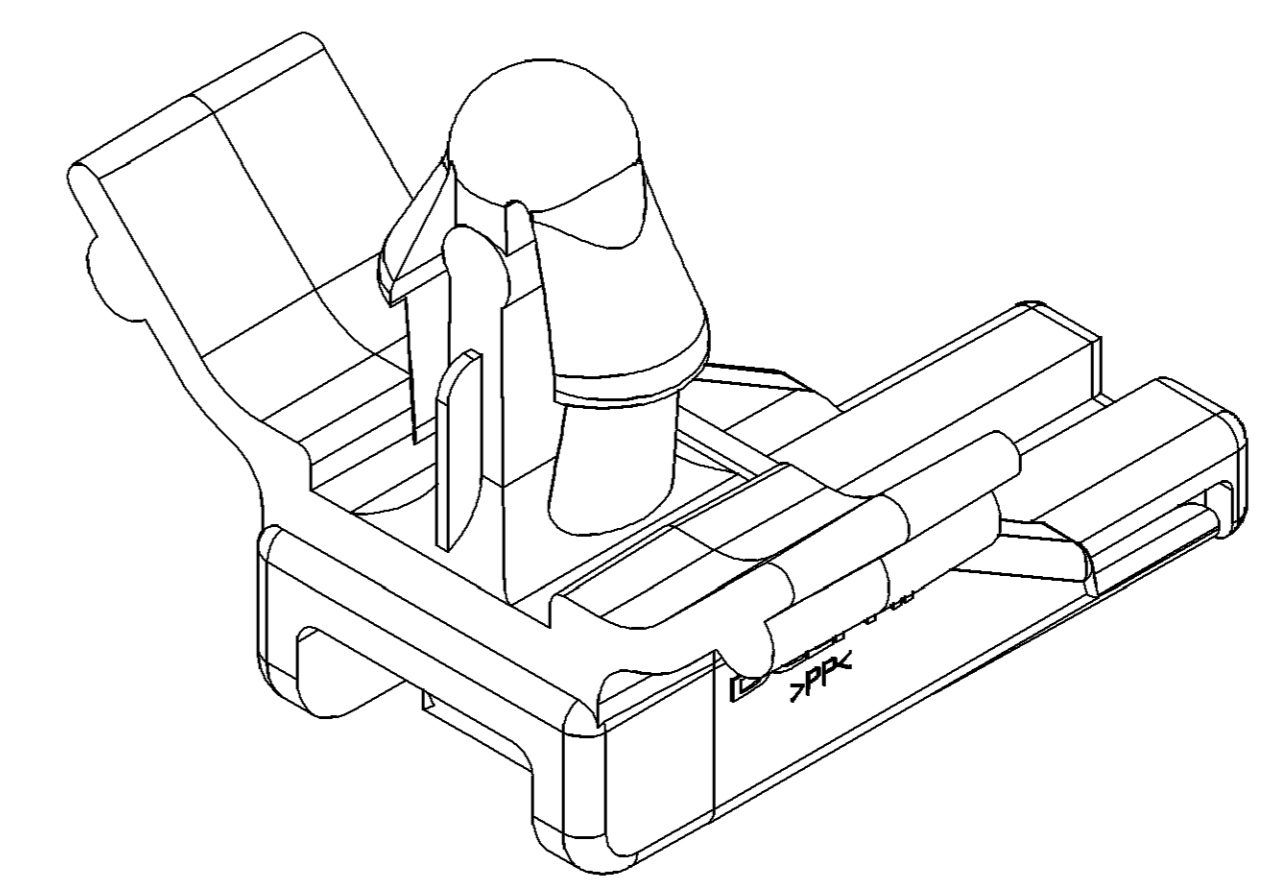
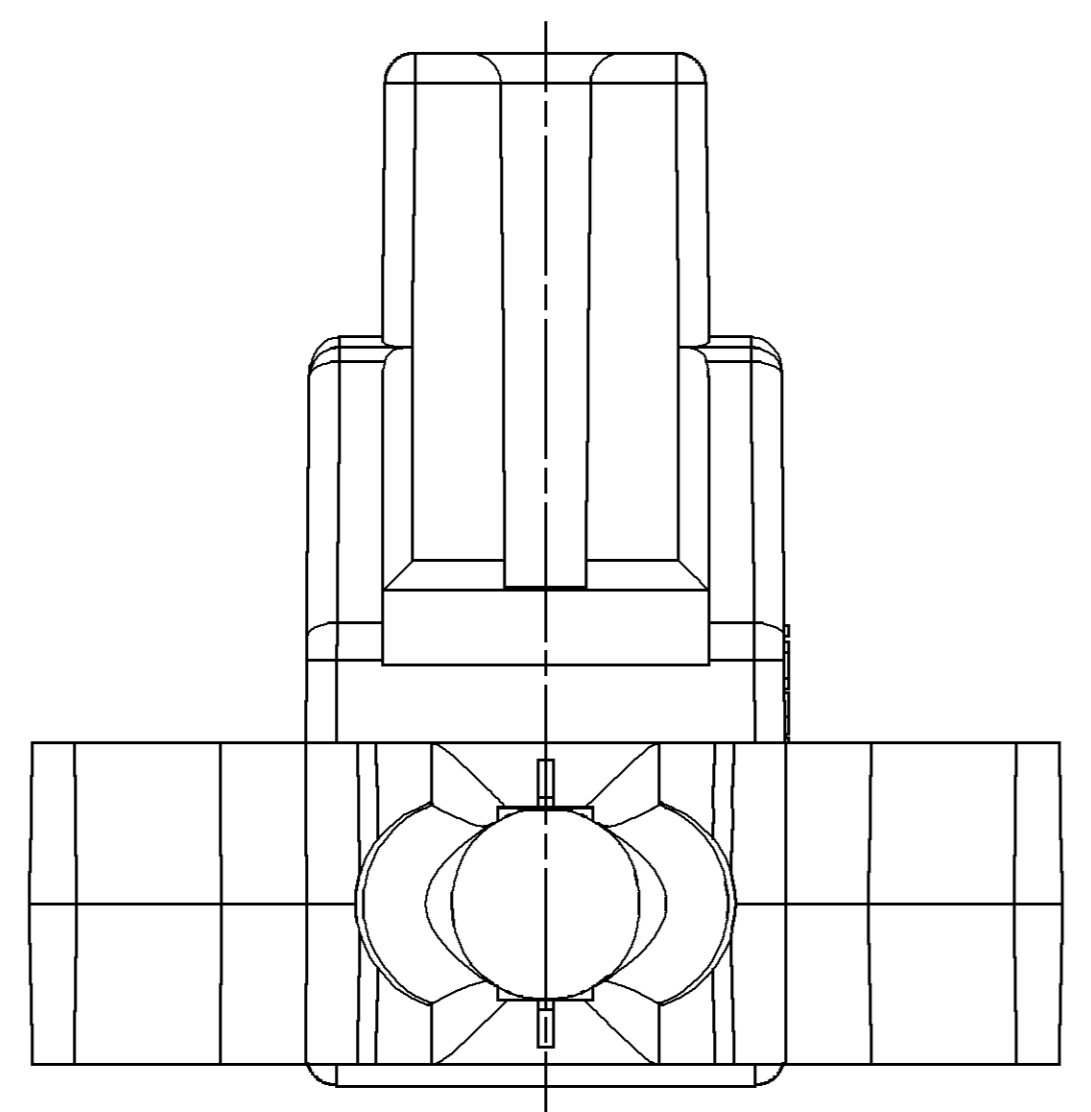


SYMBOL DEFINITION		TOTAL NO. OF SYMBOLS ON DRAWING	MISSING NUMBERS
A DIMENSION WITHOUT AN INSPECTION REPORT SYMBOL () DOES NOT REQUIRE INSPECTION. IT MAY BE CONTROLLED ON AN INDIVIDUAL COMPONENT DRAWING.		11	
		LAST NO. USED	14

DWS STATUS						REVISION HISTORY				AUTH	DR	APVD	APVD
DATE	STG	REV	N/P	CHG	ZONE								
24NO99	R	02	-	-		CLEARED REVISION COLUMN: 2X 0.42 WAS 2X 0.5, 12.75 WAS 13.19 AND 2X 27.33 TYP WAS 2X 27.5 TYP			197533	PHC	FKV	GH	
26FE00	R	03	-	-		REVISED GRAPHICS			198644	JCO	FKV	GH	
20AP00	R	03	AA	-		REMOVED NOTE 2 AND REMOVED BLENDS FROM LOCK ARM			199414	HAM	KBD	GH	
12JN02	R	03	AB	-		MAT'L SPEC WAS R0061354 AND ADDED DELPHI LOGO & NOTES 2, 3 & 4			225082	ARA	GES	FR	
19AU04	R	04	-	-		MATERIAL SPEC WAS M0661002; UPDATED RECYCLING CODE NOTE & UPDATED FORMAT			257571	EES	EES	ET	
20AP17	R	04	AA	-		UPDATED DESIGN & ENGINEERING CONTROL AND ADDED NOTE			436484	JVR	JVR	JIE	



- NOTES
- UNLESS OTHERWISE SPECIFIED AND/OR INDICATED: DIMENSIONS ARE TO FACE OF VIEW SHOWN AND AUTOMATICALLY ROUNDED BY COMPUTER FOR INSPECTION (SEE MATH MODEL FOR PRECISE DIMENSIONS). FOR ALL OTHER DIMENSIONS NOT SHOWN BUT REQUIRED FOR TOOL BUILD, SEE MATH MODEL FOR PRECISE TOOL PATH DATA.
 - MATERIAL RECYCLING CODE PER ISO 11469. (2.3)X(0.1) RAISED CHARACTERS AS SHOWN TO BE LOCATED ON ANY EXTERIOR SURFACE. OPTIONAL CONSTRUCTION TO BE NO MATERIAL RECYCLING CODE.
 - (2.3)X(0.1) RAISED DELPHI CORPORATE BRAND TO BE LOCATED ON ANY EXTERIOR SURFACE, PREFERABLY VISIBLE AT FINAL ASSEMBLY. OPTIONAL CONSTRUCTION TO BE "PED" OR NO LOGO.
 - RECOMMENDED HOLE SIZE FOR CLIP: 6.1-6.6 DIAMETER HOLE IN 3.81 MAXIMUM THICKNESS STOCK.

THE DESIGN AND ENGINEERING CONTROL OF THIS COMPONENT HAS BEEN TRANSFERRED TO DELPHI/HELLERMANN+TYTON

<p>1 LINE DRAFT THROUGH * PART NUMBER INDICATES THAT PHYSICAL PARTS ARE NOT AVAILABLE FOR ORDERING.</p> <p>PART NUMBERS THAT DO NOT HAVE A LINE PRESENT INDICATE THAT PHYSICAL PARTS ARE AVAILABLE FOR ORDERING.</p> <p>CONTACT DELPHI SALES TO ASSURE AVAILABILITY OF PARTS.</p>		<p>DATE</p> <p>APVD1 FCO, RESENDIZ</p> <p>APVD2 JOSE HUERTA</p> <p>APVD3 J. KOUNTZ</p> <p>APVD4</p> <p>APVD5</p>																																													
<p>DWG TYPE: PART DRAWING</p>		<p>DATE</p>																																													
<p>TITLE</p> <p>VOLUME (OMP): 1.849</p> <p>DISTR CODE: D</p>		<p>DATE</p>																																													
<p>UNLESS OTHERWISE SPECIFIED</p> <p>THIS DOCUMENT IS IN ACCORDANCE WITH ASME Y14.5M-1994 AS MODIFIED BY THE 2003 DIMENSIONING AND TOLERANCING ADDENDUM - 1997. ALL GEOMETRIC TOLERANCES AND RELATED DATUMS ARE IN ACCORDANCE WITH ASME Y14.5M-1994. THIS DOCUMENT DOES NOT APPLY WITH RELATIONSHIP BETWEEN FEATURES UNLESS INDICATED BY ORIENTATION OR LOCATION TOLERANCES. SEPARATE POSITION CALLOUTS MAY BE SAVED SEPARATELY, REGARDLESS OF DATUM REFERENCE.</p> <p>ALL DIMENSIONS ARE IN MILLIMETERS.</p>																																															
<p>12 PROCESS SENSITIVE DIMENSION</p> <p>DIMENSIONS ENCLOSED IN () INDICATE REFERENCE DIMENSIONS AND NO TOLERANCE LIMITS ARE ESTABLISHED.</p>		<p>THIRD ANGLE PROJECTION</p> <p>DO NOT SCALE</p> <p>USE MATH DATA</p>																																													
<table border="1"> <thead> <tr> <th>DIMENSIONAL RANGE (MM)</th> <th>TOLERANCE</th> <th>CHART</th> <th>ET</th> </tr> </thead> <tbody> <tr> <td>FROM > 0</td> <td>> 20</td> <td>> 30</td> <td>> 70</td> </tr> <tr> <td>TO 20</td> <td>30</td> <td>70</td> <td>100</td> </tr> <tr> <td></td> <td>100</td> <td>150</td> <td>200</td> </tr> <tr> <td></td> <td>200</td> <td>250</td> <td>300</td> </tr> <tr> <td></td> <td>300</td> <td>400</td> <td></td> </tr> <tr> <td colspan="4">TOLERANCE UNLESS OTHERWISE SPECIFIED</td> </tr> <tr> <td></td> <td>+0.15</td> <td>+0.2</td> <td>+0.3</td> </tr> <tr> <td></td> <td>+0.4</td> <td>+0.5</td> <td>+0.6</td> </tr> <tr> <td></td> <td>+0.8</td> <td>+1</td> <td>+1.2</td> </tr> <tr> <td colspan="4">ANGULAR TOLERANCE 12°</td> </tr> </tbody> </table>		DIMENSIONAL RANGE (MM)	TOLERANCE	CHART	ET	FROM > 0	> 20	> 30	> 70	TO 20	30	70	100		100	150	200		200	250	300		300	400		TOLERANCE UNLESS OTHERWISE SPECIFIED					+0.15	+0.2	+0.3		+0.4	+0.5	+0.6		+0.8	+1	+1.2	ANGULAR TOLERANCE 12°				<p>REFERENCE</p>	
DIMENSIONAL RANGE (MM)	TOLERANCE	CHART	ET																																												
FROM > 0	> 20	> 30	> 70																																												
TO 20	30	70	100																																												
	100	150	200																																												
	200	250	300																																												
	300	400																																													
TOLERANCE UNLESS OTHERWISE SPECIFIED																																															
	+0.15	+0.2	+0.3																																												
	+0.4	+0.5	+0.6																																												
	+0.8	+1	+1.2																																												
ANGULAR TOLERANCE 12°																																															

DELPHI	
DELPHI PACKARD ELECTRICAL/ELECTRONIC ARCHITECTURE	
WARREN, OH	
COPYRIGHT 1990 DELPHI CORPORATION AND/OR ITS AFFILIATES. ALL RIGHTS RESERVED.	
THIS DRAWING IS THE PROPERTY OF DELPHI CORPORATION AND CONTAINS DELPHI CONFIDENTIAL INFORMATION. THE REPRODUCTION, DISTRIBUTION AND UTILIZATION OF THIS DOCUMENT OR ITS RELATED CAD DATA, AS WELL AS COMMUNICATION OF ANY CONTENT TO OTHERS, WITHOUT EXPRESS AUTHORIZATION, IS PROHIBITED.	
DR	DATE
APVD1 FCO, RESENDIZ	25 JUN 98
APVD2 JOSE HUERTA	26 JUN 98
APVD3 J. KOUNTZ	13 JUL 98
APVD4	
APVD5	
SUBSTANCES OF CONCERN AND RECYCLED CONTENT PER DELPHI 19449001	
M2097001 PP 1M BLK	
DRAWING NAME	
MOUN ATTCH CLIP CONN ROSEBUD	
DRAWING NUMBER	
15358672	
SIZE	SCALE
A0	5:1
FRM NO	SHEET NO
1 OF 1	1 OF 1
REV	N/P
04	AA

X-ON Electronics

Largest Supplier of Electrical and Electronic Components

Click to view similar products for [Automotive Connectors](#) category:

Click to view products by [APTIV](#) manufacturer:

Other Similar products are found below :

[003-018-000](#) [60403001](#) [60993906-B](#) [629515004020001](#) [M902-2131](#) [M902-2161](#) [72.330.1035.1](#) [73.353.4028.0](#) [F119300-B](#) [F166900](#)
[F258300-B](#) [F358300-B](#) [F407400](#) [F444110](#) [F487000](#) [F509500B-B](#) [827153-1](#) [8N1515-32-24P](#) [9-1326729-8](#) [925474-1](#) [928905-1](#) [964562-4](#)
[968782-1](#) [GT17SA-8DS-HU](#) [98891-1012](#) [98947-1016](#) [12004475-L](#) [12010290](#) [12010309-B](#) [12015454](#) [12020219-B](#) [12020308](#) [12041318-B](#)
[12052225-L](#) [12052466](#) [12059125](#) [12064869](#) [12004327-B](#) [12010503-B](#) [12015308](#) [12015384](#) [12015909](#) [1-21030-1](#) [12041254](#) [12041318](#)
[12047946-B](#) [12047957](#) [12047957-L](#) [12059473](#) [12066261](#)