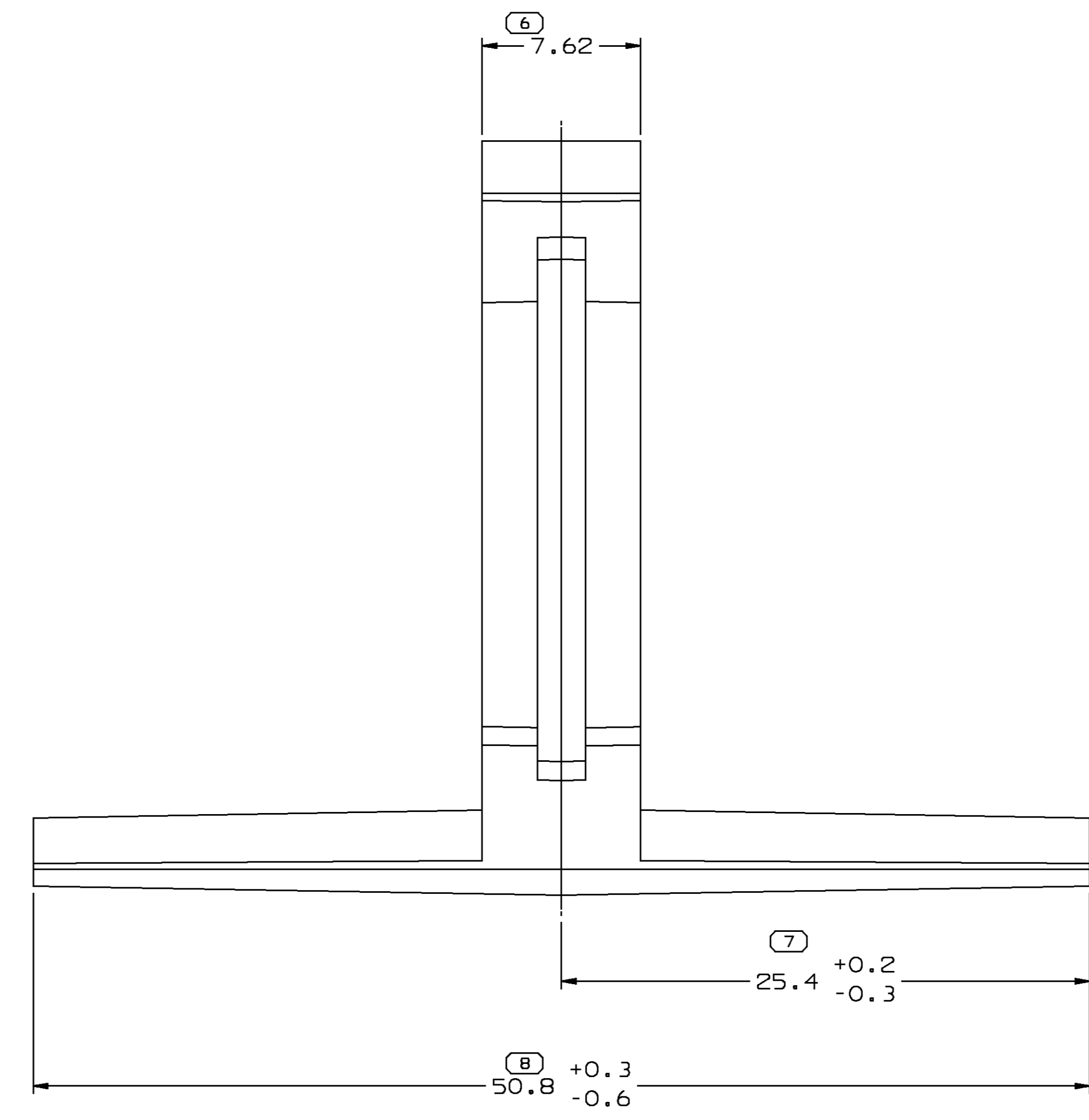
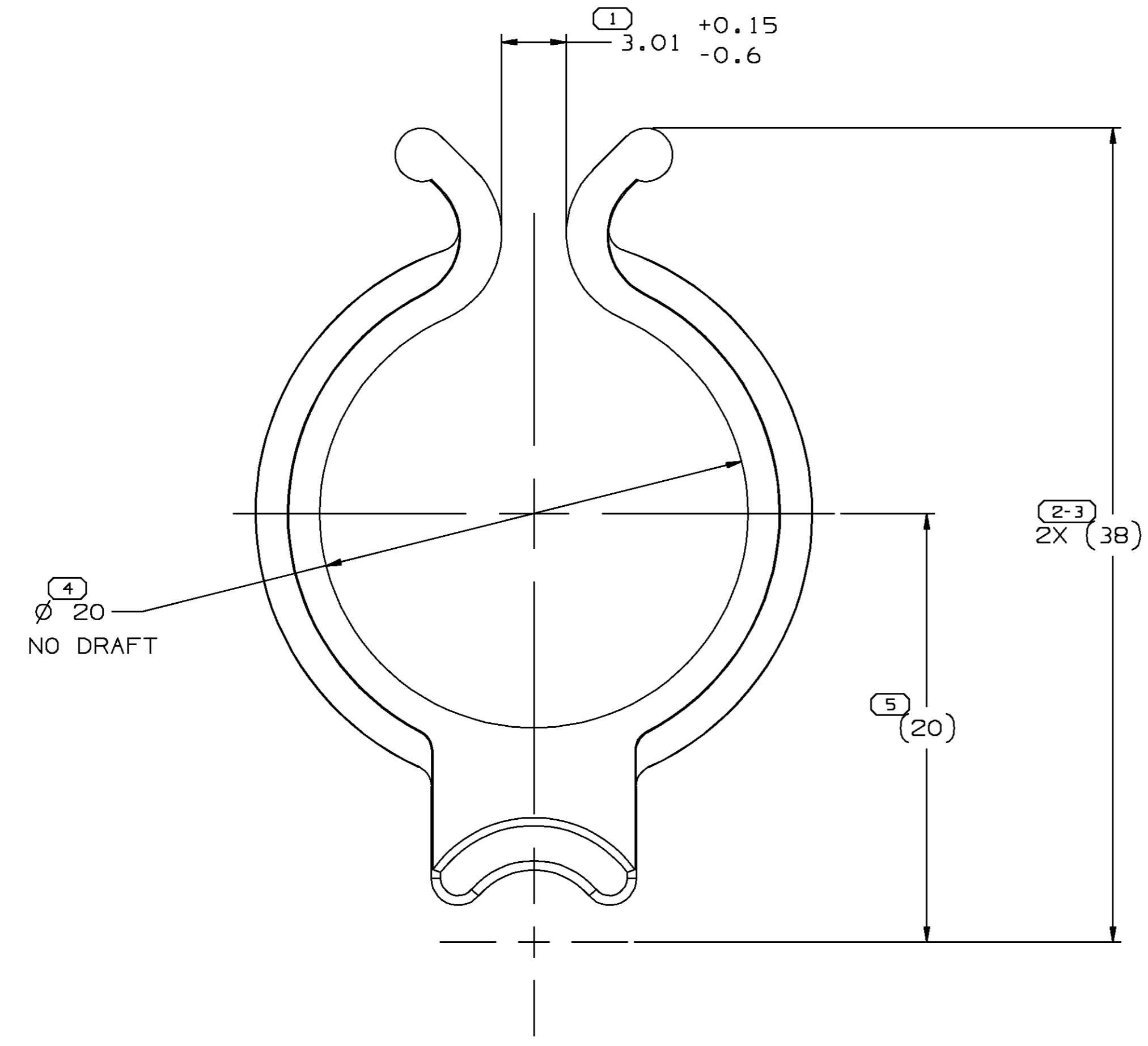
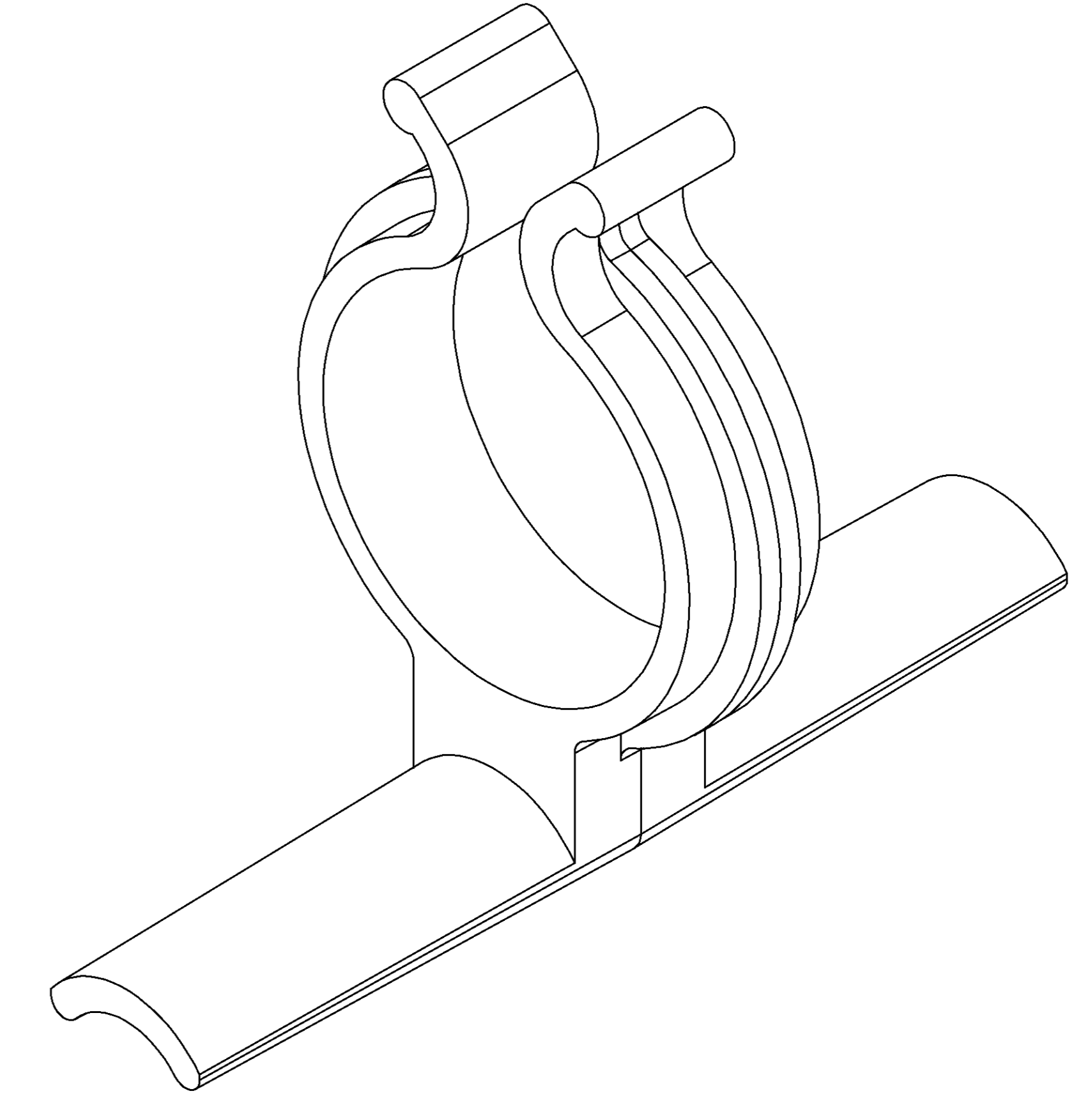
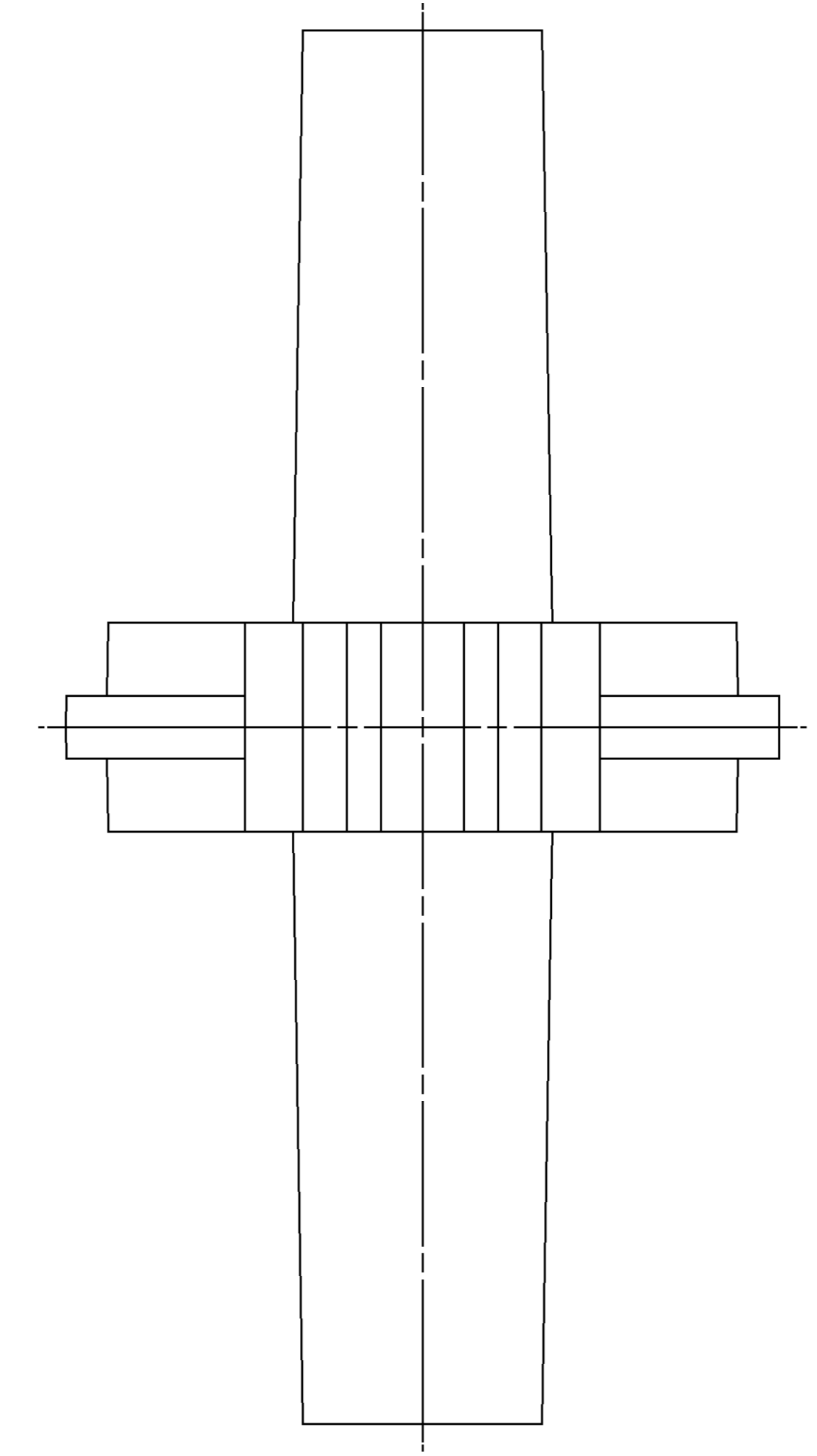


THIS DRAWING AND/OR ELECTRONIC FILE, AND THE DESIGN HEREON, CONSTITUTES A PROPRIETARY DESIGN OF DELPHI PACKARD ELECTRIC SYSTEMS. DO NOT SCALE.

SYMBOL DEFINITION		MISSING NUMBERS		DATE	SYM	REVISION RECORD	AUTH	DR	CK
THE NUMBER INSIDE THE SYMBOL CORRESPONDS TO THE NUMBER ON THE INSPECTION REPORT FOR THIS DRAWING/PART NUMBER	TOTAL NO. OF SYMBOLS ON DRAWING	7		05N09B	A	RELEASED			980005 CP CP
	LAST NO. USED	8		26AP99	A1	REVISED TOLERANCES -5 PLCS, MADE DIM #6 PROCESS SENSITIVE, REV TO "A1"			980005 CP CP 194933JEBJEB



- NOTES
- UNLESS OTHERWISE SPECIFIED AND/OR INDICATED: DIMENSIONS ARE TO FACE OF VIEW SHOWN AND AUTOMATICALLY ROUNDED BY COMPUTER FOR INSPECTION. (SEE MATH MODEL FOR PRECISE DIMENSIONS.) FOR ALL OTHER DIMENSIONS NOT SHOWN BUT REQUIRED FOR TOOL BUILD, SEE MATH MODEL FOR PRECISE TOOL PATH DATA.
 - TOOL CAVITY I.D. SHOULD BE LOCATED NEAR THE GATE.

PART DRAWING

THIRD ANGLE PROJECTION

Ugraphics

CODE NO 6900 QC

DWG DATE 05N09B

SCALE 5:1

REFERENCE NO 001,701

MATERIAL SPEC R0071754 PA66 HS 1M-BLK

NAME CLIP HARN

PART NUMBER 1535 8680

SIZE A0

PART NO 1535 8680

PART NO 1535 8680

DIMENSIONAL RANGE	
FROM 0	> 20
TO 20	> 30
	> 70
	> 100
DIMENSIONS ENCLOSED IN () INDICATE REFERENCE DIMENSIONS AND NO TOLERANCE LIMITS ARE ESTABLISHED	
TOLERANCE UNLESS OTHERWISE SPECIFIED:	
(±0.15) ±0.2	(±0.3) ±0.4
(±0.5) ±0.5	(±1.0) ±1.0
ANGULAR TOLERANCE ± 2°	

DELPHI PACKARD ELECTRIC SYSTEMS
WARREN, OHIO 44890

X-ON Electronics

Largest Supplier of Electrical and Electronic Components

Click to view similar products for [Automotive Connectors](#) category:

Click to view products by [APTIV](#) manufacturer:

Other Similar products are found below :

[003-018-000](#) [60403001](#) [60993906-B](#) [629515004020001](#) [M902-2131](#) [M902-2161](#) [72.330.1035.1](#) [73.353.4028.0](#) [F119300-B](#) [F166900](#)
[F258300-B](#) [F358300-B](#) [F407400](#) [F444110](#) [F487000](#) [F509500B-B](#) [827153-1](#) [8N1515-32-24P](#) [9-1326729-8](#) [925474-1](#) [928905-1](#) [964562-4](#)
[968782-1](#) [GT17SA-8DS-HU](#) [98891-1012](#) [98947-1016](#) [12004475-L](#) [12010290](#) [12010309-B](#) [12015454](#) [12020219-B](#) [12020308](#) [12041318-B](#)
[12052225-L](#) [12052466](#) [12059125](#) [12064869](#) [12004327-B](#) [12010503-B](#) [12015308](#) [12015384](#) [12015909](#) [1-21030-1](#) [12041254](#) [12041318](#)
[12047946-B](#) [12047957](#) [12047957-L](#) [12059473](#) [12066261](#)