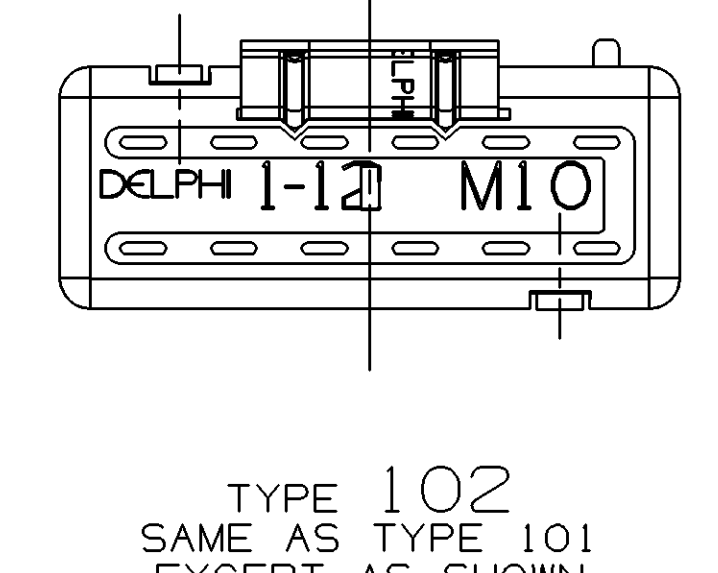
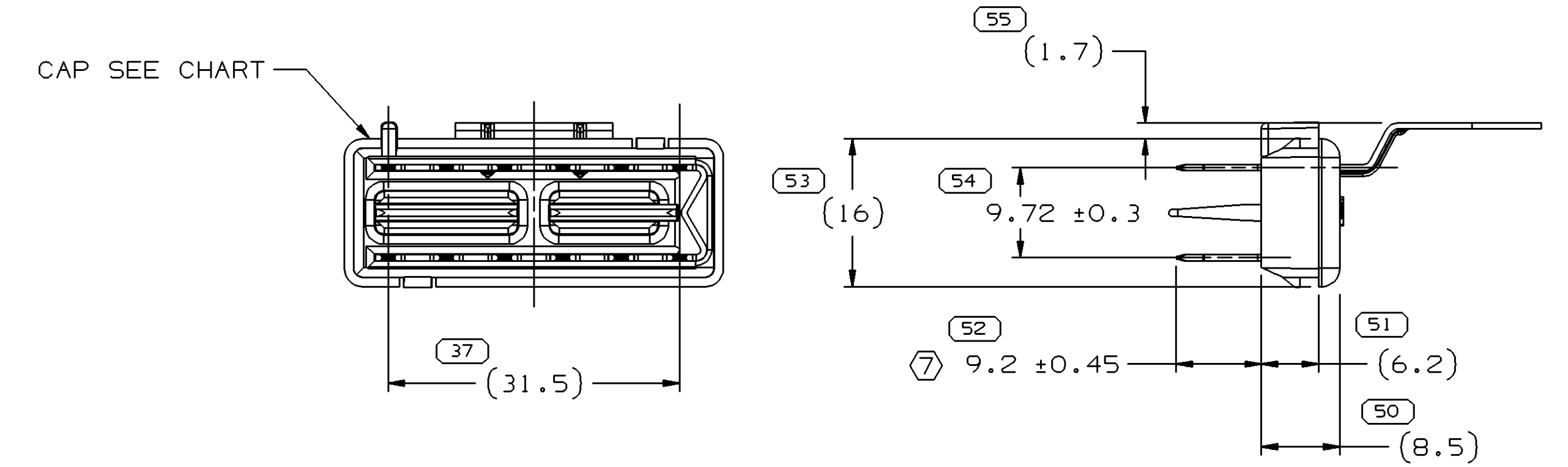
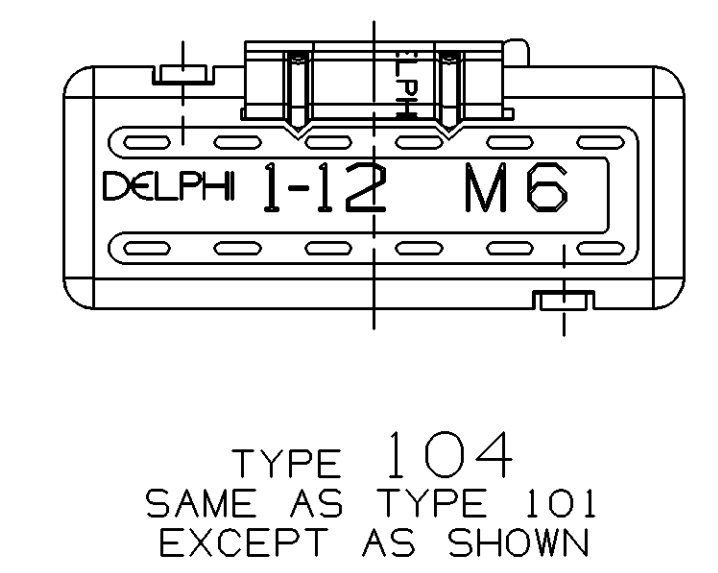
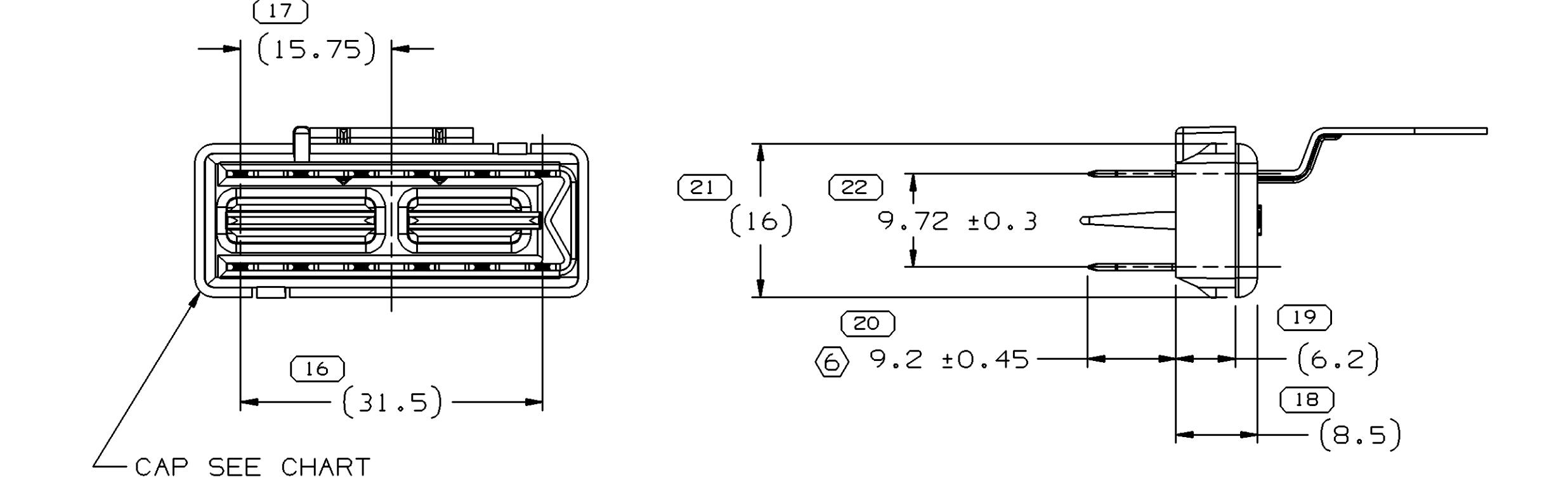
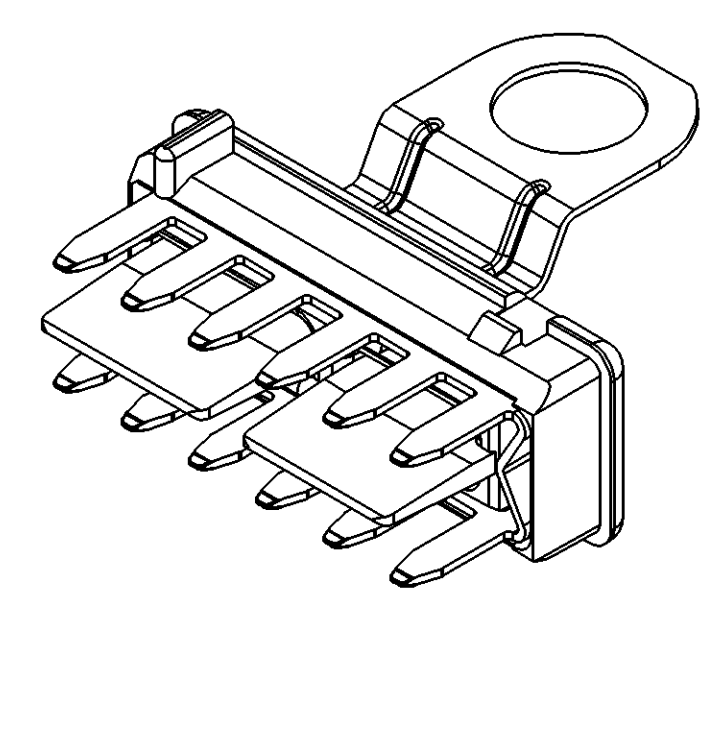
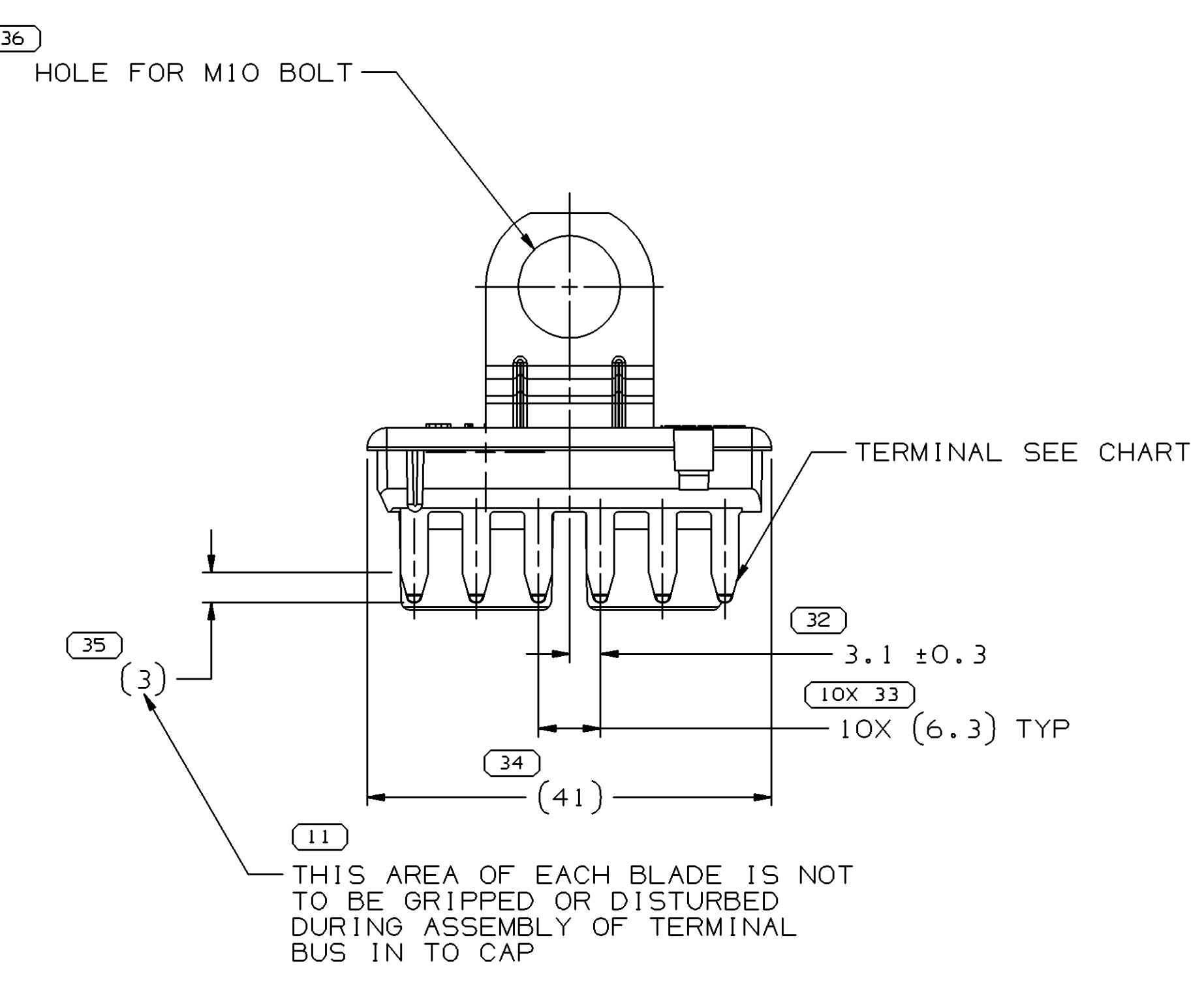
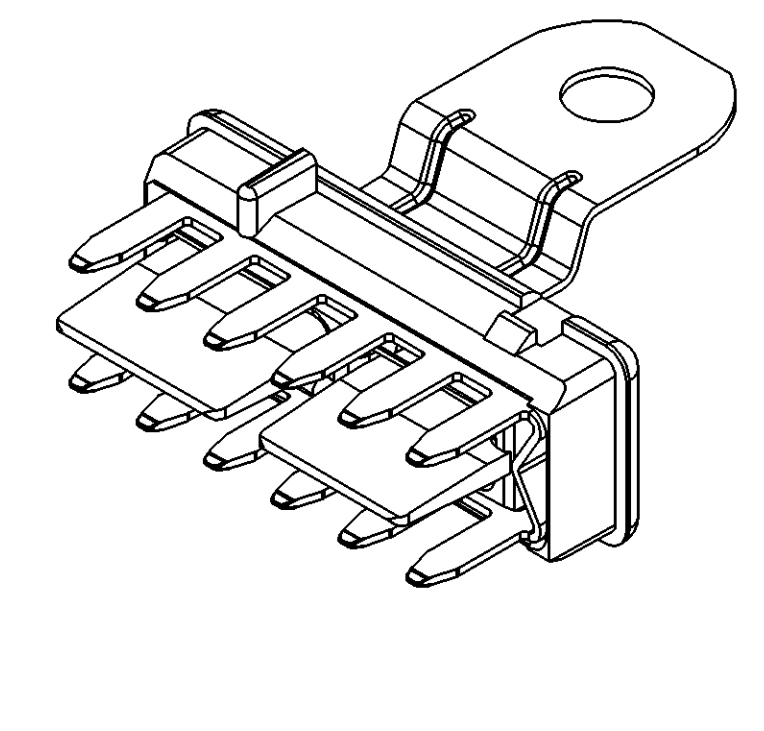
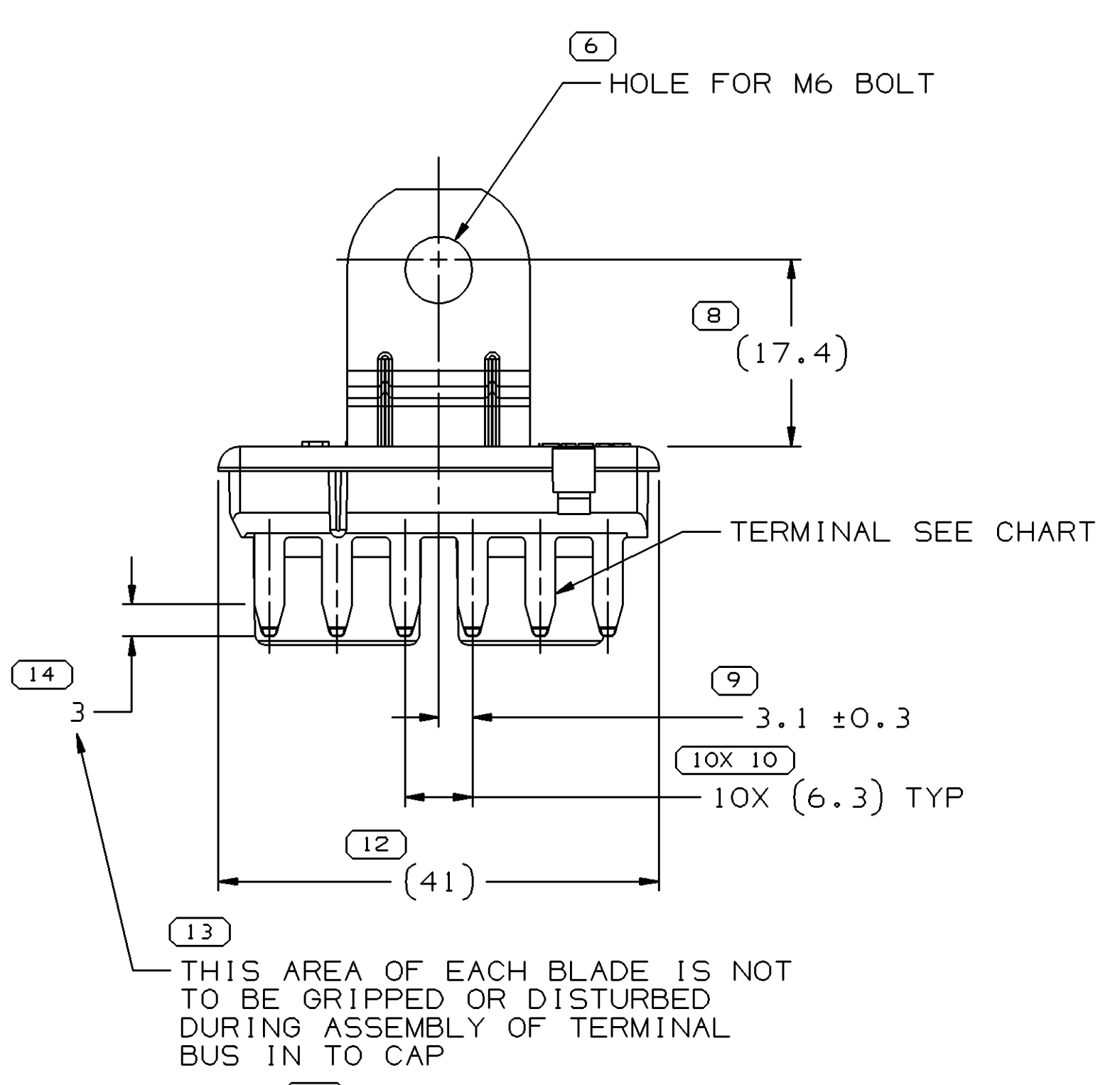
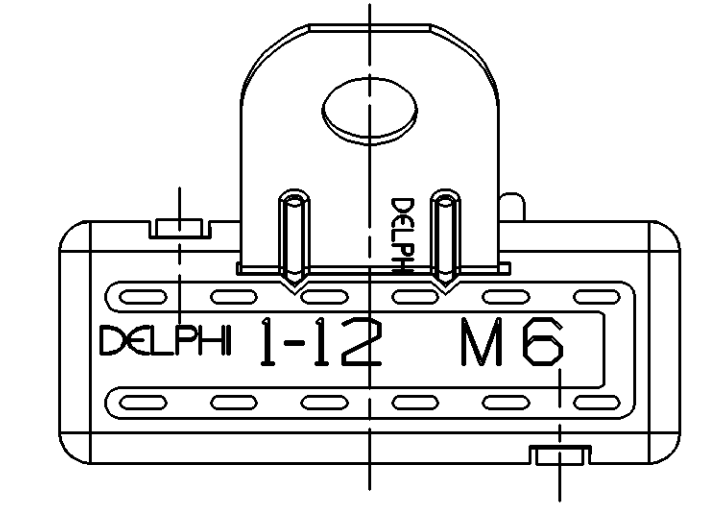
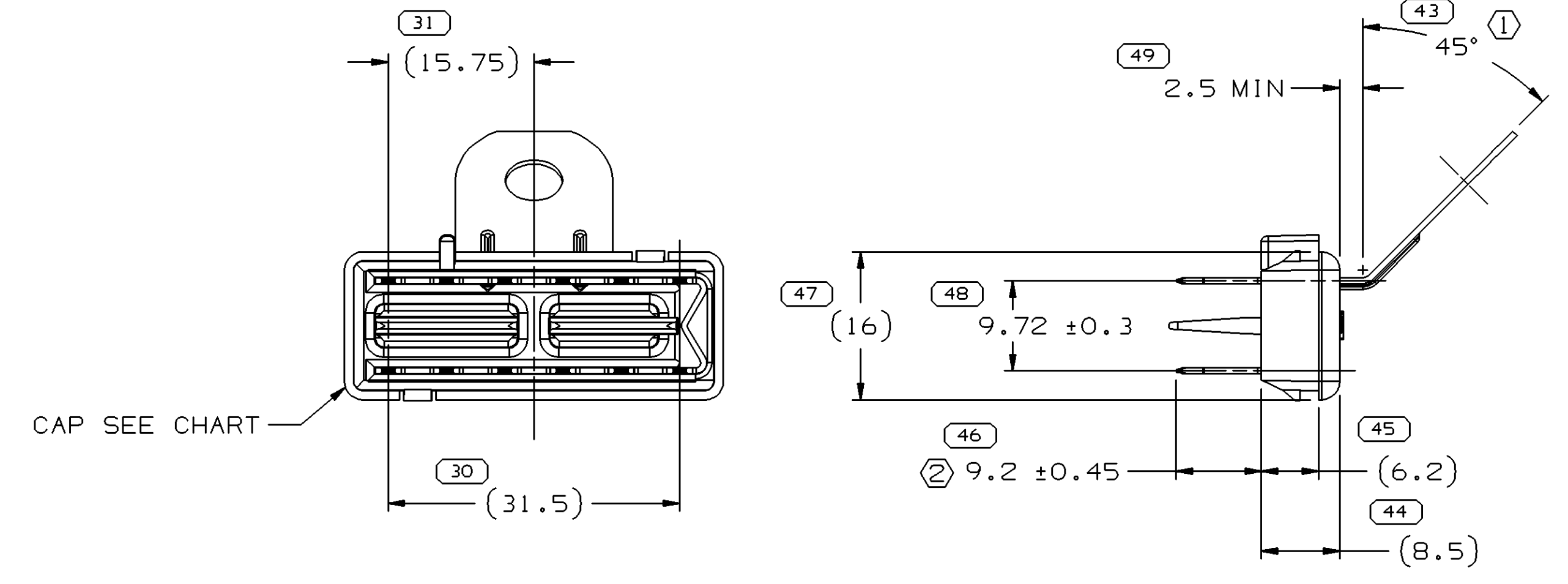
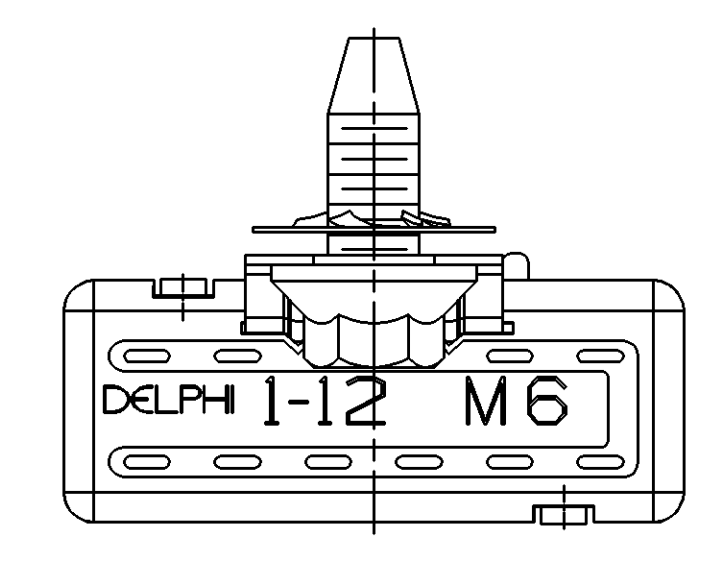
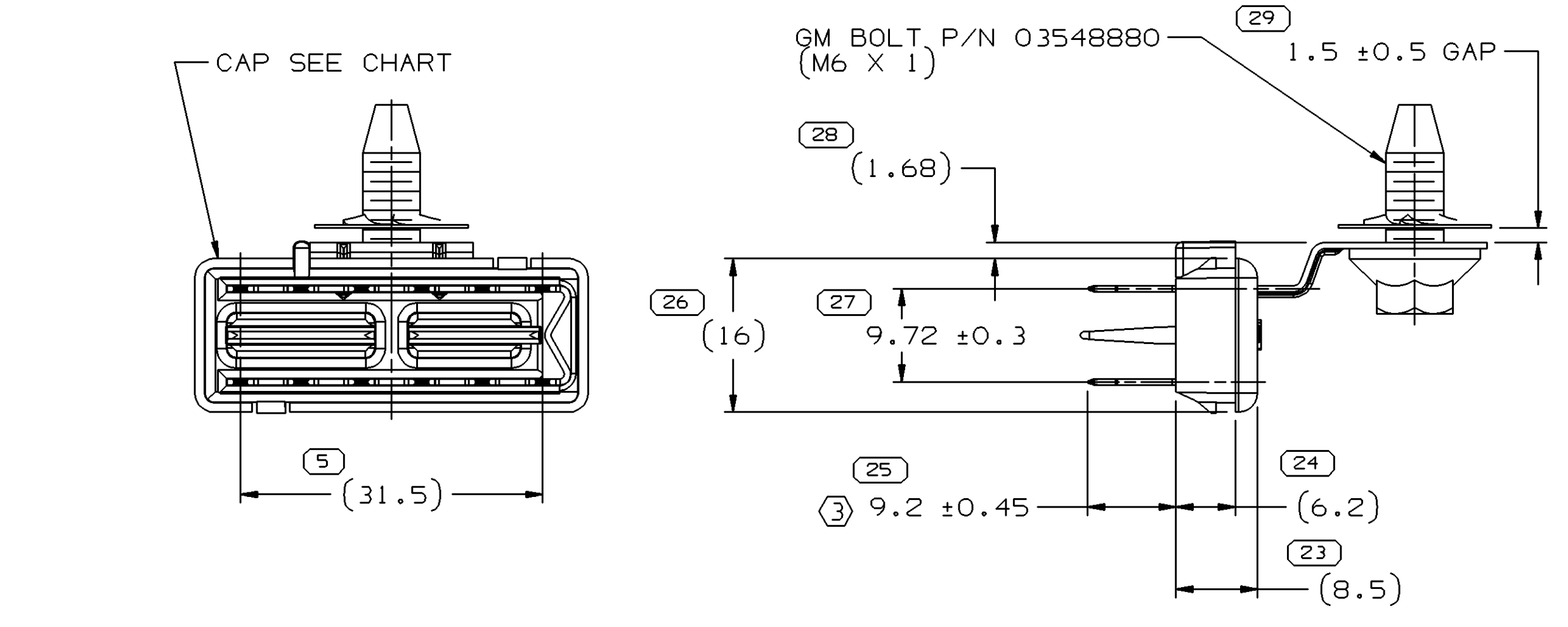
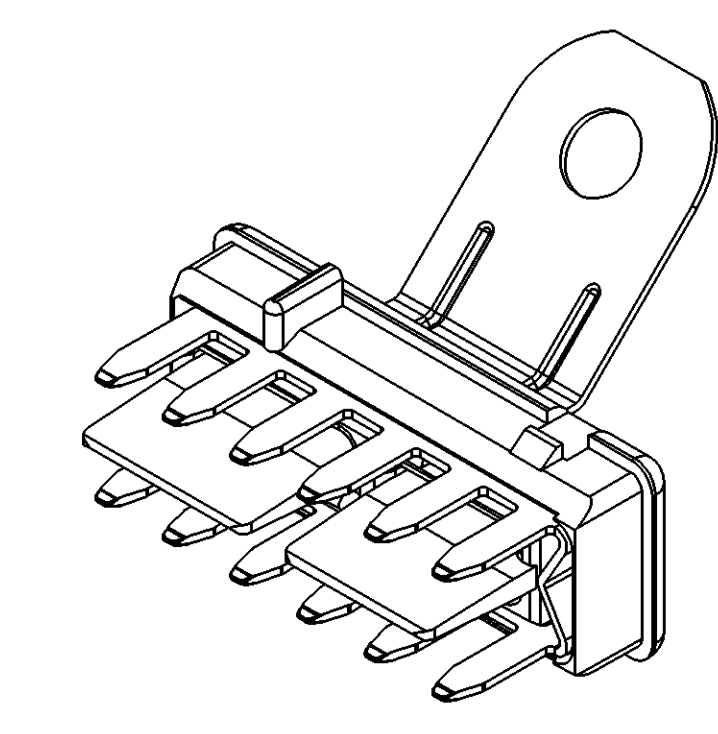
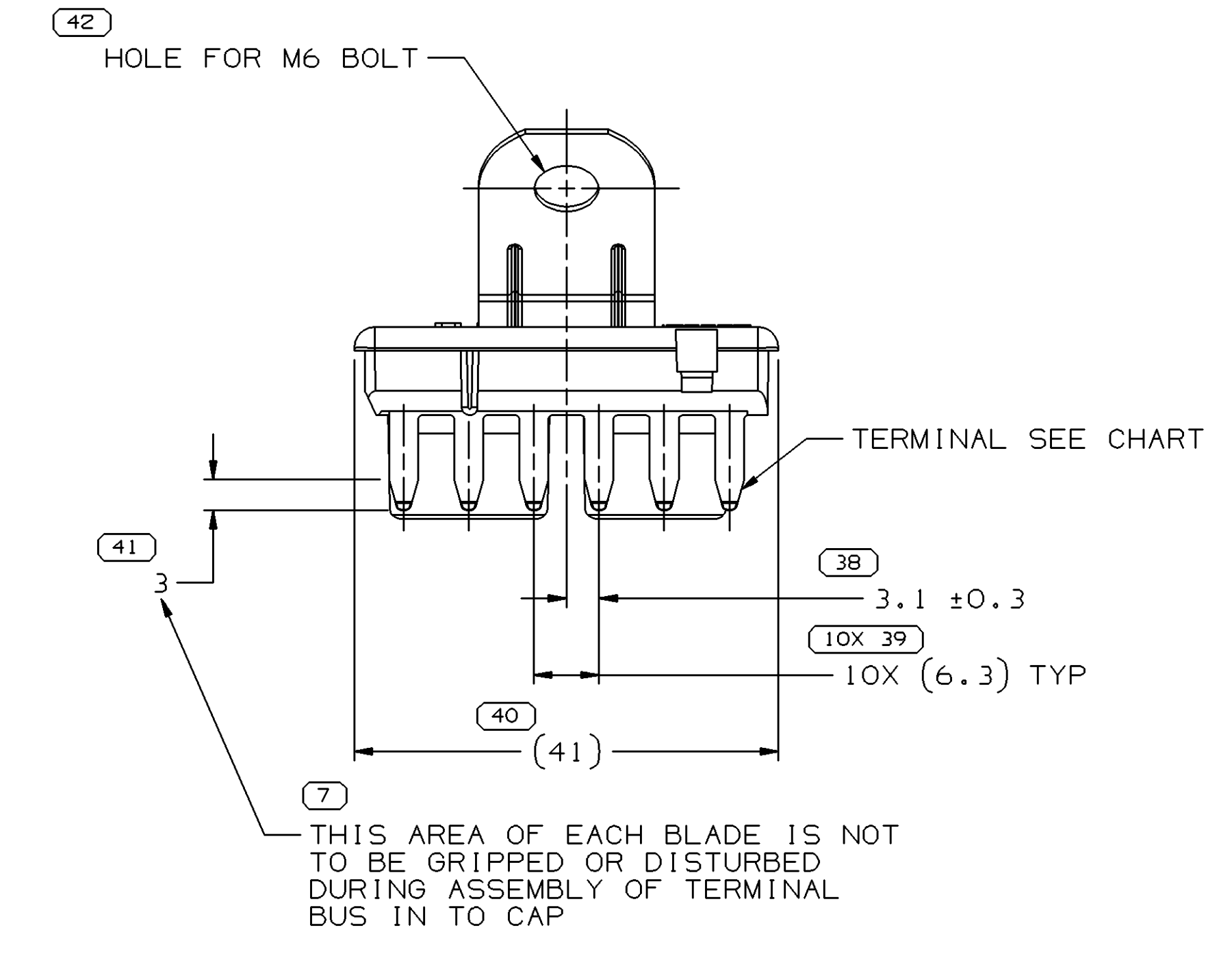
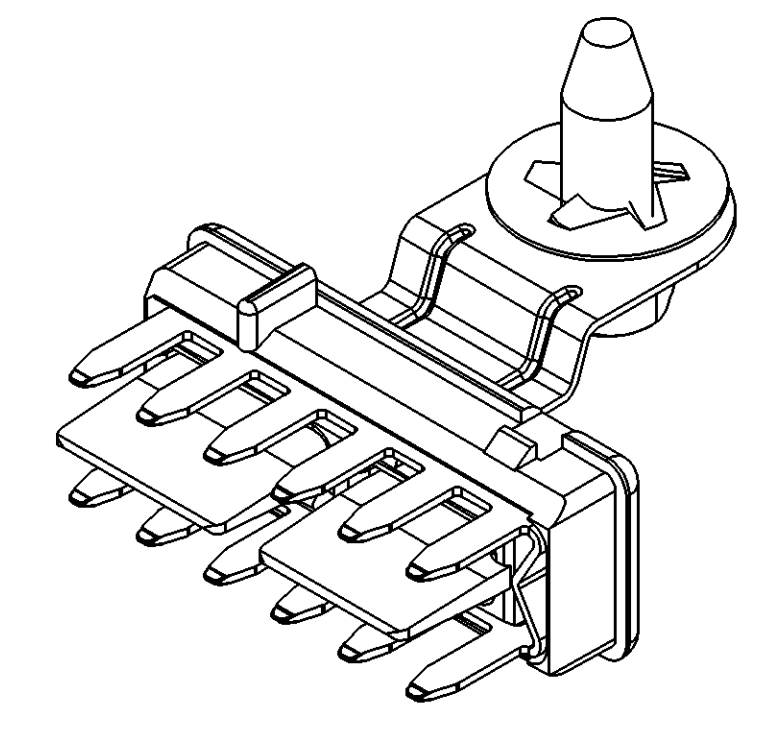
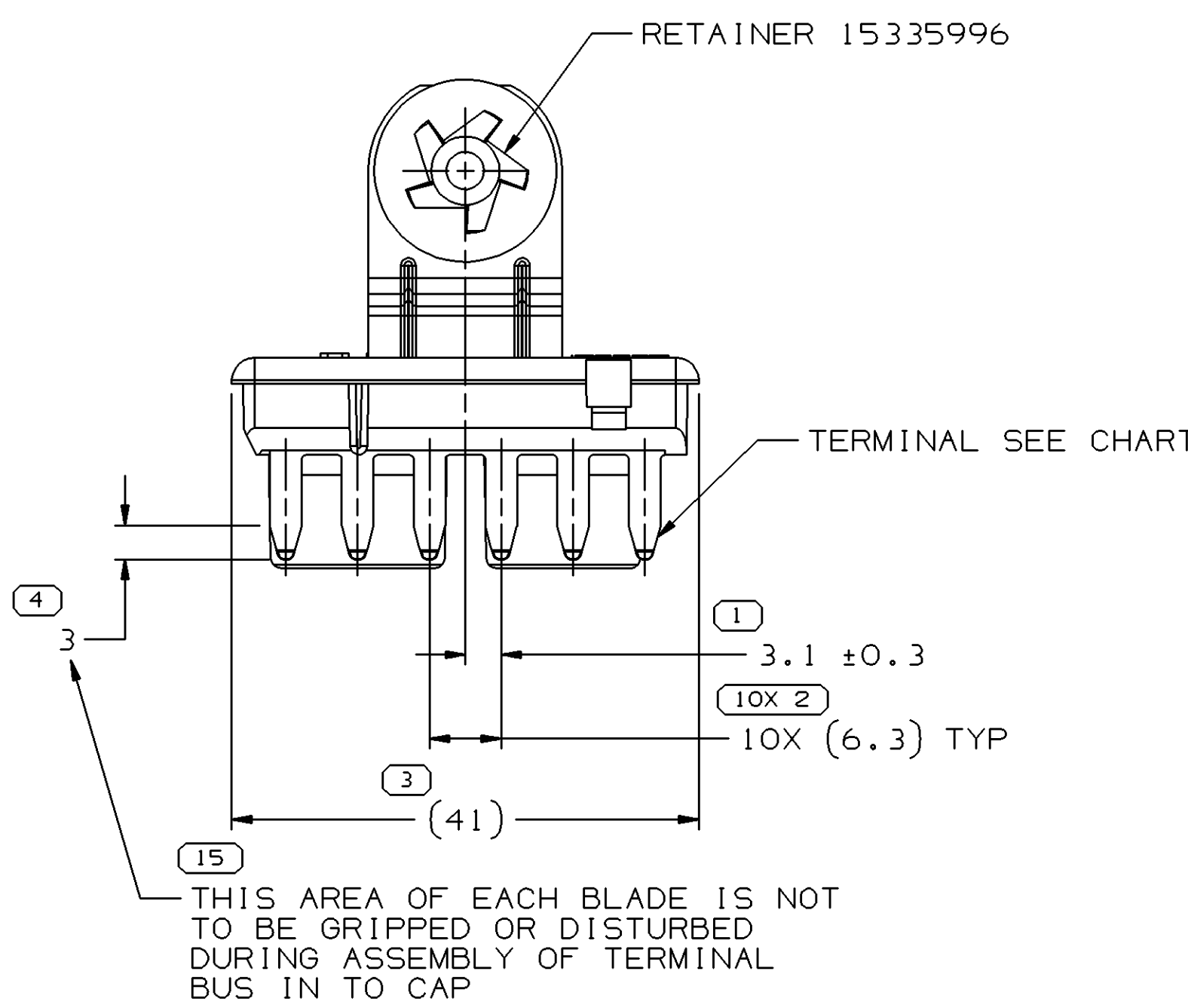


SYMBOL DEFINITION		MISSING SYMBOLS		DWO STATUS				REVISION HISTORY				AUTH		DR		APVD		
A DIMENSION WITHOUT AN INSPECTION REPORT SYMBOL DOES NOT REQUIRE INSPECTION. IT MAY BE CONTROLLED ON THE INDIVIDUAL COMPONENT DRAWING.		TOTAL NO OF INSPECTIONS REQUIRED		NO MISSING SYMBOL NUMBER		DATE	STG	REV	N/P	CHO	ZONE	REVISION HISTORY				AUTH	DR	APVD
		91		91		30SE05	R	01	-	-	-	CLEARED REV COL AND REDRAWN TO PD: 12191935 - OBSOLETE				273000	CCV	JAA
		LAST NO. USED																
		55																



NOTES

- UNLESS OTHERWISE SPECIFIED AND/OR INDICATED: DIMENSIONS ARE TO FACE OF VIEW SHOWN AND AUTOMATICALLY ROUNDED BY COMPUTER FOR INSPECTION (SEE MATH MODEL FOR PRECISE DIMENSIONS). FOR ALL OTHER DIMENSIONS NOT SHOWN BUT REQUIRED FOR TOOL BUILD, SEE MATH MODEL FOR PRECISE TOOL PATH DATA.
- "O" INDICATES PROCESS SENSITIVE DIMENSION FOR PART PRODUCTION AND ARE TO BE USED FOR INITIAL CAPABILITY STUDY. THESE DIMENSIONS ARE ALSO TO BE MONITORED DURING NORMAL PRODUCTION.

PART NO	REV	N/P	STATUS	TYPE	CAP MATERIAL SPECIFICATION AND COLOR	TERMINAL	CAP	MATING CONNECTOR
15369276	A	-	-	104	RO071754 PA66 HS IM-BLK	12191930	12191929	12191928
15354636	A2	-	-	103	RO071754 PA66 HS IM-BLK	12191930	12191929	12191928
12191935	A4	-	OBSOLETE	102	RO071621 PA66 HS IM-BGE	12191934	12191933	12191932
12191931	B2	-	-	101	RO071754 PA66 HS IM-BLK	12191930	12191929	12191928

DIMENSIONAL RANGE (MM)		CHART ET	
FROM	TO	FROM	TO
> 0	> 20	> 70	> 100
> 20	> 30	> 100	> 150
> 30	> 40	> 150	> 200
> 40	> 50	> 200	> 250
> 50	> 60	> 250	> 300
> 60	> 70	> 300	> 400
TOLERANCE UNLESS OTHERWISE SPECIFIED		TOLERANCE UNLESS OTHERWISE SPECIFIED	
± 0.15	± 0.2	± 0.3	± 0.4
± 0.3	± 0.4	± 0.5	± 0.6
± 0.6	± 0.8	± 1	± 1.2
ANGULAR TOLERANCE 12°			

DELPHI
DELPHI PACKARD ELECTRIC SYSTEMS
WARREN, OH

DR	DATE
APVD1 L. R. MOYSEN M.	10FE97
APVD2 W. TURNBULL	10FE97
APVD3 G. DETTER	18FE97
APVD4	
APVD5	

UNLESS OTHERWISE SPECIFIED
THIS DOCUMENT IS IN ACCORDANCE WITH ASME Y14.5M-1994
AS AMENDED BY THE DIMENSIONAL DIMENSIONING AND TOLERANCING ADDENDUM-2003. SEPARATE PATTERNING OF FEATURES MAY BE OBTAINED SEPARATELY REGARDLESS OF DATUM REFERENCE.

ALL DIMENSIONS ARE IN MILLIMETERS

REFERENCE

THIRD ANGLE PROJECTION

DO NOT SCALE

USE MATH DATA

DRAWING NAME
TAXI ASM COV CONN M/P

DRAWING NUMBER
15318056

SIZE A0
SCALE 2:1
FRAME NO 1
SHEET NO 1
REV 01

X-ON Electronics

Largest Supplier of Electrical and Electronic Components

Click to view similar products for [Automotive Connectors](#) category:

Click to view products by [APTIV](#) manufacturer:

Other Similar products are found below :

[003-018-000](#) [60403001](#) [60993906-B](#) [629515004020001](#) [M902-2131](#) [M902-2161](#) [72.330.1035.1](#) [73.353.4028.0](#) [F119300-B](#) [F166900](#)
[F258300-B](#) [F358300-B](#) [F407400](#) [F444110](#) [F487000](#) [F509500B-B](#) [827153-1](#) [8N1515-32-24P](#) [9-1326729-8](#) [925474-1](#) [928905-1](#) [964562-4](#)
[968782-1](#) [GT17SA-8DS-HU](#) [98891-1012](#) [98947-1016](#) [12004475-L](#) [12010290](#) [12010309-B](#) [12015454](#) [12020219-B](#) [12020308](#) [12041318-B](#)
[12052225-L](#) [12052466](#) [12059125](#) [12064869](#) [12004327-B](#) [12010503-B](#) [12015308](#) [12015384](#) [12015909](#) [1-21030-1](#) [12041254](#) [12041318](#)
[12047946-B](#) [12047957](#) [12047957-L](#) [12059473](#) [12066261](#)