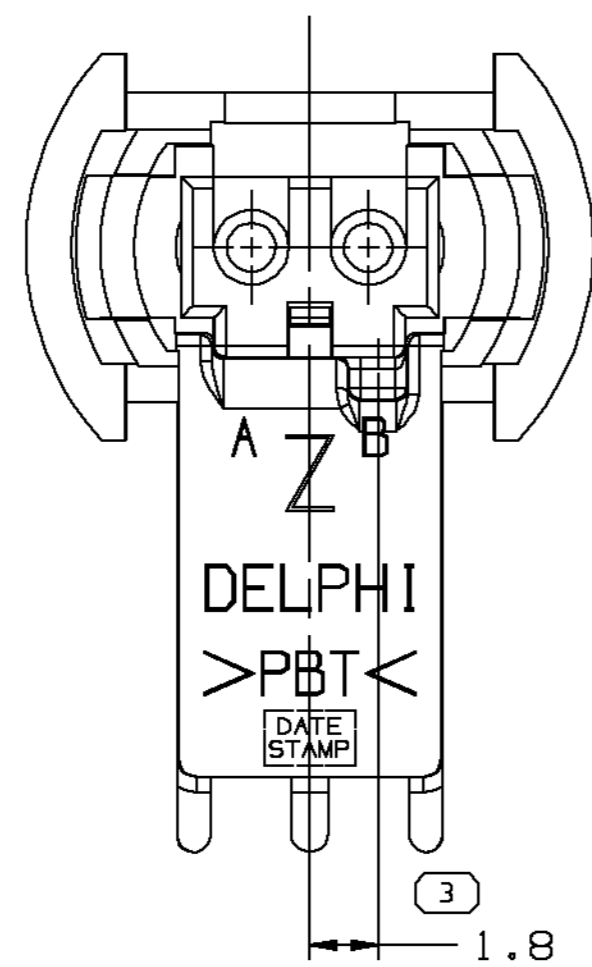
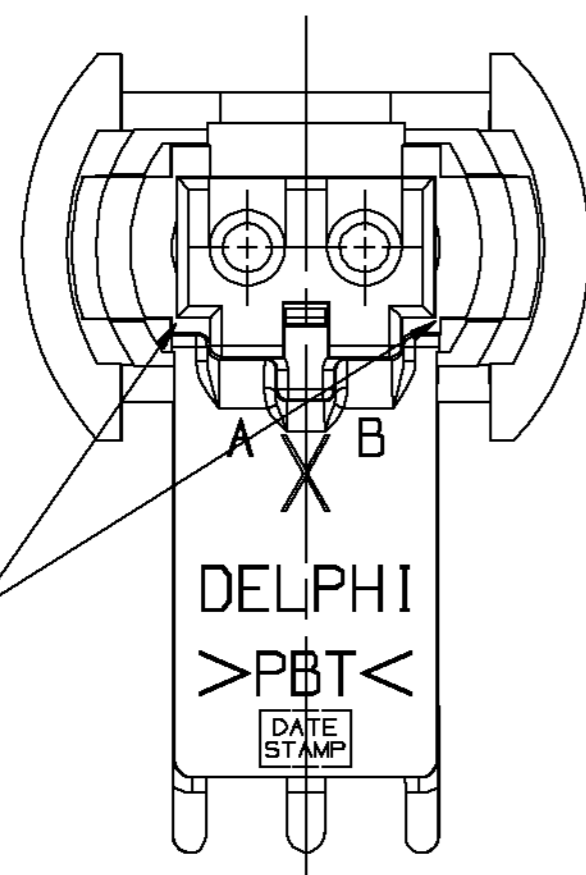
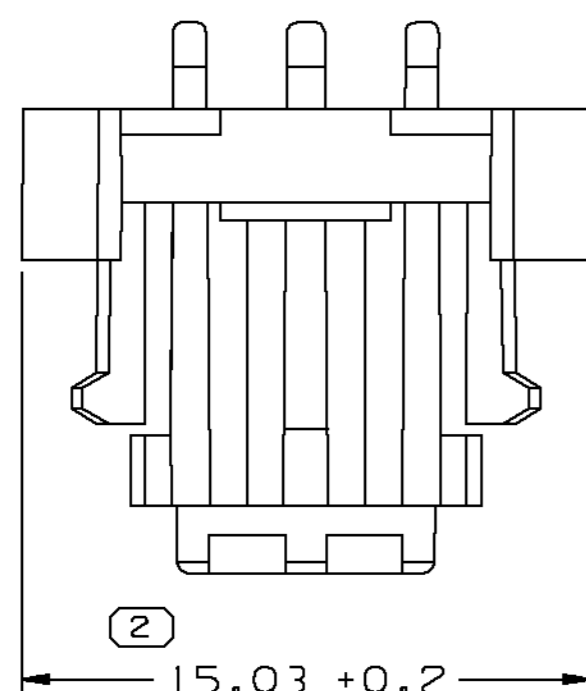


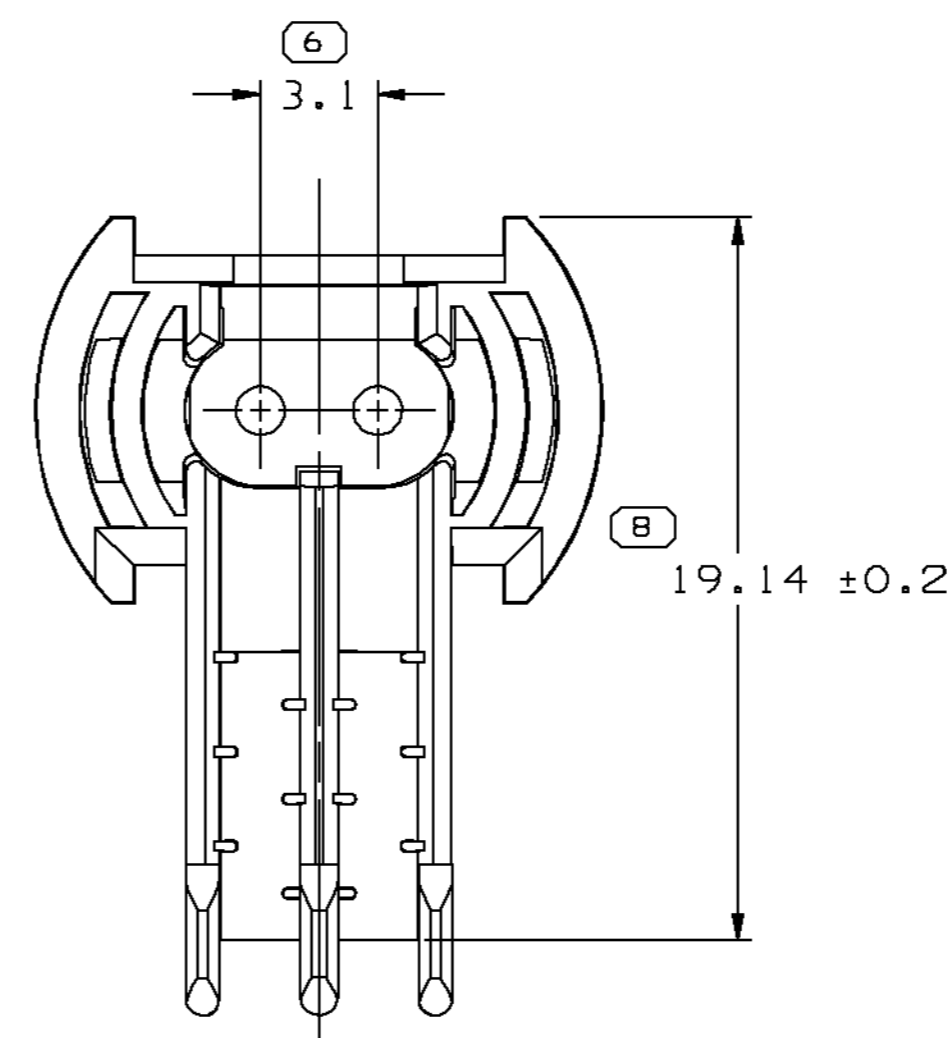
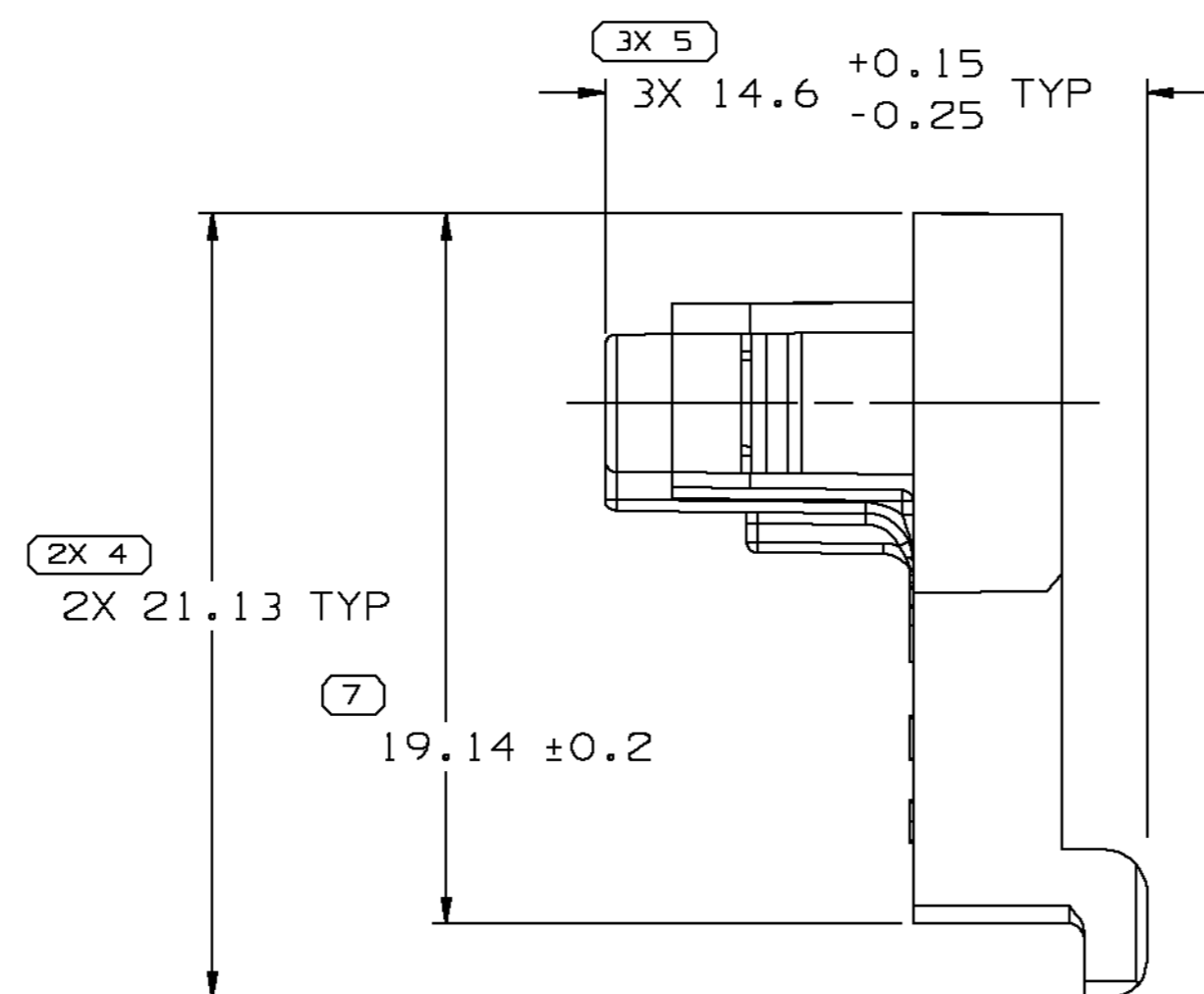
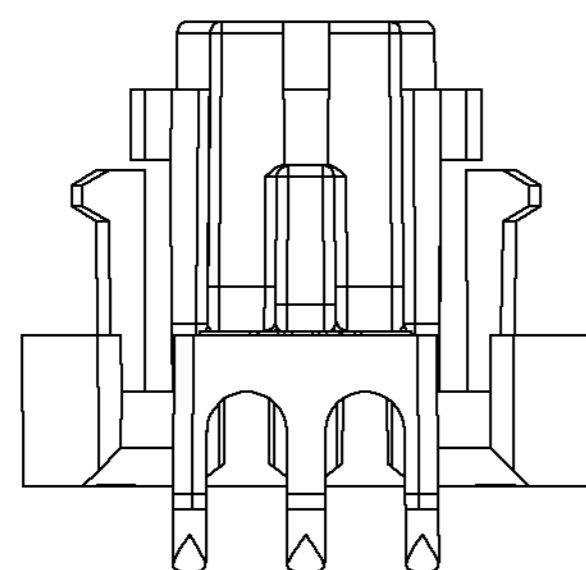
TYPE 102
SAME AS TYPE 101
EXCEPT AS SHOWN



TYPE 103
SAME AS TYPE 101
EXCEPT AS SHOWN



TYPE 101



SYMBOL DEFINITION

A DIMENSION WITHOUT AN INSPECTION REPORT SYMBOL OR DOES NOT REQUIRE INSPECTION. IT MAY BE CONTROLLED ON THE INDIVIDUAL COMPONENT DRAWING.	TOTAL NO OF INSPECTIONS REQUIRED	11
INDICATES THE DIMENSION IS SHOWN ON THE PART DRAWING AND THE TOOL MUST BE QUALIFIED AT 80% OF THE TOLERANCE SHOWN UNLESS SUPERSEDED BY A "TBT".	LAST NO. USED	8

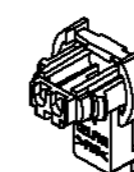
MISSING SYMBOLS

NO MISSING SYMBOL NUMBER	
--------------------------	--

DWG STATUS					ZONE	REVISION HISTORY	AUTH	DR	APVD1	APVD2
DATE	STG	REV	N/P	CHG						
15AP02	-	05	-	-	-	ALL PARTS-REVISED GRAPHICS	223458	CJP	CJP	MEF
03JN02	-	06	-	-	-	ALL PARTS - REVISED TOLERANCE 2 PLCS	225961	MAC	MAC	MEF
04DE02	-	07	-	-	-	ALL PARTS - REVISED GRAPHICS	233973	JAA	JAA	MEF
14AP03	-	08	-	-	-	ALL PARTS - ADDED RADII ADDED DIMS (3)PLCS, REVISED DIMS (6)PLCS	239455	DAD	DAD	MEF

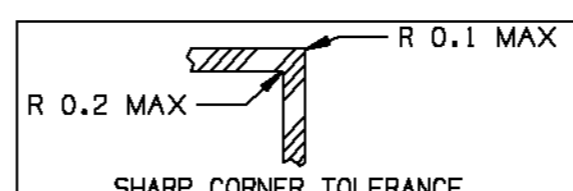
NOTES

- UNLESS OTHERWISE SPECIFIED AND/OR INDICATED: DIMENSIONS ARE TO FACE OF VIEW SHOWN AND AUTOMATICALLY ROUNDED BY COMPUTER FOR INSPECTION (SEE MATH MODEL FOR PRECISE DIMENSIONS). FOR ALL OTHER DIMENSIONS NOT SHOWN BUT REQUIRED FOR TOOL BUILD, SEE MATH MODEL FOR PRECISE TOOL PATH DATA.
- PARTS SHOWN ON THIS DRAWING USED IN ASSEMBLIES SHOWN ON TAXI 15359120.
- MATERIAL RECYCLING CODE >PBT< PER SAE J1344. (1.15)(0.1) RAISED CHARACTERS AS SHOWN TO BE LOCATED ON ANY EXTERIOR SURFACE. OPTIONAL CONSTRUCTION TO BE NO MATERIAL RECYCLING CODE.
- MATING COMPONENTS OR EQUIVALENT:
FERRITE BEAD 15373435
CUSTOMER PART INFLATOR MODULE
- THIS PART ACCEPTS THE FOLLOWING COMPONENTS OR EQUIVALENT:
CPA COVER 15373433
TERMINAL 15373434
- (1.2)(0.1) RAISED DELPHI CORPORATE BRAND TO BE LOCATED ON ANY EXTERIOR SURFACE, PREFERABLY VISIBLE AT FINAL ASSEMBLY. OPTIONAL CONSTRUCTION TO BE "PED" OR NO LOGO.



7	PROCESS SENSITIVE DIMENSION
---	-----------------------------

DIMENSIONS ENCLOSED IN () INDICATE REFERENCE DIMENSIONS AND NO TOLERANCE LIMITS ARE ESTABLISHED.	
FROM	TO
> 0	> 20
> 20	> 30
> 30	> 70
> 70	> 100
> 100	> 150
> 150	> 200
> 200	> 250
> 250	> 300
> 300	> 400
TOLERANCE UNLESS OTHERWISE SPECIFIED	
±0.15	±0.2
±0.3	±0.4
±0.5	±0.6
±0.8	±1
±1.2	±1.2
ANGULAR TOLERANCE ±2°	



DWG TYPE		PART DRAWING	
STYLE			
VOLUME (CM³)		DISTR CODE	
SEE CHART		D	
ROUTING			
6901			
UNLESS OTHERWISE SPECIFIED			
THIS DOCUMENT IS IN ACCORDANCE WITH ASME Y14.5M-1994 AS AMENDED BY THE GM GLOBAL DIMENSIONING AND TOLERANCING ADDENDUM - 1997. ALL GEOMETRIC TOLERANCES AND RELATED DATUMS APPLY FIRST. RULE #1 PERFECT FORM AT MMC DOES NOT APPLY WHEN RELATIONSHIP BETWEEN FEATURES IS ESTABLISHED BY ORIENTATION OR LOCATION TOLERANCES. SEPARATE POSITION CALLOUTS MAY BE GAGED SEPARATELY, REGARDLESS OF DATUM REFERENCE.			
ALL DIMENSIONS ARE IN MILLIMETERS			
REFERENCE			
THIRD ANGLE PROJECTION		DO NOT SCALE	
USE MATH DATA		UNIGRAPHICS	

DELPHI	
DELPHI PACKARD ELECTRIC SYSTEMS WARREN, OH	
DR	DATE
APVD1 K.B. DISKO	10JAO1
APVD2 K.B. DISKO	10JAO1
APVD3 MICHAEL E. FRANCIS	12JAO1
APVD4	
APVD5	
SUBSTANCES OF CONCERN AND RECYCLED CONTENT PER DELPHI-A 10949001	
MATERIAL SEE CHART	
DRAWING NAME	
TAXI CONN 2 F MIC/P 100W N/A	
DRAWING NUMBER	
15359117	
SIZE	SCALE
A1	5:1
FRAME NO	SHEET NO
1 OF 1	1 OF 1
STG	REV
-	08
N/P	
-	

15373432	06	-	R	101	M4695006 PLAS PBT YEL	X	0.568	15373431	15359111	
15359116	06	-	R	103	M4695009 PLAS PBT PPL	Z	0.570	15359119	15359113	
15359115	06	-	R	102	M4695003 PLAS PBT GRA	Y	0.570	15359118	15359112	
PART NO	REV	N/P	STG	STATUS	TYPE	MATERIAL SPEC AND COLOR	CODE	VOL CM³	ASSEMBLY P/N	MATING ASSEMBLY P/N

X-ON Electronics

Largest Supplier of Electrical and Electronic Components

Click to view similar products for [Automotive Connectors](#) category:

Click to view products by [APTIV](#) manufacturer:

Other Similar products are found below :

[003-018-000](#) [60403001](#) [60993906-B](#) [629515004020001](#) [M902-2131](#) [M902-2161](#) [72.330.1035.1](#) [73.353.4028.0](#) [F119300-B](#) [F166900](#)
[F258300-B](#) [F358300-B](#) [F407400](#) [F444110](#) [F487000](#) [F509500B-B](#) [827153-1](#) [8N1515-32-24P](#) [9-1326729-8](#) [925474-1](#) [928905-1](#) [964562-4](#)
[968782-1](#) [GT17SA-8DS-HU](#) [98891-1012](#) [98947-1016](#) [12004475-L](#) [12010290](#) [12010309-B](#) [12015454](#) [12020219-B](#) [12020308](#) [12041318-B](#)
[12052225-L](#) [12052466](#) [12059125](#) [12064869](#) [12004327-B](#) [12010503-B](#) [12015308](#) [12015384](#) [12015909](#) [1-21030-1](#) [12041254](#) [12041318](#)
[12047946-B](#) [12047957](#) [12047957-L](#) [12059473](#) [12066261](#)