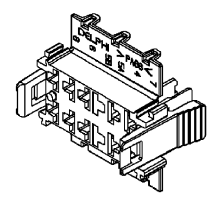
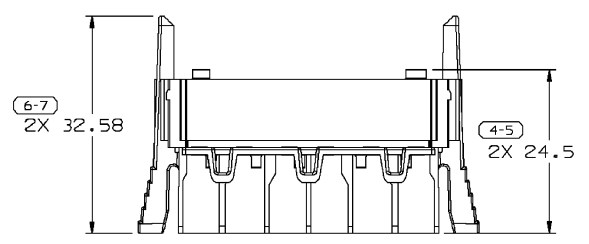
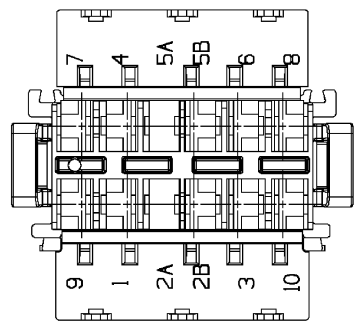
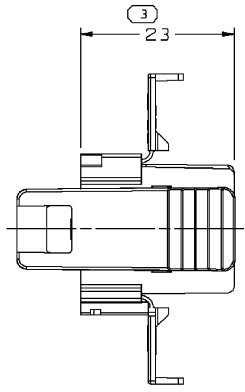
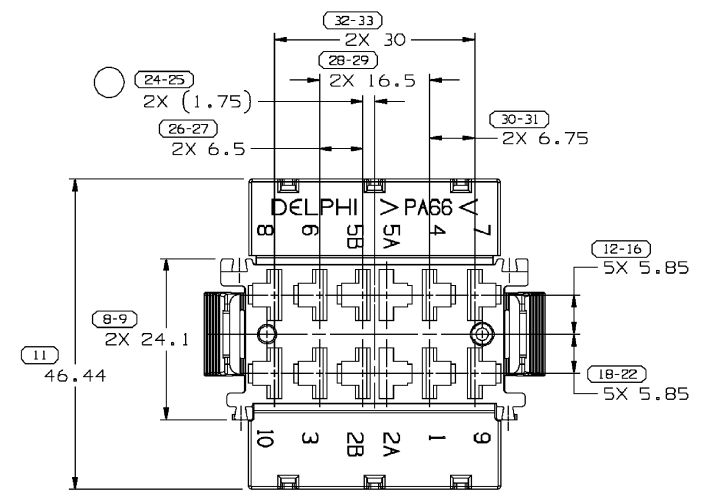
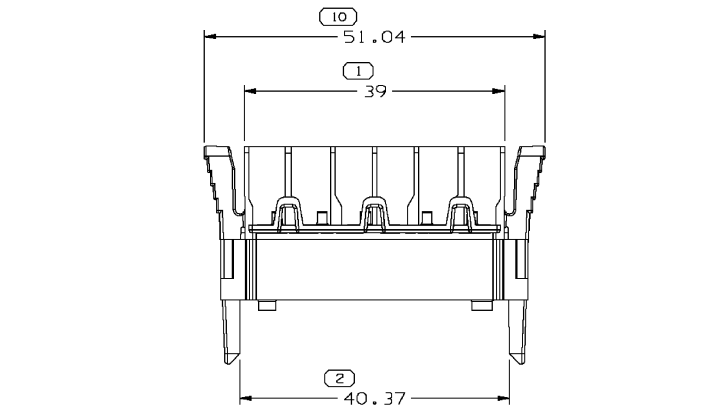


DELPHI PACKARD ELECTRIC SYSTEMS  
WARREN, OHIO 44486

SYMBOL DEFINITION		MISSING NUMBERS	
A DIMENSION WITHOUT AN INSPECTION REPORT SYMBOL ( ) DOES NOT REQUIRE INSPECTION. IT MAY BE CONTROLLED ON AN INDIVIDUAL COMPONENT DRAWING	TOTAL NO. OF SYMBOLS ON DRAWING	17,23,	
	LAST NO. USED	33	

DWG STATUS				ZONE		REVISION HISTORY		AUTH		DR		CK		APVD	
DATE	STG	REV	N/P	CHG											
13JUL07	R	02	AB	--											



**NOTES**

- UNLESS OTHERWISE SPECIFIED AND/OR INDICATED: DIMENSIONS ARE TO FACE OF VIEW SHOWN AND AUTOMATICALLY ROUNDED BY COMPUTER FOR INSPECTION (SEE MATH MODEL FOR PRECISE DIMENSIONS). FOR ALL OTHER DIMENSIONS NOT SHOWN BUT REQUIRED FOR TOOL BUILD, SEE MATH MODEL FOR PRECISE TOOL PATH DATA.
- THIS PART TO HAVE SURFACE FINISH SPI 6.
- MATERIAL RECYCLING CODE >PA66< PER SAE J1344 TO APPEAR ON PART.
- THIS PART NUMBER REPLACES P/N PG004606.

PART DRAWING	
STYLE	N/A
VOLUME (CM3)	N/A
DISTR CODE	D
REFERENCE	
DO NOT SCALE	SE
CAD	SOLID EDGE

**DELPHI**  
DELPHI PACKARD ELECTRIC SYSTEMS  
WARREN, OH

DR:	DATE:
APVD: J. RICHARDSON	17AUG00
APVD: T. PACK	17AUG00
APVD: MICHAEL KOENIG	21AUG00
APVD:	

SUBSTANCES OF CONCERN AND RECYCLED CONTENT PER DELPHI - A 10949001

MATERIAL: SEE DWG

DRAWING NAME: CONN 10 F M/P 630 BLK

DRAWING NUMBER: **15393805**

SIZE	SCALE	FRAME NO	SHEET NO	STG	REV	N/P
A0	NONE	1 OF 1	1 OF 1	R	02	AB

## X-ON Electronics

Largest Supplier of Electrical and Electronic Components

*Click to view similar products for [Automotive Connectors](#) category:*

*Click to view products by [APTIV](#) manufacturer:*

Other Similar products are found below :

[003-018-000](#) [60403001](#) [60993906-B](#) [M902-2131](#) [M902-2161](#) [72.330.1035.1](#) [73.353.4028.0](#) [F119300-B](#) [F166900](#) [F258300-B](#) [F358300-B](#)  
[F407400](#) [F444110](#) [F487000](#) [F509500B-B](#) [827153-1](#) [8N1515-32-24P](#) [9-1326729-8](#) [925474-1](#) [928905-1](#) [964562-4](#) [968782-1](#) [GT17SA-8DS-](#)  
[HU](#) [98891-1012](#) [98947-1016](#) [12004475-L](#) [12010290](#) [12010309-B](#) [12015454](#) [12020219-B](#) [12020308](#) [12041318-B](#) [12052225-L](#) [12052466](#)  
[12059125](#) [12064869](#) [12004327-B](#) [12010503-B](#) [12015308](#) [12015384](#) [12015909](#) [1-21030-1](#) [12041254](#) [12041318](#) [12047946-B](#) [12047957](#)  
[12047957-L](#) [12059473](#) [12066261](#) [12110546](#)