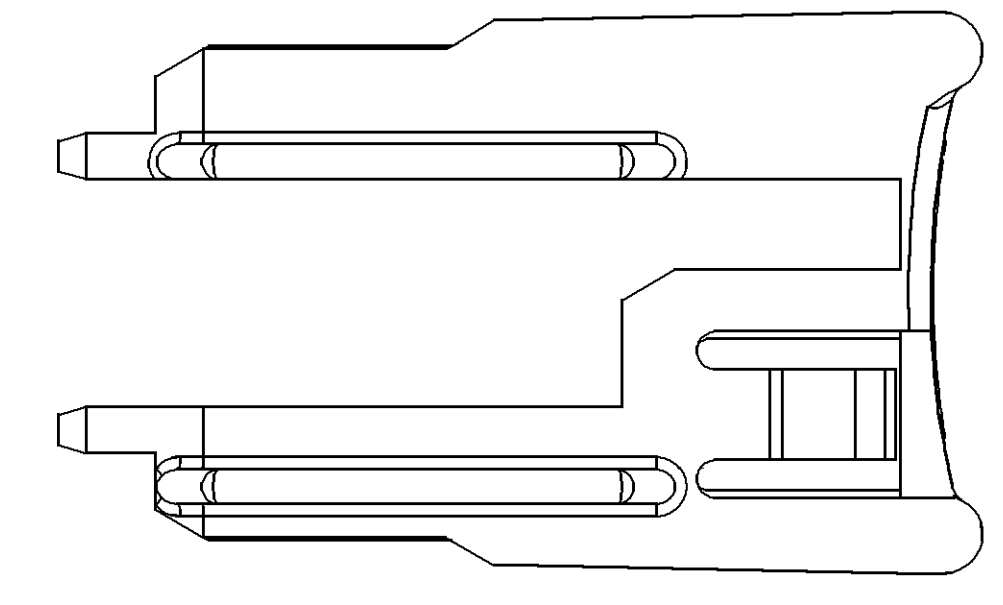
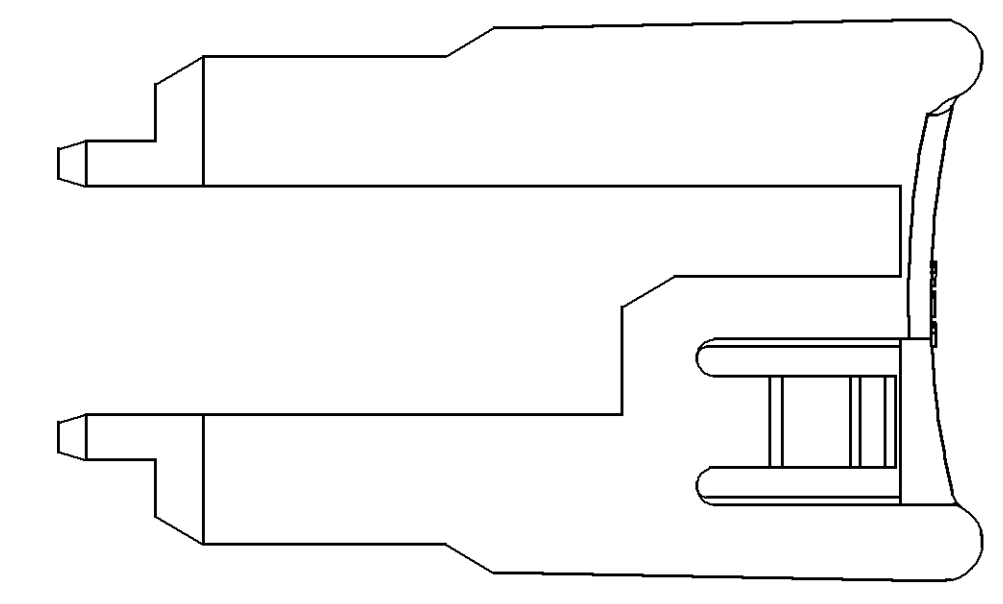
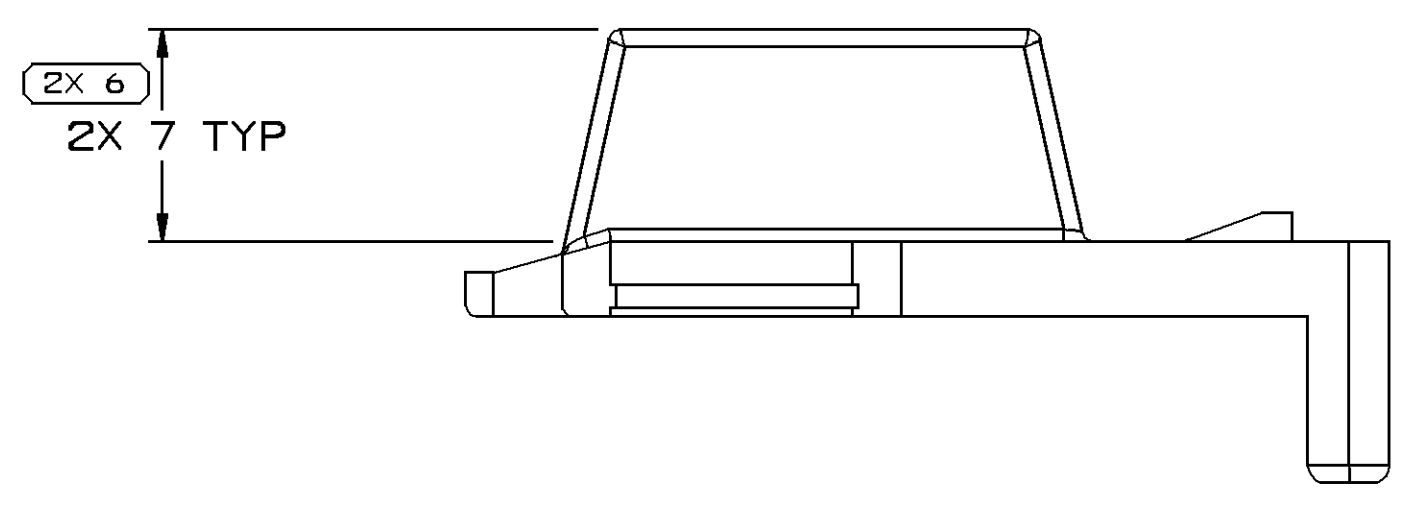
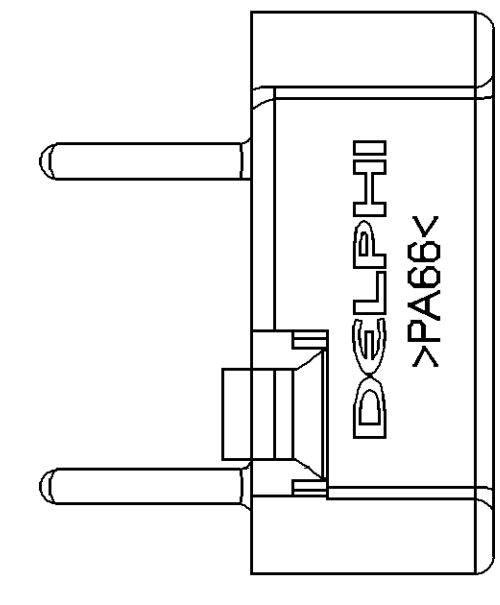


SYMBOL DEFINITION		TOTAL NO OF INSPECTIONS REQUIRED	10
A DIMENSION WITHOUT AN INSPECTION REPORT SYMBOL DOES NOT REQUIRE INSPECTION. IT MAY BE CONTROLLED ON THE INDIVIDUAL COMPONENT DRAWING.		LAST NO. USED	7

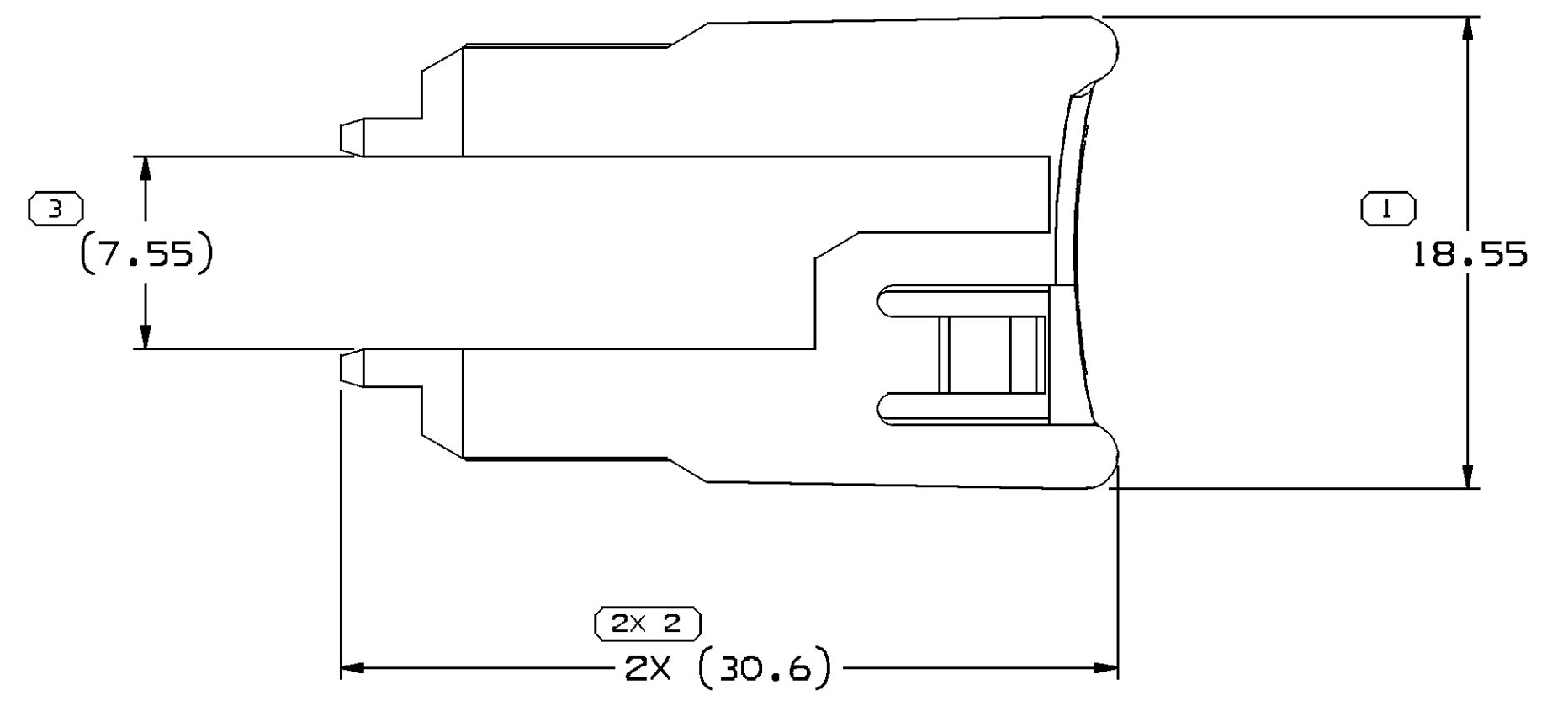
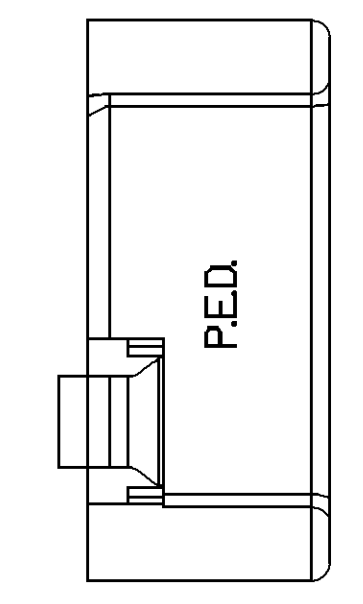
DWG STATUS				MISSING SYMBOLS		REVISION HISTORY		AUTH	DR	AP/VD	AP/VD
DATE	STG	REV	N/P	CHG	ZONE	NO MISSING SYMBOL NUMBER					
14AU02	R	01	-	-		15423525 - RELEASED	228708	RH	RH	JH	JH
14AU02	R	02	-	-		12033872 - WAS SEPARATE DWG AND 18.55 WAS 18.6	228711	RH	RH	JH	JH
11AP03	R	03	-	-		ALL PARTS - ADDED INJECTION MOLD PULL-OUT RIBS	239764	RCH	RCH	JH	JH
12JUL06	R	04	-	-		15423525 - MAT'L SPEC WAS M3592002	282463	CCV	AUG	J85	J85
30NO06	R	05	-	-		12033872 - MAT'L SPEC WAS M3592002	287441	BLG	MRF	GG1	GG1



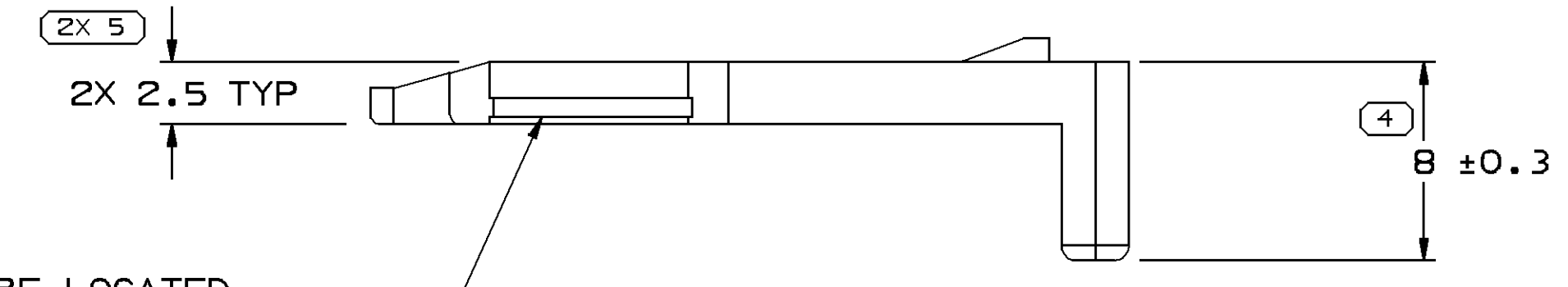
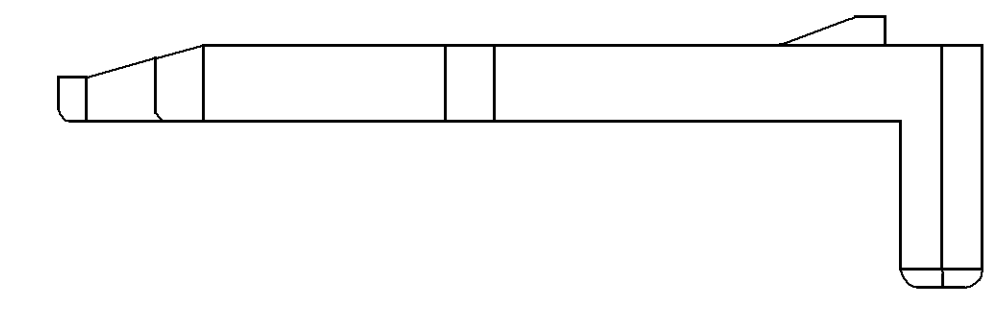
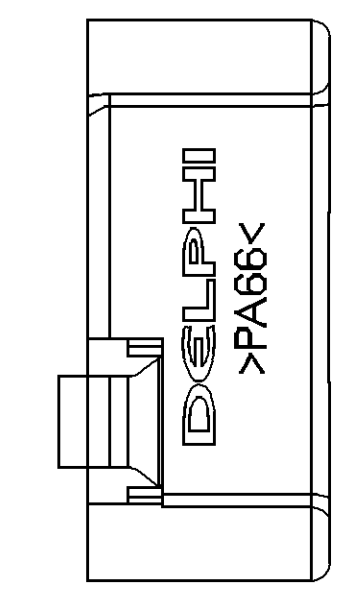
TYPE 102
SAME AS TYPE 101
EXCEPT AS SHOWN



OPTIONAL CONSTRUCTION



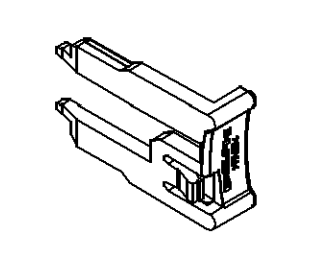
TYPE 101



INJECTION MOLD PULL-OUT RIBS TO BE LOCATED ANYWHERE ALONG THIS SURFACE (BOTH SIDES OF PART).

NOTES

- UNLESS OTHERWISE SPECIFIED AND/OR INDICATED:
DIMENSIONS ARE TO FACE OF VIEW SHOWN AND AUTOMATICALLY ROUNDED BY COMPUTER FOR INSPECTION (SEE MATH MODEL FOR PRECISE DIMENSIONS). FOR ALL OTHER DIMENSIONS NOT SHOWN BUT REQUIRED FOR TOOL BUILD, SEE MATH MODEL FOR PRECISE TOOL PATH DATA.
- MATERIAL RECYCLING CODE PER ISO 11469. (1)X(0.1) RAISED CHARACTERS AS SHOWN TO BE LOCATED ON ANY EXTERIOR SURFACE. OPTIONAL CONSTRUCTION TO BE NO MATERIAL RECYCLING CODE.
- THIS PART IS NOT CONTROLLED FOR AUTOMATIC FEEDING.
- (1)X(0.1) RAISED DELPHI CORPORATE BRAND TO BE LOCATED ON ANY EXTERIOR SURFACE, PREFERABLY VISIBLE AT FINAL ASSEMBLY. OPTIONAL CONSTRUCTION TO BE "PED." OR NO LOGO.



PART DRAWING	
STYLE	D
VOLUME (C/H)	SEE CHART
DISTR CODE	

UNLESS OTHERWISE SPECIFIED
THIS DOCUMENT IS IN ACCORDANCE WITH ASME Y14.5M-1994 AS MODIFIED BY THE IN CHARGE OF DRAWING AND TOLERANCE ADMINISTRATION. ALL DIMENSIONS UNLESS OTHERWISE SPECIFIED SHALL BE UNLESS OTHERWISE SPECIFIED. DIMENSIONS NOT SHOWN BUT REQUIRED FOR TOOL BUILD, SEE MATH MODEL FOR PRECISE TOOL PATH DATA. DIMENSIONS ARE IN MILLIMETERS.

DIMENSIONAL RANGE (MM)		TOLERANCE	
FROM	TO	±	ANGULAR TOLERANCE
> 0	> 30	±0.15	±0.5
> 30	> 70	±0.2	±0.6
> 70	> 100	±0.3	±0.8
> 100	> 150	±0.4	±1.0
> 150	> 200	±0.5	±1.2
> 200	> 250	±0.6	±1.5
> 250	> 300	±0.8	±2.0
> 300	> 400	±1.0	±2.5

DELPHI
DELPHI PACKARD ELECTRIC SYSTEMS
WARREN, OH

DR	DATE
APV01 R, HERMOSILLO	14AU02
APV02 R, HERMOSILLO	22AU02
APV03 J, HORIUCHI	23AU02
APV04	
APV05	

UNLESS OTHERWISE SPECIFIED
SUBSTANCES OF CONCERN AND RECYCLED CONTENT PER DELPHI 10949001

MATERIAL
SEE CHART

DRAWING NAME
TAXI LOCK SECONDARY TPA M/P

DRAWING NUMBER
15443903

SIZE
A0

SCALE
4:1

FRAME NO
1 OF 1

SHEET NO
1 OF 1

REV
R 05

N/P
-

PART NO	STG	REV	N/P	STATUS	MATERIAL SPECIFICATION AND COLOR	TYPE	MATING CONNECTOR	VOL CM ³
15423525	R	02	-		M3592024 PA66 HS IM CRM	102	15423524	1.119
12033872	R	11	-		M3592024 PA66 HS IM CRM	101	12033871 & 12034003	0.873

X-ON Electronics

Largest Supplier of Electrical and Electronic Components

Click to view similar products for [Automotive Connectors](#) category:

Click to view products by [APTIV](#) manufacturer:

Other Similar products are found below :

[003-018-000](#) [60403001](#) [60993906-B](#) [M902-2131](#) [M902-2161](#) [72.330.1035.1](#) [73.353.4028.0](#) [F119300-B](#) [F166900](#) [F258300-B](#) [F358300-B](#)
[F407400](#) [F444110](#) [F487000](#) [F509500B-B](#) [827153-1](#) [8N1515-32-24P](#) [9-1326729-8](#) [925474-1](#) [928905-1](#) [964562-4](#) [968782-1](#) [GT17SA-8DS-](#)
[HU](#) [98891-1012](#) [98947-1016](#) [12004475-L](#) [12010290](#) [12010309-B](#) [12015454](#) [12020219-B](#) [12020308](#) [12041318-B](#) [12052225-L](#) [12052466](#)
[12059125](#) [12064869](#) [12004327-B](#) [12010503-B](#) [12015308](#) [12015384](#) [12015909](#) [1-21030-1](#) [12041254](#) [12041318](#) [12047946-B](#) [12047957](#)
[12047957-L](#) [12059473](#) [12066261](#) [12110546](#)