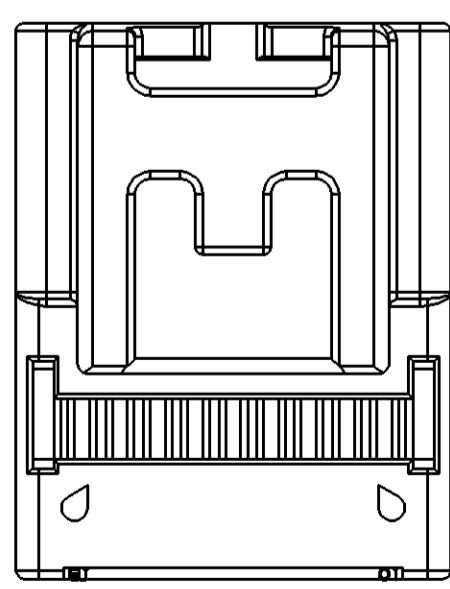
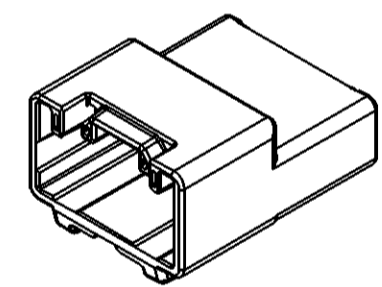
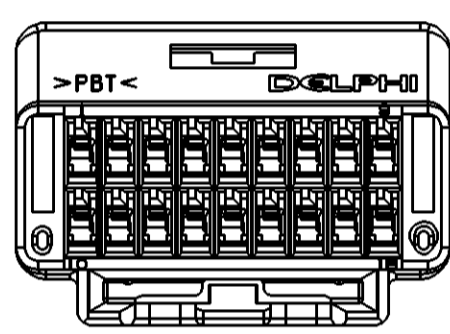
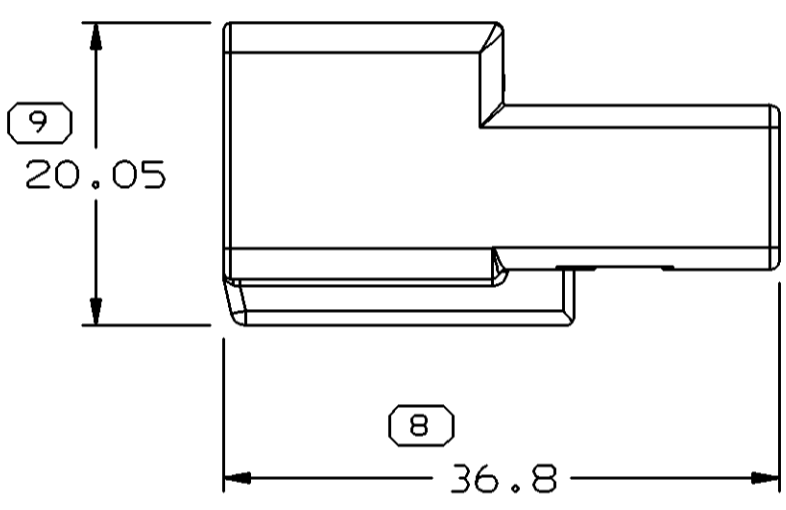
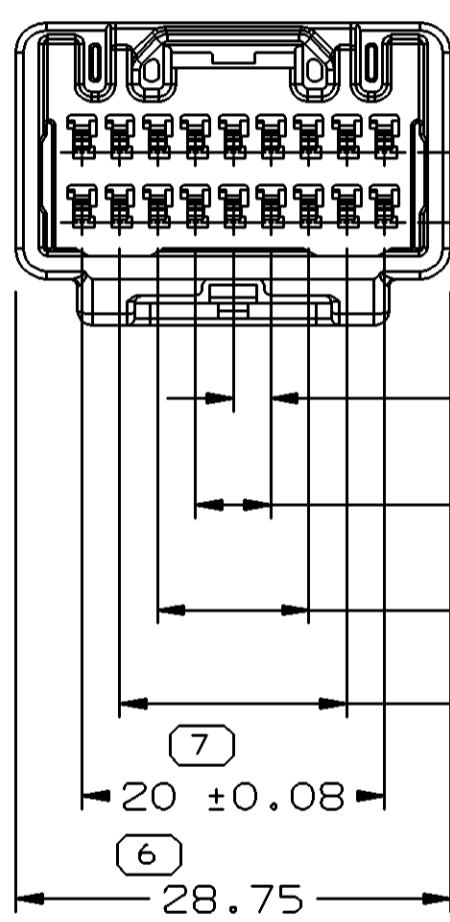
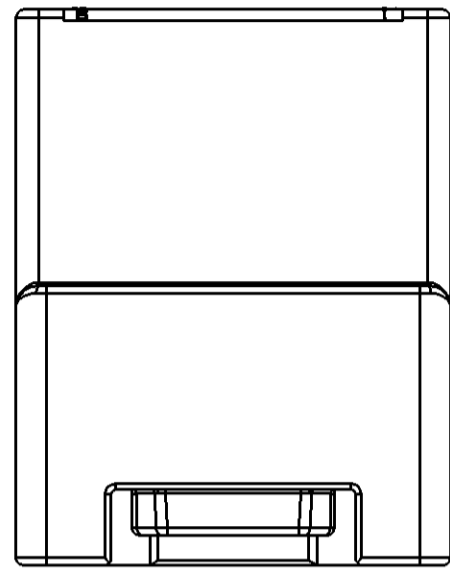


| SYMBOL DEFINITION | | MISSING SYMBOLS | |
|--|----------------------------------|-----------------|--------------------------|
| A DIMENSION WITHOUT AN INSPECTION REPORT SYMBOL DOES NOT REQUIRE INSPECTION. IT MAY BE CONTROLLED ON THE INDIVIDUAL COMPONENT DRAWING. | TOTAL NO OF INSPECTIONS REQUIRED | 9 | NO MISSING SYMBOL NUMBER |
| | LAST NO. USED | 9 | |

| DWG STATUS | | | | | ZONE | REVISION HISTORY | AUTH | DR | APVD 1 | APVD 2 |
|------------|-----|-----|-----|-----|------|------------------|--------|-----|--------|--------|
| DATE | STG | REV | N/P | CHG | | | | | | |
| 05FE02 | R | 01 | - | - | | RELEASED | 219179 | JS | JS | TV |
| 100C02 | R | 01 | AA | | | REVISED NOTE 2 | 231461 | LMB | LMB | TV |



NOTES

- UNLESS OTHERWISE SPECIFIED AND/OR INDICATED: DIMENSIONS ARE TO FACE OF VIEW SHOWN AND AUTOMATICALLY ROUNDED BY COMPUTER FOR INSPECTION (SEE MATH MODEL FOR PRECISE DIMENSIONS). FOR ALL OTHER DIMENSIONS NOT SHOWN BUT REQUIRED FOR TOOL BUILD, SEE MATH MODEL FOR PRECISE TOOL PATH DATA.
- MATING COMPONENTS OR EQUIVALENT:
CONNECTOR - 15427367
TERMINAL SECONDARY LOCK - 15359028
- CAVITIES TO ACCEPT 040III TERMINAL 15355486 OR EQUIVALENT.

| | | | |
|--|-------|--------------|---|
| DWG TYPE | | PART DRAWING | |
| STYLE | | | |
| VOLUME (CM ³) | 6.549 | DISTR CODE | D |
| ROUTING | 6900 | | |
| UNLESS OTHERWISE SPECIFIED | | | |
| THIS DOCUMENT IS IN ACCORDANCE WITH ASME Y14.5M-1994 AS AMENDED BY THE GM GLOBAL DIMENSIONING AND TOLERANCING ADDENDUM - 1997. ALL GEOMETRIC TOLERANCES AND RELATED DATUMS APPLY RFS. RULE #1 (PERFECT FORM AT MMC) DOES NOT APPLY WHEN RELATIONSHIP BETWEEN FEATURES IS ESTABLISHED BY ORIENTATION OR LOCATION TOLERANCES. SEPARATE POSITION CALLOUTS MAY BE GAGED SEPARATELY, REGARDLESS OF DATUM REFERENCE. | | | |
| ALL DIMENSIONS ARE IN MILLIMETERS | | | |
| REFERENCE | | | |
| THIRD ANGLE PROJECTION | | DO NOT SCALE | |
| USE MATH DATA | | UNIGRAPHICS | |

| | | | |
|---|------------|----------|----------|
| DELPHI | | | |
| DELPHI PACKARD ELECTRIC SYSTEMS WARREN, OH | | | |
| | | | DATE |
| DR | | | |
| APVD1 | JOE SUDIK | 14FE02 | |
| APVD2 | JOE SUDIK | 14FE02 | |
| APVD3 | T. VOLPONE | 15FE02 | |
| APVD4 | | | |
| APVD5 | | | |
| SUBSTANCES OF CONCERN AND RECYCLED CONTENT PER DELPHI 10949001 | | | |
| MATERIAL M4695001 | | | |
| DRAWING NAME CONN 18 M 040 III | | | |
| DRAWING NUMBER 15427361 | | | |
| SIZE | SCALE | FRAME NO | SHEET NO |
| A2 | 2:1 | 1 OF 1 | 1 OF 1 |
| | | STG | REV |
| | | R | 01 |
| | | N/P | AA |

| | | | |
|--------------------------------------|-------|-----------|------|
| R 0.2 MAX | | R 0.1 MAX | |
| SHARP CORNER TOLERANCE | | | |
| DIMENSIONAL RANGE (MM) | | CHART F | |
| FROM | 0 | > | 10 |
| TO | 10 | | 50 |
| TOLERANCE UNLESS OTHERWISE SPECIFIED | | | |
| | ±0.15 | | ±0.2 |
| ANGULAR TOLERANCE ±1° | | | |

X-ON Electronics

Largest Supplier of Electrical and Electronic Components

Click to view similar products for [Automotive Connectors](#) category:

Click to view products by [APTIV](#) manufacturer:

Other Similar products are found below :

[003-018-000](#) [60403001](#) [60993906-B](#) [M902-2131](#) [M902-2161](#) [72.330.1035.1](#) [73.353.4028.0](#) [F119300-B](#) [F166900](#) [F258300-B](#) [F358300-B](#)
[F407400](#) [F444110](#) [F487000](#) [F509500B-B](#) [827153-1](#) [8N1515-32-24P](#) [9-1326729-8](#) [925474-1](#) [928905-1](#) [964562-4](#) [968782-1](#) [GT17SA-8DS-](#)
[HU](#) [98891-1012](#) [98947-1016](#) [12004475-L](#) [12010290](#) [12010309-B](#) [12015454](#) [12020219-B](#) [12020308](#) [12041318-B](#) [12052225-L](#) [12052466](#)
[12059125](#) [12064869](#) [12004327-B](#) [12010503-B](#) [12015308](#) [12015384](#) [12015909](#) [1-21030-1](#) [12041254](#) [12041318](#) [12047946-B](#) [12047957](#)
[12047957-L](#) [12059473](#) [12066261](#) [12110546](#)