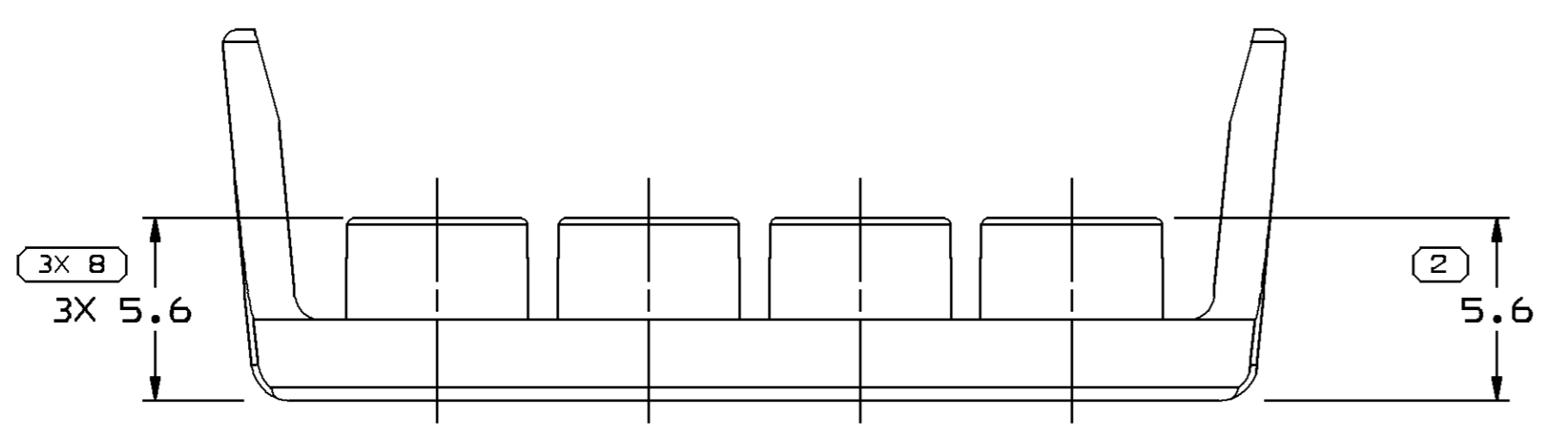
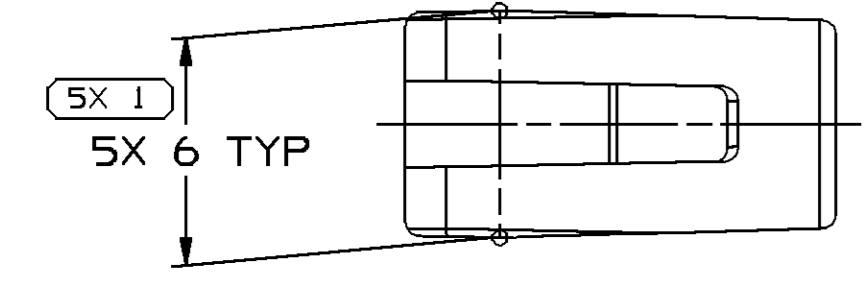
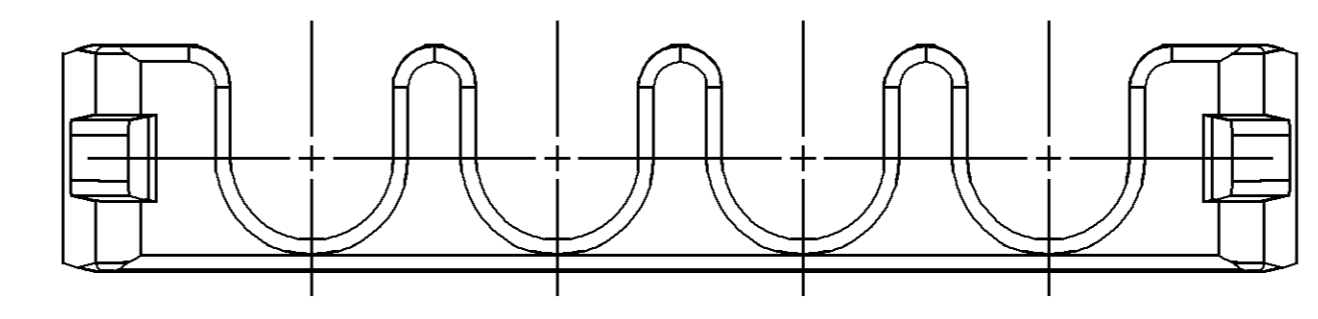
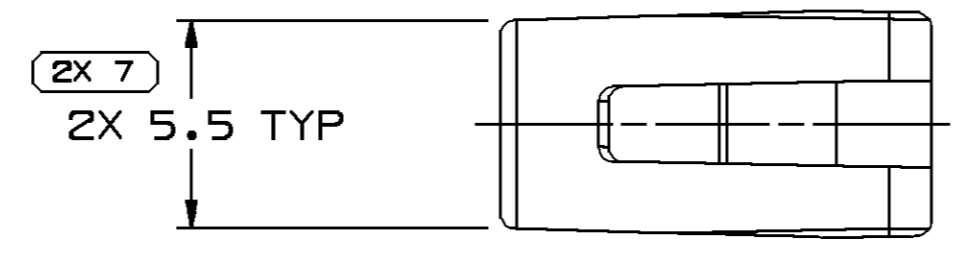
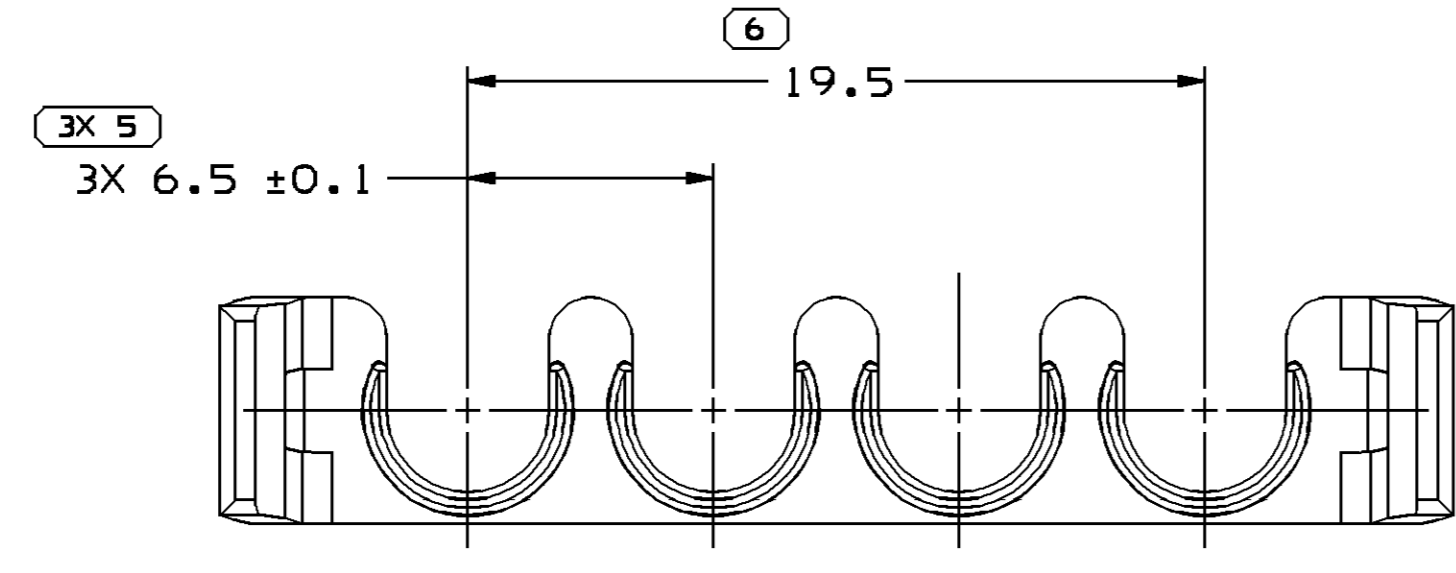
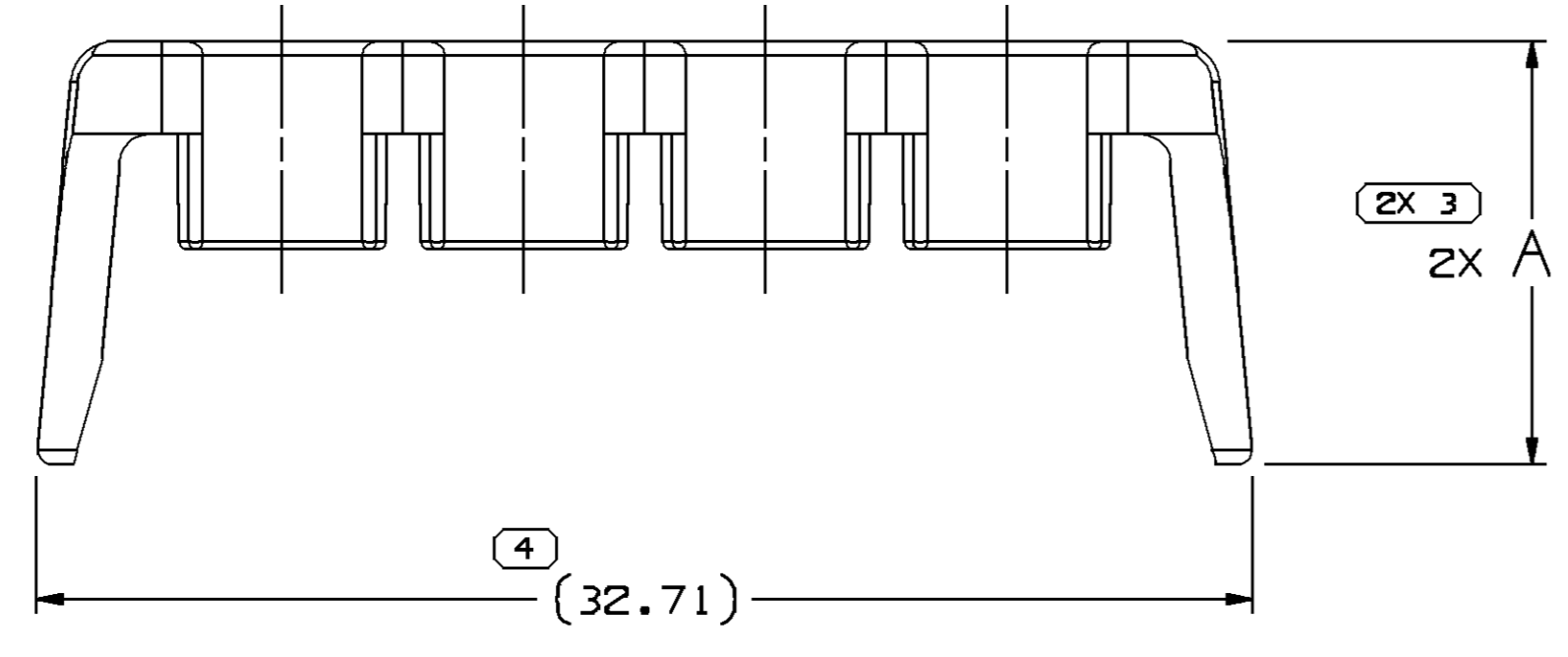
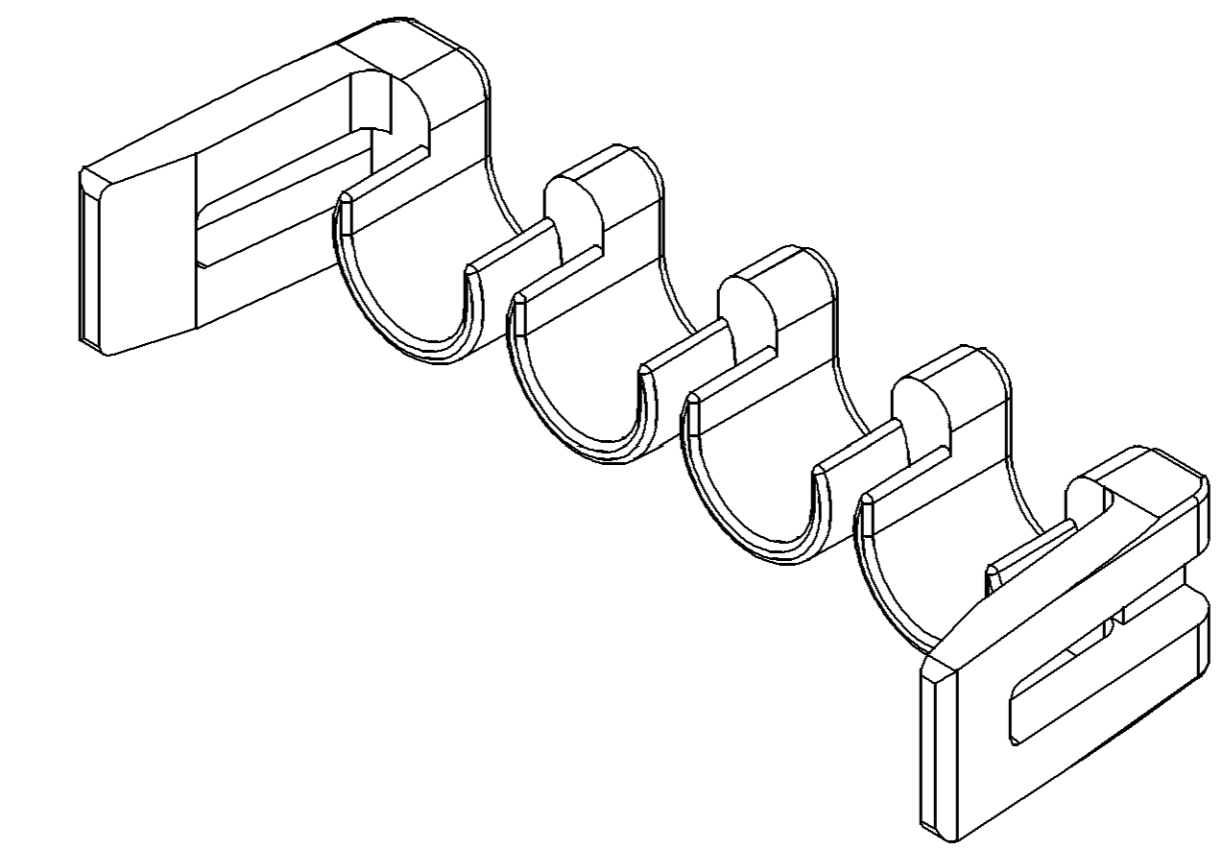


SYMBOL DEFINITION		MISSING SYMBOLS	
A DIMENSION WITHOUT AN INSPECTION REPORT SYMBOL () DOES NOT REQUIRE INSPECTION. IT MAY BE CONTROLLED ON THE INDIVIDUAL COMPONENT DRAWING.	TOTAL NO OF INSPECTIONS REQUIRED	NO MISSING SYMBOL NUMBER	
	18		
	LAST NO. USED		
	8		

DWG STATUS				REVISION HISTORY				AUTH		DR		AP/VD	
DATE	STG	REV	N/P	CHG	ZONE								
14AU07	R	01	-	-		CREATED TAXI - 15430898 WAS SEPARATE DRAWING, ADDED 13662315 - RELEASED				402095	RH	RH	TAV
23JA08	R	02	-	-		ALL PARTS - DIM A WAS 2X 11.4				403445	PJC	PJC	TAV
11MR09	R	03	-	-		13662315 - MAT'L SPEC WAS GRAY COLOR				407508	JBD	AUG	TAV
26MR09	R	04	-	-		13662315 - CREATED CUSTOMER PART DRAWING & MATING CONN ASM WAS 13649974				407643	JTZ	FKV	TAV
04AP09	R	05	-	-		15430898 - UPDATED PDM ATTRIBUTES				407667	ARC	JAA	DGL



NOTES

- UNLESS OTHERWISE SPECIFIED AND/OR INDICATED:
DIMENSIONS ARE TO FACE OF VIEW SHOWN AND AUTOMATICALLY ROUNDED BY COMPUTER FOR INSPECTION (SEE MATH MODEL FOR PRECISE DIMENSIONS). FOR ALL OTHER DIMENSIONS NOT SHOWN BUT REQUIRED FOR TOOL BUILD, SEE MATH MODEL FOR PRECISE TOOL PATH DATA.
- REFERENCE MATING COMPONENTS OR EQUIVALENT:
ASM CONN - SEE CHART
- (1.5)X(0.1) RAISED DELPHI CORPORATE BRAND TO BE LOCATED ON ANY EXTERIOR SURFACE, PREFERABLY VISIBLE AT FINAL ASSEMBLY. OPTIONAL CONSTRUCTION TO BE "PED" OR NO LOGO.
- THIS PRODUCT IS NOT CATEGORIZED AS AN APPEARANCE ITEM, MINOR IMPERFECTIONS INCLUDING, BUT NOT LIMITED TO, FLOW MARKS, COLOR BLEMISHES, GATE VESTIGE, AND SOFT FLASH THAT DO NOT AFFECT THE FIT, FORM, OR FUNCTION OF THE PART ARE PERMISSIBLE PER DPNP-4.7-CS-01.

PART NO	REV	N/P	STATUS	MATERIAL SPECIFICATION AND COLOR	MATING CONNECTOR ASM	DIMENSION A
13662315	02	AA		POLYAMIDE COMPOUND BLK	13711486	11.4 +0.44/-0.3
15430898	01	AC		POLYAMIDE COMPOUND GRAY	15326631, 15326633	11.4

DIMENSIONAL RANGE (MM)	TOLERANCE UNLESS OTHERWISE SPECIFIED
FROM > 0 TO > 20	±0.15
> 20 TO > 30	±0.2
> 30 TO > 70	±0.3
> 70 TO > 100	±0.4
> 100 TO > 150	±0.5
> 150 TO > 200	±0.6
> 200 TO > 250	±0.8
> 250 TO > 300	±1
> 300 TO > 400	±1.2

DWG TYPE		PART DRAWING	
STYLE	GMT - 360	VOLUME (OF)	0, 418
DISTR CODE	D		
UNLESS OTHERWISE SPECIFIED			
THIS DOCUMENT IS IN ACCORDANCE WITH ASME Y14.5M-1994 AS AMENDED BY THE NEW SCHEMATIC DIMENSIONING AND TOLERANCE ADDENDUMS. SEPARATE WRITERS OF FEATURES MAY BE BASED SEPARATELY PER POLICE OF DATUM REFERENCES.			
ALL DIMENSIONS ARE IN MILLIMETERS			
THIRD ANGLE PROJECTION			
DO NOT SCALE			
USE MATH DATA			

DELPHI
DELPHI PACKARD ELECTRICAL/ELECTRONIC ARCHITECTURE
WARREN, OH

DR	DATE
APV01 ROBERT HURD	14AU07
APV02 ROBERT HURD	14AU07
APV03 THOMAS A VOLDPONE	15AU07
APV04	
APV05	

UNLESS OTHERWISE SPECIFIED
SUBSTANCES OF CONCERN AND RECYCLED CONTENT PER DELPHI 10949001

SEE CHART

DRAWING NAME
TAXI LOCK SECONDARY TPA 0T

DRAWING NUMBER
13662458

SIZE A0 SCALE 5:1 FRGME NO 1 OF 1 SHEET NO 1 OF 1 REV N/P 05

X-ON Electronics

Largest Supplier of Electrical and Electronic Components

Click to view similar products for [Automotive Connectors](#) category:

Click to view products by [APTIV](#) manufacturer:

Other Similar products are found below :

[003-018-000](#) [60403001](#) [60993906-B](#) [629515004020001](#) [M902-2131](#) [M902-2161](#) [72.330.1035.1](#) [73.353.4028.0](#) [F119300-B](#) [F166900](#)
[F258300-B](#) [F358300-B](#) [F407400](#) [F444110](#) [F487000](#) [F509500B-B](#) [827153-1](#) [8N1515-32-24P](#) [9-1326729-8](#) [925474-1](#) [928905-1](#) [964562-4](#)
[968782-1](#) [GT17SA-8DS-HU](#) [98891-1012](#) [98947-1016](#) [12004475-L](#) [12010290](#) [12010309-B](#) [12015454](#) [12020219-B](#) [12020308](#) [12041318-B](#)
[12052225-L](#) [12052466](#) [12059125](#) [12064869](#) [12004327-B](#) [12010503-B](#) [12015308](#) [12015384](#) [12015909](#) [1-21030-1](#) [12041254](#) [12041318](#)
[12047946-B](#) [12047957](#) [12047957-L](#) [12059473](#) [12066261](#)