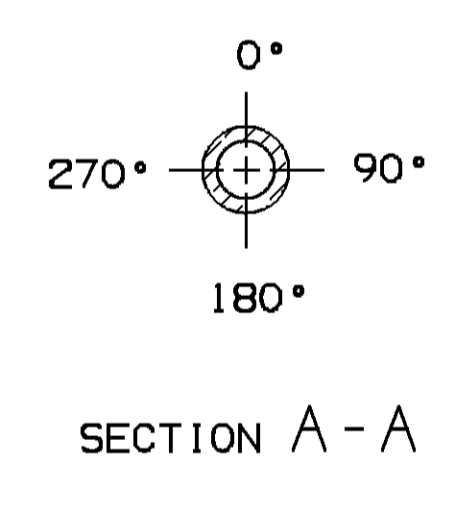
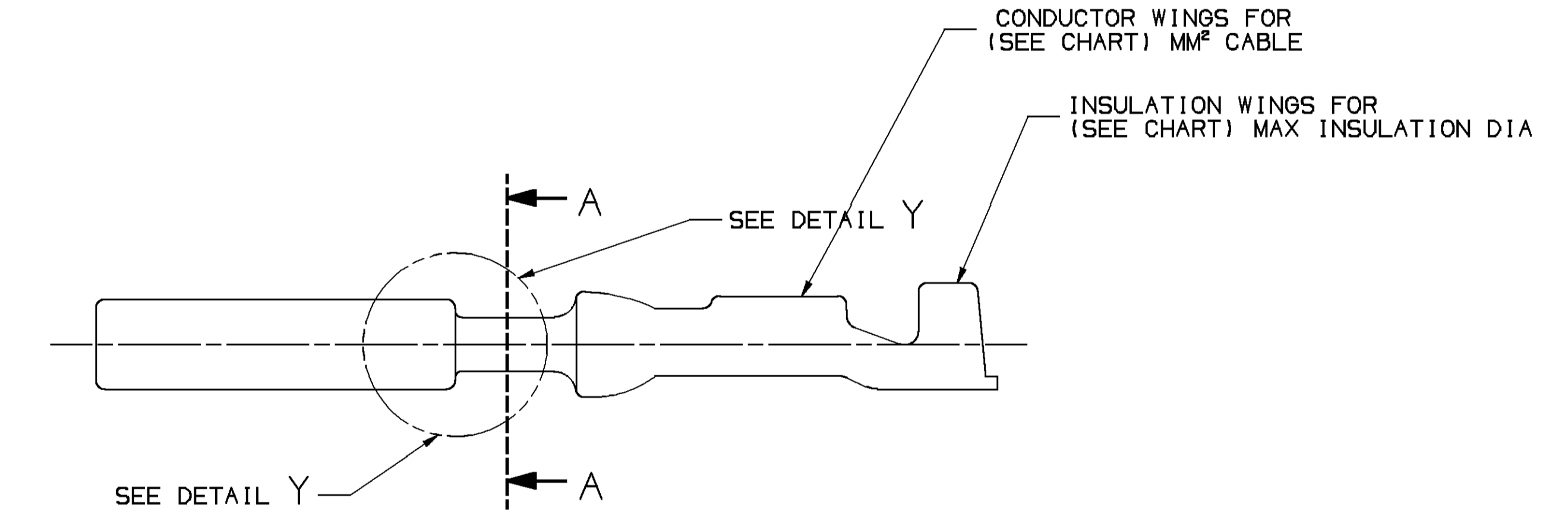
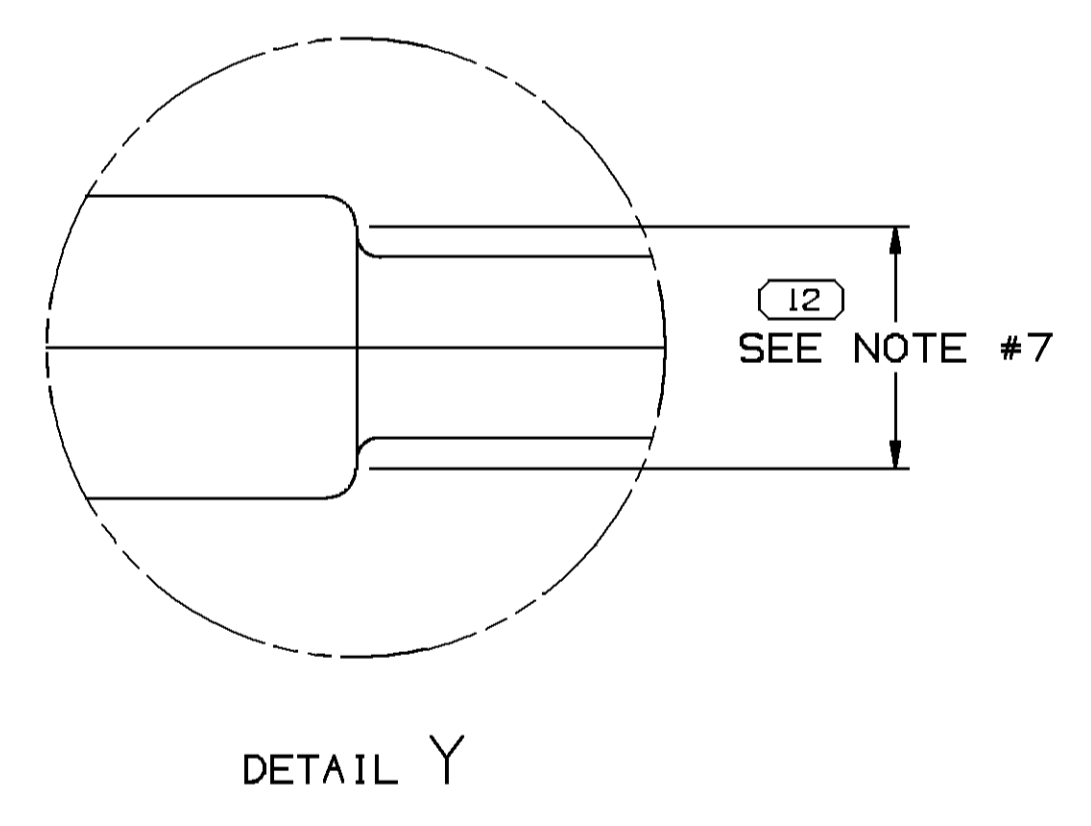
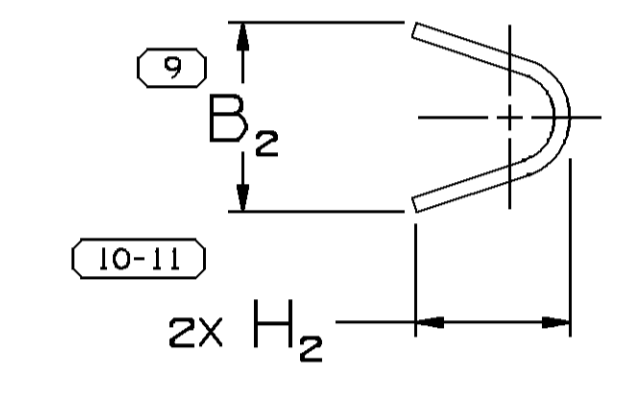
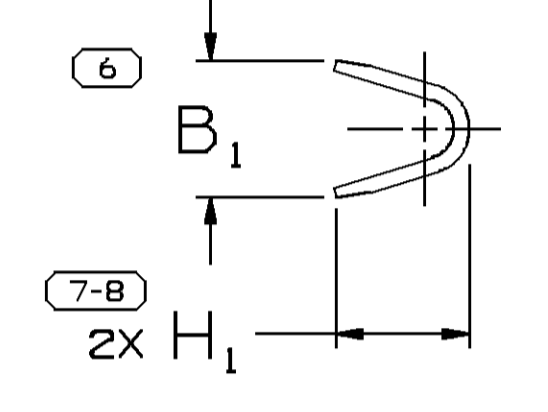
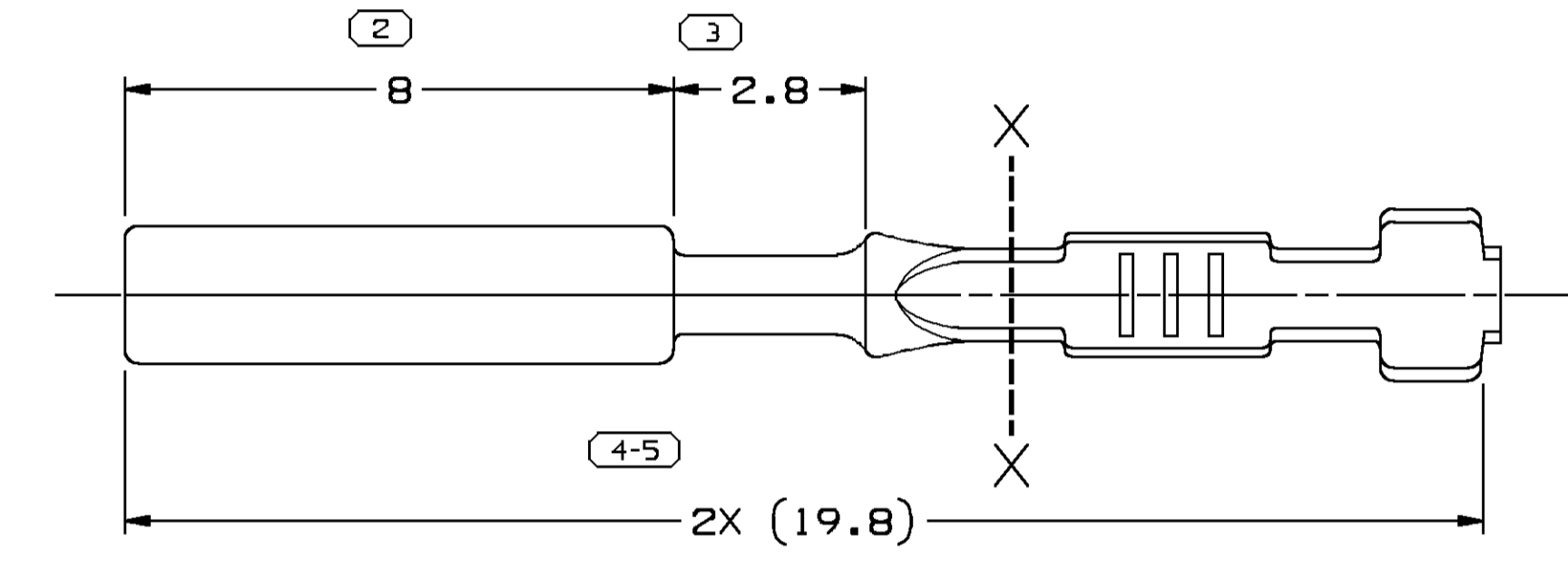
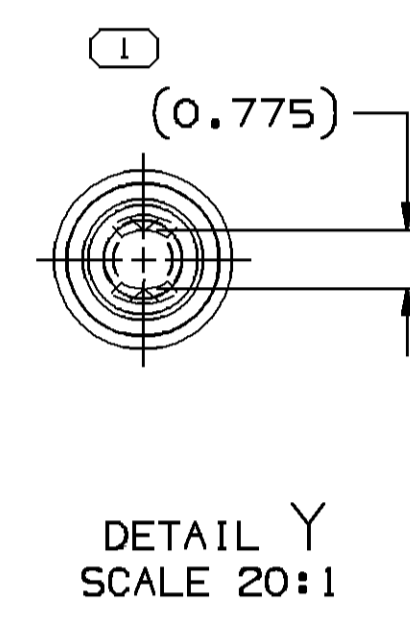


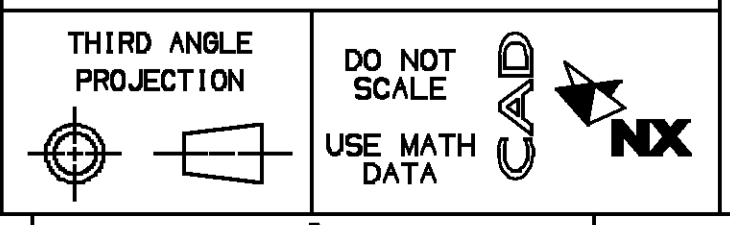
SYMBOL DEFINITION		MISSING NUMBERS		DWG STATUS		REVISION HISTORY		AUTH		DR		APVD					
DATE	STG	REV	N/P	CHG	ZONE	DATE	STG	REV	N/P	CHG	ZONE	DATE	STG	REV	N/P	CHG	ZONE
10JL02	R	01	-	-		15305314 & 15326244 - REVISED MATERIAL SPEC; 15435885 & 15435886 - RELEASED						224816	HH	EDV			
260C02	R	02	-	-		UPDATED PDM ATTRIBUTES						232628	AFM	EDV			
23AP03	R	03	-	-		15305314 - REVISED MAT'L SPEC						239485	RH	RH			
13MY03	R	04	-	-		UPDATED PDM ATTRIBUTES						240850	HH	JBR			
24SE10	R	05	-	-		ALL PARTS - UPDATED PDM ATTRIBUTES						412077	ACR	JVM	LHT		
18AU11	R	06	-	-		UPDATED PDM ATTRIBUTES						415168	EDA	MEA	EDA		



- NOTES
- UNLESS OTHERWISE SPECIFIED AND/OR INDICATED: DIMENSIONS ARE TO FACE OF VIEW SHOWN AND AUTOMATICALLY ROUNDED BY COMPUTER FOR INSPECTION. (SEE MATH MODEL FOR PRECISE DIMENSIONS). FOR ALL OTHER DIMENSIONS NOT SHOWN BUT REQUIRED FOR TOOL BUILD, SEE MATH MODEL FOR PRECISE TOOL PATH DATA.
  - MATING COMPONENTS OR EQUIVALENT: CONNECTOR 15318136 PIN 15318132
  - MAXIMUM CURRENT CAPACITY IS 7 AMPS.
  - TERMINAL MUST FIT A MAX Ø2.1 MM GAGE HOLE 19.8 MM DEEP AFTER CRIMPING.
  - TERMINAL MUST CONFORM TO VPS #B-149
  - TERMINAL NECK AREA MUST NOT FRACTURE WHEN 45° BEND TEST IS APPLIED. NO VISIBLE CRACKS UNDER 10X MAGNIFICATION.
  - 1.7 MIN FLAT DIM TO BE MEASURED AT 0° TO 180° AND 1.65 MIN FLAT DIM TO BE MEASURED AT 90° TO 270°. SEE SECTION A-A

PART NO	REV	N/P	STATUS	SIZE	MATERIAL	OPTIONAL SPEC	SIZE (MM²)	ID NO	DIA	(B <sub>1</sub> ±0.2)	(B <sub>2</sub> ±0.2)	(H <sub>1</sub> )	(H <sub>2</sub> )
15435886	01	AD	-	0.203 X 34.29	M3696KN1 METL NONFERROUS C42500 1/2 HD		0.35-0.5	Z1	1.83-1.47	1.8	2.5	1.8	2.1
15435885	01	AD	-	0.203 X 34.29	M3696JN9 METL NONFERROUS C42500 1/2 HD		0.35-0.5	Z1	1.83-1.47	1.8	2.5	1.8	2.1
15326244	02	AF	-	0.203 X 34.29	M3661CN4 METL NONFERROUS C42500 1/2 HD		0.35-0.5	Z1	1.83-1.47	1.8	2.5	1.8	2.1
15305314	02	AJ	-	0.203 X 34.29	M3696JN9 METL NONFERROUS C42500 1/2 HD	M3661CN2 METL NONFERROUS C42500 1/2 HD	0.35-0.5	Z1	1.83-1.47	1.8	2.5	1.8	2.1

6	PROCESS SENSITIVE DIMENSION
DIMENSIONAL RANGE (MM)	CHART CD
FROM 0 TO 12	> 12
TOLERANCE UNLESS OTHERWISE SPECIFIED	
±0.1	±0.2
ANGULAR TOLERANCE ±2°	



DO NOT SCALE USE MATH DATA

**DELPHI**  
DELPHI PACKARD ELECTRICAL/ELECTRONIC ARCHITECTURE  
WARREN, OH

DR	DATE
APV01 E.A. CACHO	15FE01
APV02 J. S. ALVARADO	27FE01
APV03 SHAWN M. MASON	01MR01
APV04	
APV05	

SUBSTANCES OF CONCERN AND RECYCLED CONTENT PER DELPHI 10949901

MATERIAL: SEE CHART

DRAWING NUMBER: TAXI TERM F MIC/P 100W

DRAWING NUMBER: 15409817

SIZE	SCALE	FRAME NO	SHEET NO	STG	REV	N/P
A0	10:1	1	1	OF 1	R	06

## X-ON Electronics

Largest Supplier of Electrical and Electronic Components

*Click to view similar products for [Automotive Connectors](#) category:*

*Click to view products by [APTIV](#) manufacturer:*

Other Similar products are found below :

[003-018-000](#) [60403001](#) [60993906-B](#) [629515004020001](#) [M902-2131](#) [M902-2161](#) [72.330.1035.1](#) [73.353.4028.0](#) [F119300-B](#) [F166900](#)  
[F258300-B](#) [F358300-B](#) [F407400](#) [F444110](#) [F487000](#) [F509500B-B](#) [827153-1](#) [8N1515-32-24P](#) [9-1326729-8](#) [925474-1](#) [928905-1](#) [964562-4](#)  
[968782-1](#) [GT17SA-8DS-HU](#) [98891-1012](#) [98947-1016](#) [12004475-L](#) [12010290](#) [12010309-B](#) [12015454](#) [12020219-B](#) [12020308](#) [12041318-B](#)  
[12052225-L](#) [12052466](#) [12059125](#) [12064869](#) [12004327-B](#) [12010503-B](#) [12015308](#) [12015384](#) [12015909](#) [1-21030-1](#) [12041254](#) [12041318](#)  
[12047946-B](#) [12047957](#) [12047957-L](#) [12059473](#) [12066261](#)