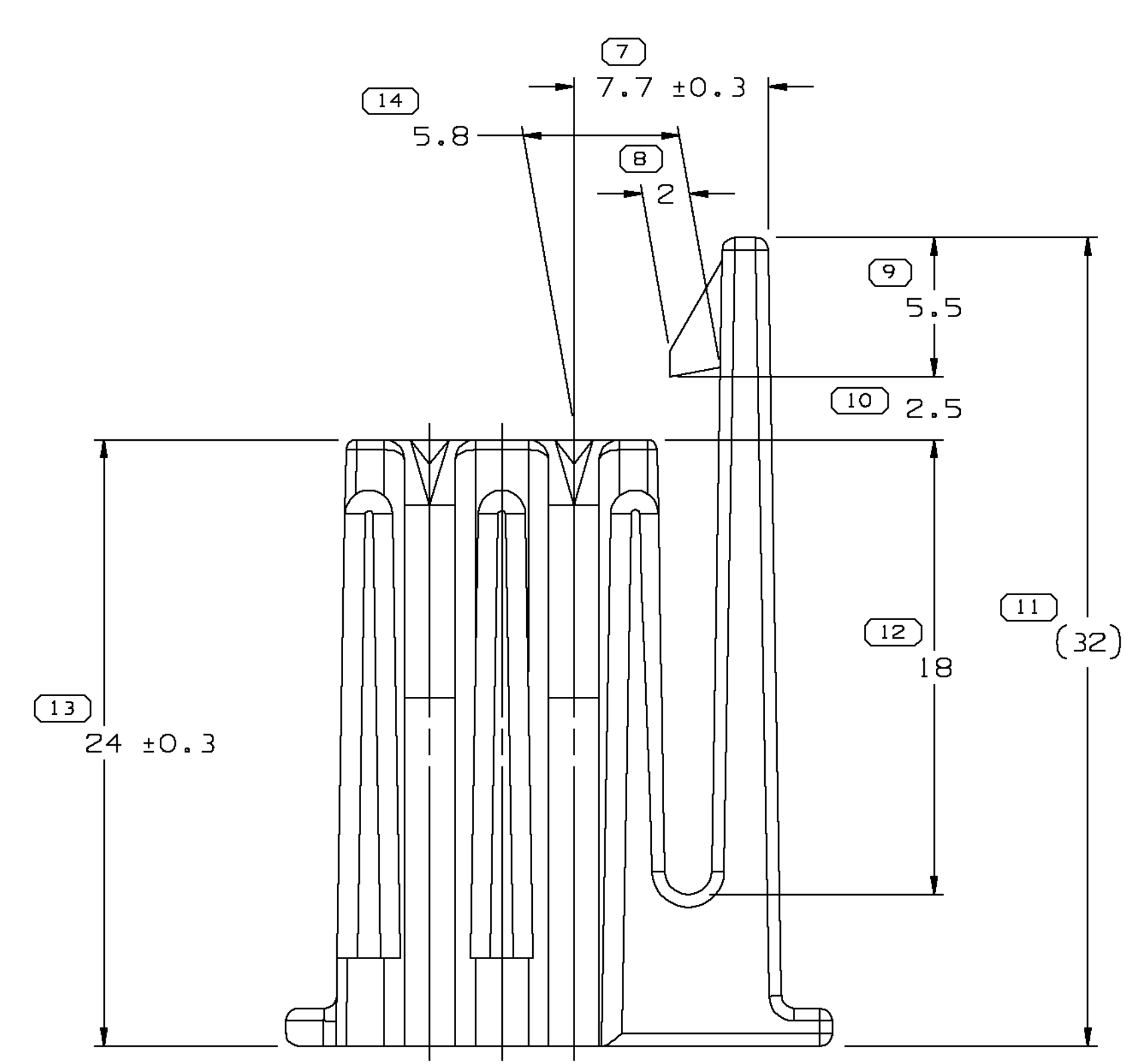
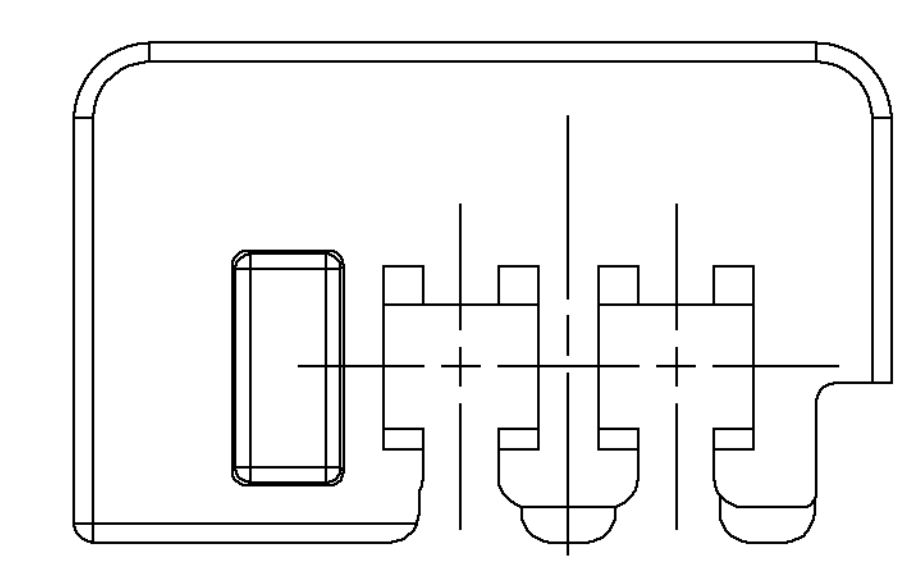
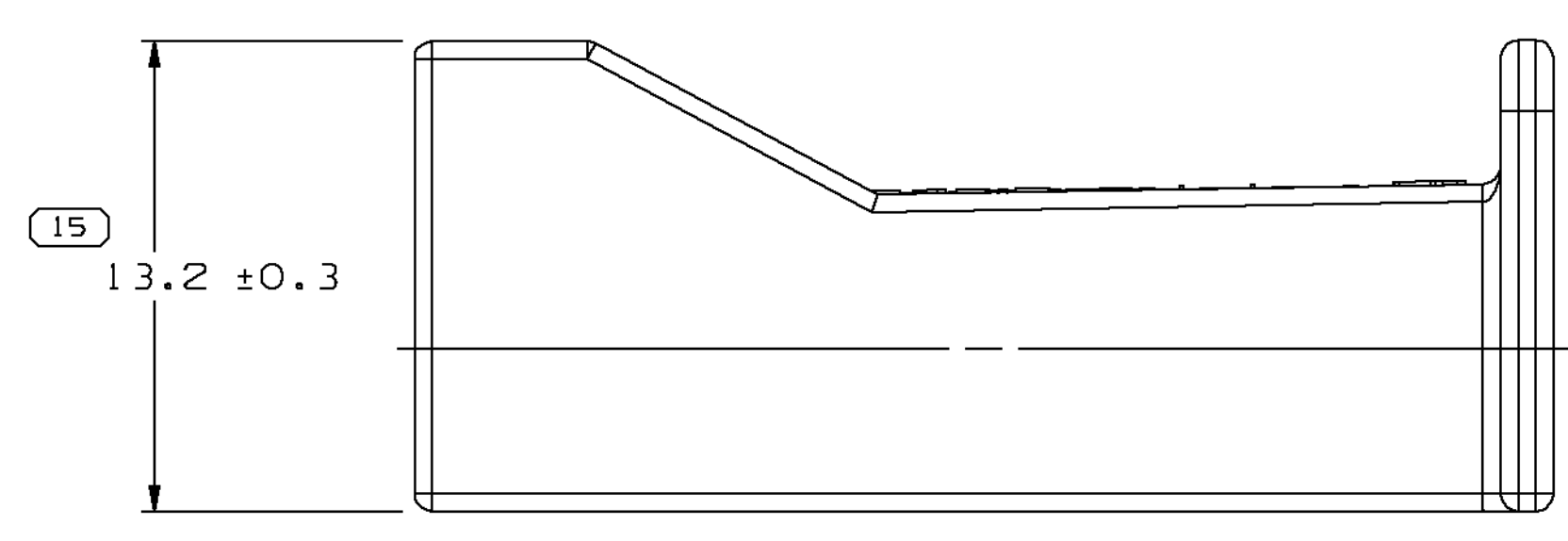
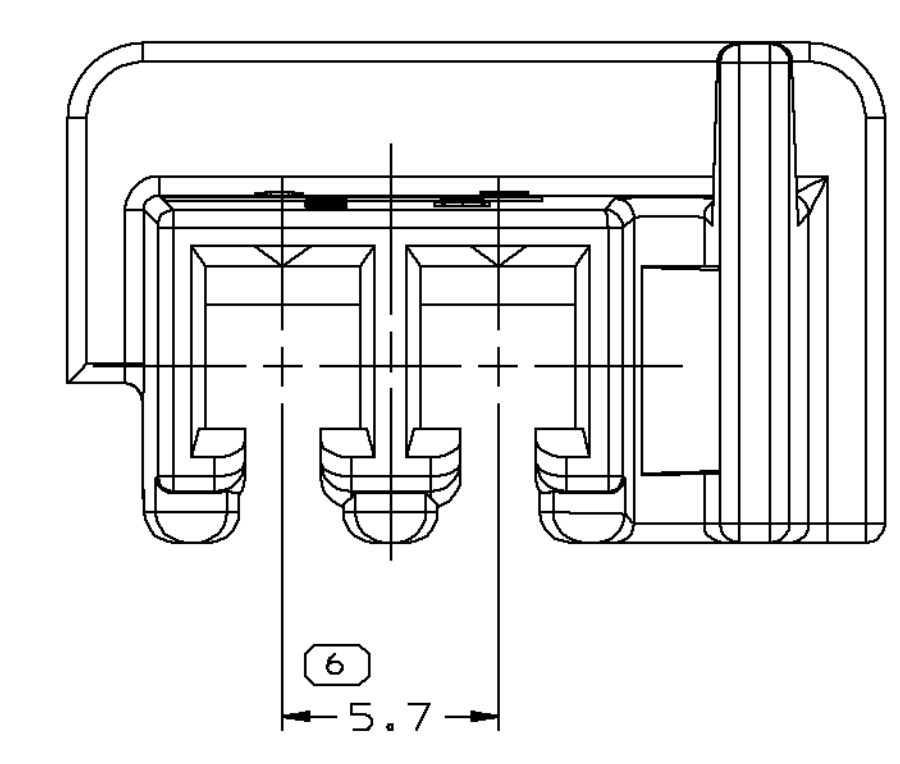
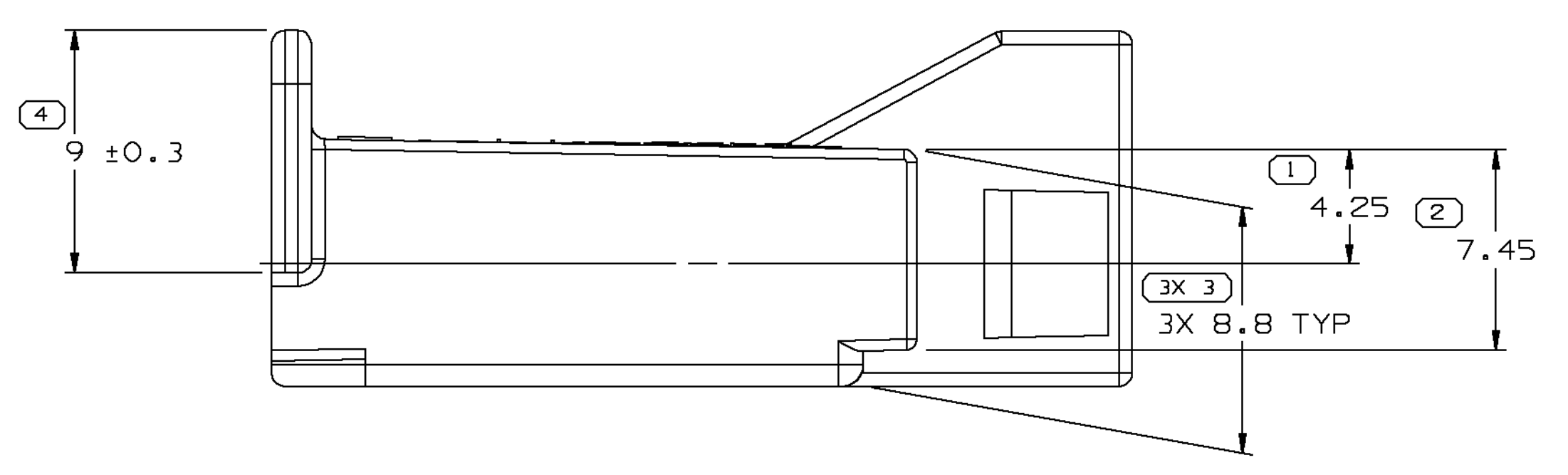
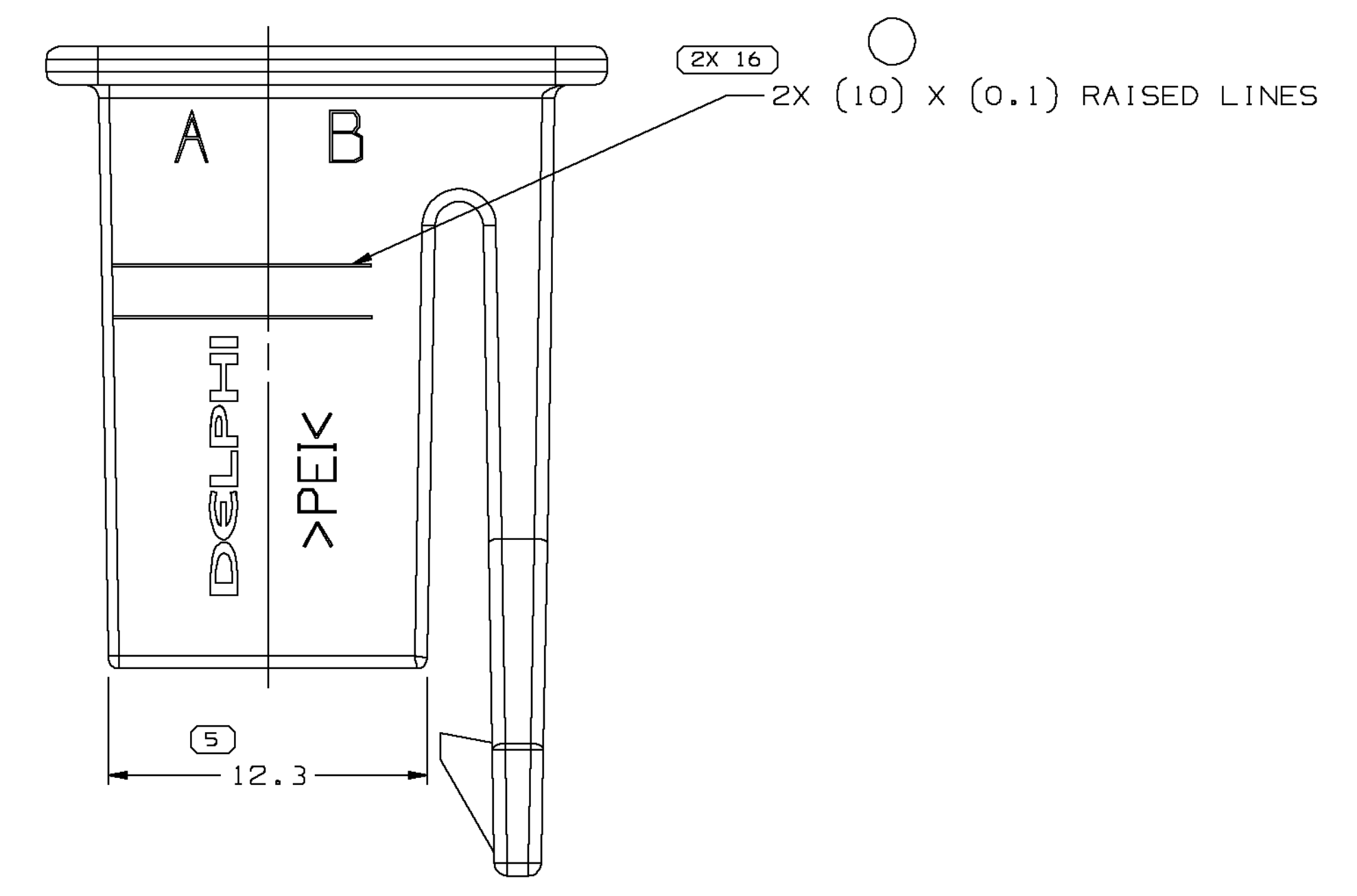


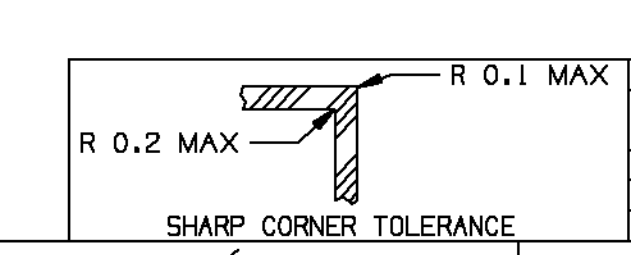
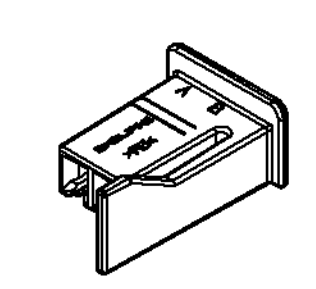
SYMBOL DEFINITION		MISSING SYMBOLS	
A DIMENSION WITHOUT AN INSPECTION REPORT SYMBOL DOES NOT REQUIRE INSPECTION. IT MAY BE CONTROLLED ON THE INDIVIDUAL COMPONENT DRAWING.	TOTAL NO OF INSPECTIONS REQUIRED	NO MISSING SYMBOL NUMBER	
	19		
	LAST NO. USED	16	

DWG STATUS					REVISION HISTORY			AUTH	DR	APVD	REV
DATE	STG	REV	W/P	CHG	ZONE						
08MY02	R	01	-	-		RELEASED		224775	EAR	EAR	RC
05JUN02	R	01	AA	-		ADDED VISUAL AIDS (2 PLCS)		226434	JYD	JYD	RC
020C02	R	01	AB	-		REVISED GRAPHICS		231597	EOV	EOV	RC
160C02	R	01	AC	-		REVISED GRAPHICS		231998	RH	RH	RC
220C02	R	01	AD	-		(10) WAS 10 ±0.15		232400	EAR	EAR	RC



NOTES

- UNLESS OTHERWISE SPECIFIED AND/OR INDICATED: DIMENSIONS ARE TO FACE OF VIEW SHOWN AND AUTOMATICALLY ROUNDED BY COMPUTER FOR INSPECTION (SEE MATH MODEL FOR PRECISE DIMENSIONS). FOR ALL OTHER DIMENSIONS NOT SHOWN BUT REQUIRED FOR TOOL BUILD, SEE MATH MODEL FOR PRECISE TOOL PATH DATA.
- MATERIAL RECYCLING CODE >PEI< PER SAE J1344. (1.3)X(0.1) RAISED CHARACTERS AS SHOWN TO BE LOCATED ON ANY EXTERIOR SURFACE. OPTIONAL CONSTRUCTION TO BE NO MATERIAL RECYCLING CODE.
- MATING COMPONENTS OR EQUIVALENT:
CONNECTOR 12110139
MATING DEVICE ALLISON TRANSMISSION - SILENOID
TERMINAL POSITION ASSURANCE FEATURE IS ACHIEVED BY THE USE OF PULL TO SEAT TERMINAL DESIGN.
- THIS PART ACCEPTS THE FOLLOWING COMPONENTS OR EQUIVALENT:
TERMINAL 12124617
MAX INSULATION CRIMP MUST BE LESS THAN 3.2 HIGH AND 4 WIDE.
MAX CABLE OD 2.6MM
- (1.3)X(0.1) RAISED DELPHI CORPORATE BRAND TO BE LOCATED ON ANY EXTERIOR SURFACE, PREFERABLY VISIBLE AT FINAL ASSEMBLY. OPTIONAL CONSTRUCTION TO BE "PED" OR NO LOGO.



FROM	TO	DIMENSIONAL RANGE (MM)	TOLERANCE UNLESS OTHERWISE SPECIFIED	CHART ET
0	20	>0	±0.3	1
20	30	>20	±0.4	2
30	70	>30	±0.5	3
70	100	>70	±0.6	4
100	150	>100	±0.8	5
150	200	>150	±1	6
200	250	>200	±1.2	7
250	300	>250	±1.5	8
300	400	>300	±2	9

DWO TYPE		PART DRAWING	
STYLE	2_3B6	DISTR CODE	D
VOLUME (COP)	6900		
ROUTING			

UNLESS OTHERWISE SPECIFIED
THIS DOCUMENT IS IN ACCORDANCE WITH ASME Y14.5M-1994 AS AMENDED BY THE 2003 DIMENSIONING AND TOLERANCING ADDENDUM - 1997. ALL GEOMETRIC TOLERANCES AND RELATED DATUMS APPLY TO ALL DIMENSIONS UNLESS OTHERWISE SPECIFIED. DIMENSIONS UNLESS OTHERWISE SPECIFIED ARE IN MILLIMETERS.
ALL DIMENSIONS ARE IN MILLIMETERS.

DELPHI
DELPHI PACKARD ELECTRIC SYSTEMS
WARREN, OH

DR	DATE
APVD1 E. RODRIGUEZ	08MY02
APVD2 E. RODRIGUEZ	08MY02
APVD3 R. CORZAS	08MY02
APVD4	
APVD5	

MATERIAL: M2297001 - PE1 BLK

DRAWING NAME: CONN 2 F M/P 280 BLK

DRAWING NUMBER: 15437241

SIZE: A0 SCALE: 5:1 FRAME NO: 1 SHEET NO: 1 OF 1 STG: REV: N/P

X-ON Electronics

Largest Supplier of Electrical and Electronic Components

Click to view similar products for [Automotive Connectors](#) category:

Click to view products by [APTIV](#) manufacturer:

Other Similar products are found below :

[003-018-000](#) [60993906-B](#) [M902-2131](#) [M902-2161](#) [M902-2344](#) [72.330.1035.1](#) [73.353.4028.0](#) [F166900](#) [F358300-B](#) [F407400](#) [776880-1](#)
[827153-1](#) [8N1515-32-24P](#) [9-1326729-8](#) [925474-1](#) [928905-1](#) [964562-4](#) [968782-1](#) [98891-1012](#) [12004475-L](#) [12020308](#) [12041318-B](#)
[12052466](#) [12064869](#) [12015909](#) [1-21030-1](#) [12041254](#) [12041318](#) [12047946-B](#) [12110546-B](#) [12131792](#) [12084688](#) [12092346](#) [HD34-18-14PT](#)
[HD46-24-23SN-059](#) [HDB36-24-16PN-059](#) [HDP26-24-9SE-L015](#) [12185280](#) [12185550](#) [12336-12](#) [12191172-B](#) [12S](#) [13545280](#) [13577943](#)
[13681974](#) [13737722-B](#) [13830674](#) [13832576](#) [13849772](#) [13542772](#)