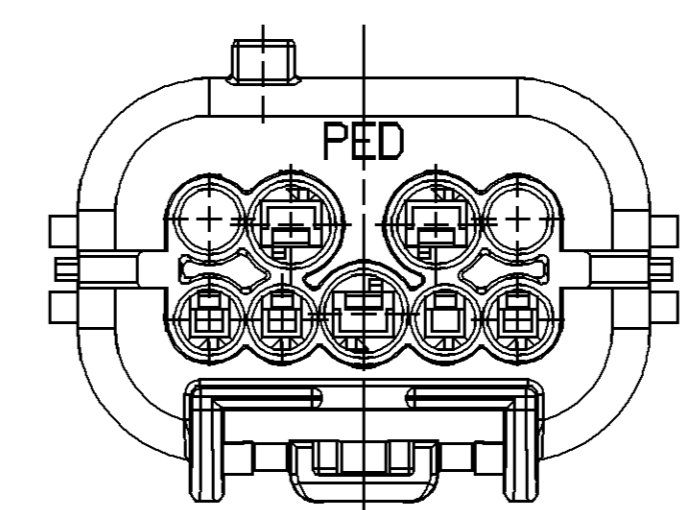
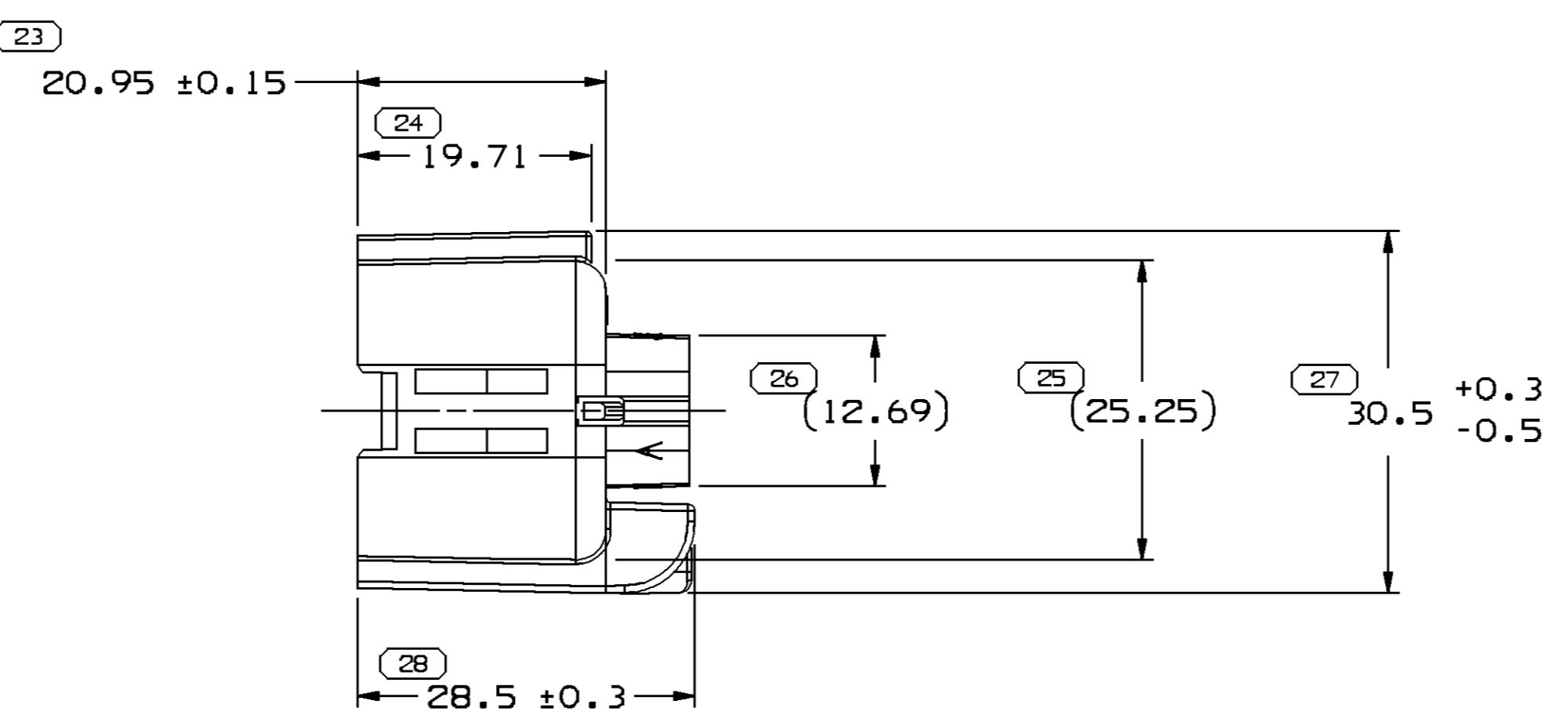
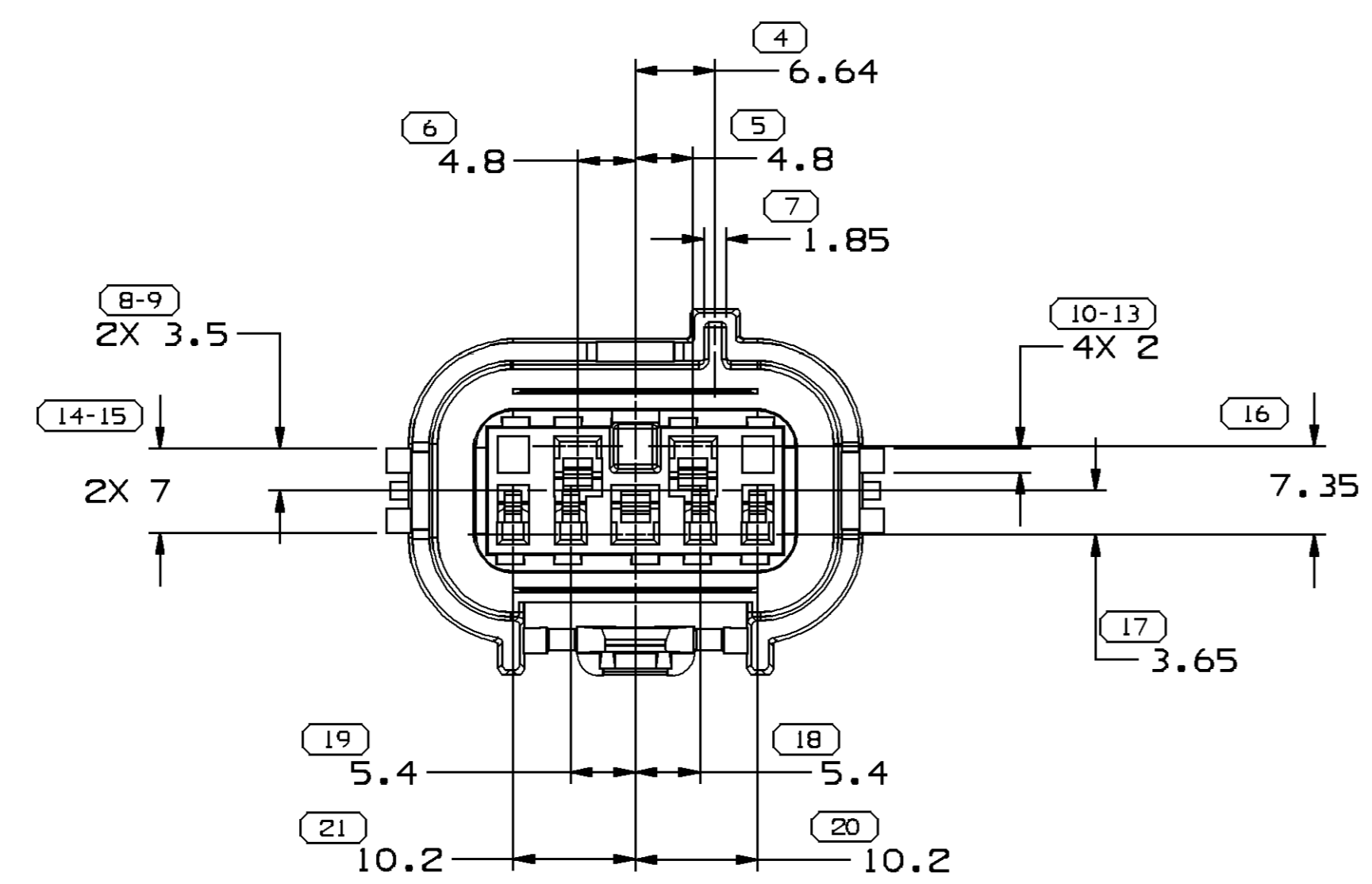
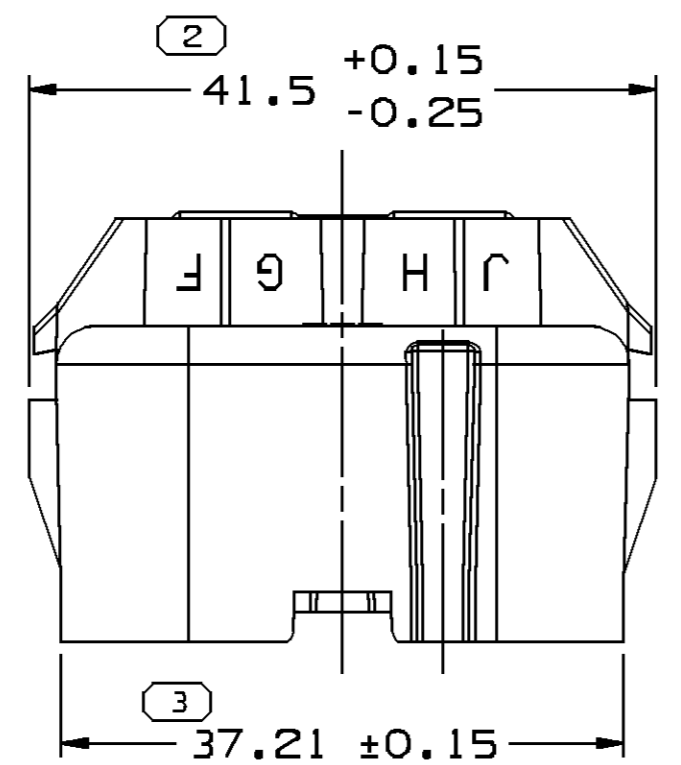
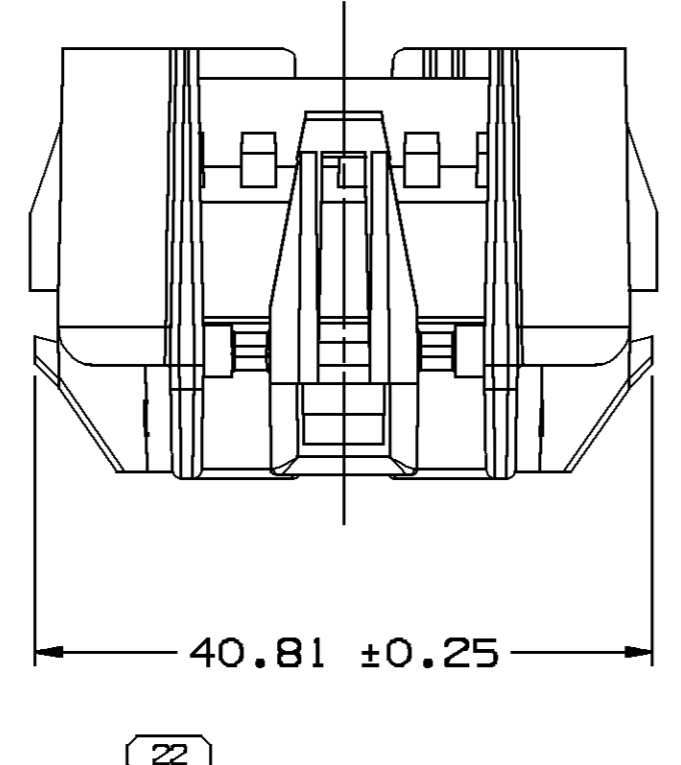


SYMBOL DEFINITION				MISSING NUMBERS		DWG STATUS		ZONE		REVISION HISTORY		AUTH		DR		AP/VD	
DATE	STO	REV	N/P	CHR													
26_JUN02	R	03	-	-							ALL PARTS - CLEARED REV COLUMN: 15441216 RELEASED	226845	MAC	MAC	RAP		
12NOV02	R	04	-	-							ALL PARTS - DIM 4X 1.500, 35 WAS 4X 1.5 & DIM 4X 5+0.15-0.20 WAS 4X 5 AND REVISED MATERIAL TO LATEST STANDARDS	233394	TLD	TLD	RP		
09DEC02	R	05	-	-							15441216 - REMOVED ANTI-BUNCHING RIBS (2 PLCS)	234224	AMG	AMG	RP		
27AP06	R	06	-	-							1539455B & 15441216 - REVISED CAVITY ORIENTATION FOR F & J	279860	RH	RH	EJB		
29JAN07	R	07	-	-							PROCESS SENSITIVE DIMENSION WAS 22	400357	TMF	TMF	EJB		
31JAN07	R	08	-	-							DIMENSION 22 WAS 40.81 +0.25/-0.15	400381	TMF	TMF	EJB		
16FEB07	R	09	-	-							15441216-UPDATED PDM ATTRIBUTES	400552	JEC	JEC	MAL		



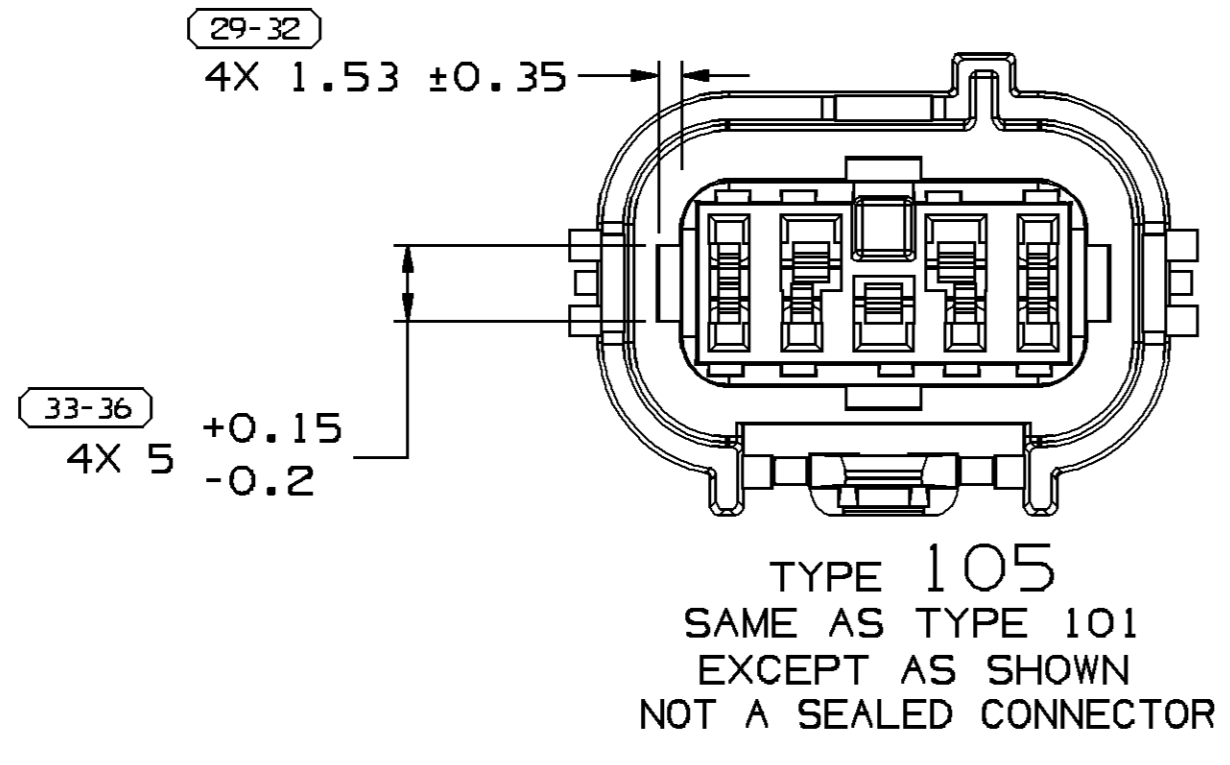
TYPE 101



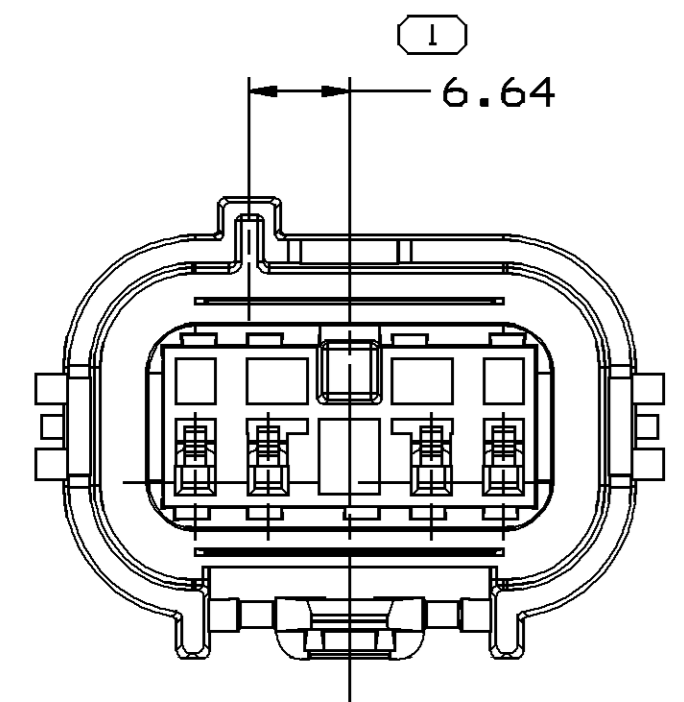
22

NOTES

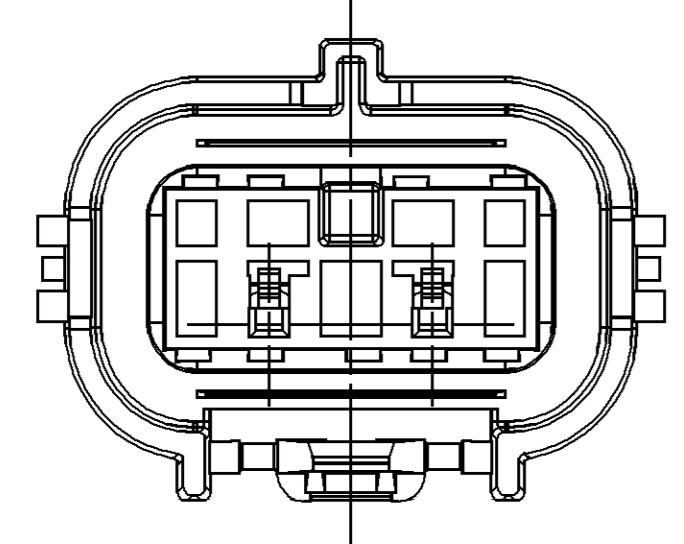
- UNLESS OTHERWISE SPECIFIED AND/OR INDICATED: DIMENSIONS ARE TO FACE OF VIEW SHOWN AND AUTOMATICALLY ROUNDED BY COMPUTER FOR INSPECTION. (SEE MATH MODEL FOR PRECISE DIMENSIONS.) FOR ALL OTHER DIMENSIONS NOT SHOWN BUT REQUIRED FOR TOOL BUILD, SEE MATH MODEL FOR PRECISE TOOL PATH DATA.
- MATING COMPONENTS OR EQUIVALENT: CONNECTOR SEE CHART
- THIS PART ACCEPTS THE FOLLOWING COMPONENTS OR EQUIVALENT:
 CAVITIES A, B, D, E, F & J TO ACCEPT 12191808 OR 12191809 6T150 TERMINAL.
 CAVITIES C, G, & H TO ACCEPT 15304715 OR 15304716 OR 15304717 6T280 TERMINAL.
 CAVITIES A, B, D, E, F & J TO ACCEPT 150 CABLE SEAL 12191226 OR 12191227.
 CAVITIES C, G, & H TO ACCEPT 280 CABLE SEAL 12191228 OR 12191230 OR 12191231.
 CONNECTOR SEAL 12191686
 TERMINAL POSITION ASSURANCE LOCK 12191684
- MATERIAL RECYCLING CODE >PA66< PER SAE J1344. (2.3)X(0.1) RAISED CHARACTERS AS SHOWN TO BE LOCATED ON ANY EXTERIOR SURFACE. OPTIONAL CONSTRUCTION TO BE NO MATERIAL RECYCLING CODE.
- (2.3)X(0.1) RAISED DELPHI CORPORATE BRAND TO BE LOCATED ON ANY EXTERIOR SURFACE, PREFERABLY VISIBLE AT FINAL ASSEMBLY. OPTIONAL CONSTRUCTION TO BE "PED" OR NO LOGO.



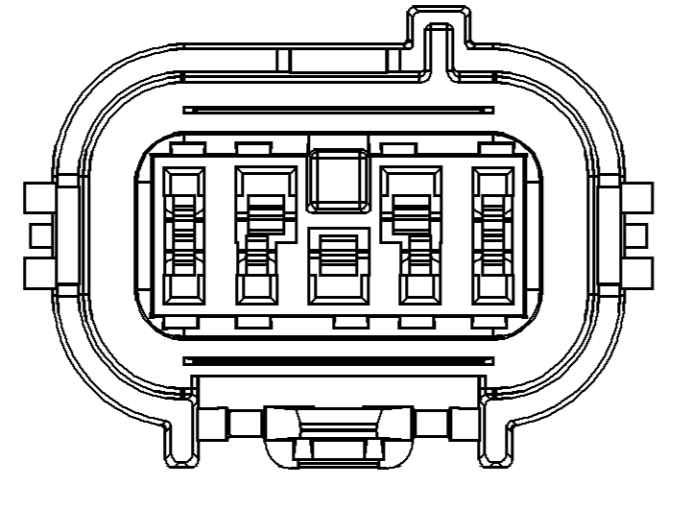
TYPE 105
SAME AS TYPE 101
EXCEPT AS SHOWN
NOT A SEALED CONNECTOR



TYPE 102
SAME AS TYPE 101
EXCEPT AS SHOWN

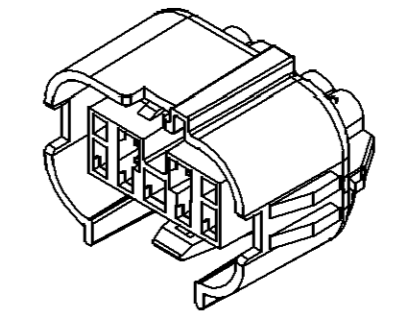


TYPE 103
SAME AS TYPE 101
EXCEPT AS SHOWN



TYPE 104
SAME AS TYPE 101
EXCEPT AS SHOWN

PART NO	REV	N/P	STATUS	MATERIAL SPECIFICATION AND COLOR	TYPE	VOLUME CM³	BLOCKED CAVITIES	MATING CONNECTOR
15441216	02	AC		M3592001 PA66 HS IM-BLK	105	9.682	-	15394557
1539455B	02	AB		M3592001 PA66 HS IM-BLK	104	9.531	-	15394557
12191680	B3	-		M359200B PA66 HS IM-BLU	103	9.565	A, C, E, F, G, H, J	12191681
12191678	B3	-		M3592025 PA66 HS IM-GRA MD	102	9.590	C, F, G, H, J	12191679
12191676	B3	-		M3592024 PA66 HS IM-CRM	101	9.569	F, J	12191677



UNLESS OTHERWISE SPECIFIED:
 THIS DOCUMENT IS IN ACCORDANCE WITH ASME Y14.5M-1994 AS AMENDED BY THE 2003 DIMENSIONING AND TOLERANCE PRACTICES ADDENDUM (Y14.5M-2003). ALL DIMENSIONS UNLESS OTHERWISE SPECIFIED ARE IN MILLIMETERS.
 DIMENSIONS IN PARENTHESES ARE FOR INFORMATION ONLY.
 DIMENSIONS IN SQUARE DIMENSIONS AND RELATED DATUMS APPLY. RULE #1 (PERFECT FORM AT MAXIMUM MATERIAL CONDITION) SHALL PREVAIL UNLESS OTHERWISE SPECIFIED.
 DIMENSIONS UNLESS OTHERWISE SPECIFIED:
 [0, .15] [0, .2] [0, .3] [0, .4] [0, .5]
 [0, .1] [0, .2] [0, .3] [0, .4] [0, .5]
 ANGULAR TOLERANCE 2°

(2) PROCESS SENSITIVE DIMENSION

DIMENSIONS ENCLOSED IN () INDICATE REFERENCE DIMENSIONS AND NO TOLERANCE LIMITS ARE ESTABLISHED

THIRD ANGLE PROJECTION

DO NOT SCALE

USE MATH DATA

DELPHI

DELPHI PACKARD ELECTRICAL/ELECTRONIC ARCHITECTURE
 HVREN, DR

DR	M. BIRAC	DATE	27NOV95
AP/VD1	JOE SUDBIK		22JAN96
AP/VD2	BILL FLASK		24JAN96
AP/VD3	BILL FLASK		24JAN96
AP/VD4			
AP/VD5			

SUBSTANCES OF CONCERN AND RECYCLED CONTENT PER DELPHI 10949001

MATERIAL SEE CHART

DRAWING NAME
 TAXI CONN F 6T 150 280 SLD

DRAWING NUMBER
 12191690

SCALE	2:1	FRAME NO	1 OF 1	SHEET NO	576	REV	N/P
AD							

X-ON Electronics

Largest Supplier of Electrical and Electronic Components

Click to view similar products for [Automotive Connectors](#) category:

Click to view products by [APTIV](#) manufacturer:

Other Similar products are found below :

[003-018-000](#) [60403001](#) [60993906-B](#) [629515004020001](#) [M902-2131](#) [M902-2161](#) [72.330.1035.1](#) [73.353.4028.0](#) [F119300-B](#) [F166900](#)
[F258300-B](#) [F358300-B](#) [F407400](#) [F444110](#) [F487000](#) [F509500B-B](#) [827153-1](#) [8N1515-32-24P](#) [9-1326729-8](#) [925474-1](#) [928905-1](#) [964562-4](#)
[968782-1](#) [GT17SA-8DS-HU](#) [98891-1012](#) [98947-1016](#) [12004475-L](#) [12010290](#) [12010309-B](#) [12015454](#) [12020219-B](#) [12020308](#) [12041318-B](#)
[12052225-L](#) [12052466](#) [12059125](#) [12064869](#) [12004327-B](#) [12010503-B](#) [12015308](#) [12015384](#) [12015909](#) [1-21030-1](#) [12041254](#) [12041318](#)
[12047946-B](#) [12047957](#) [12047957-L](#) [12059473](#) [12066261](#)