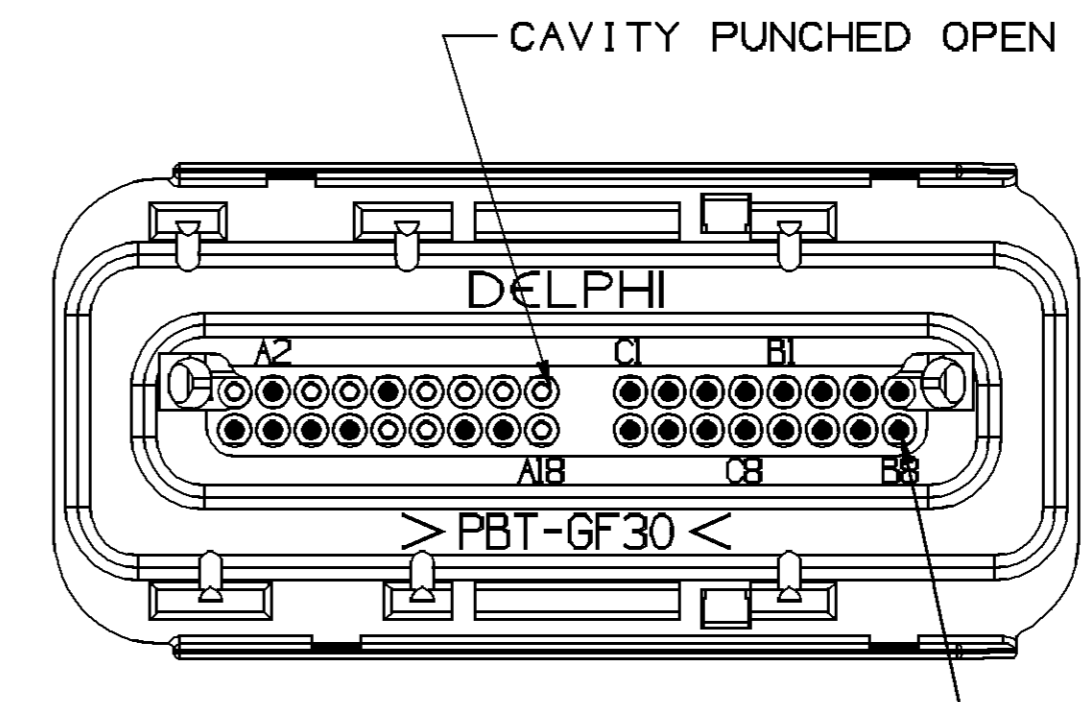
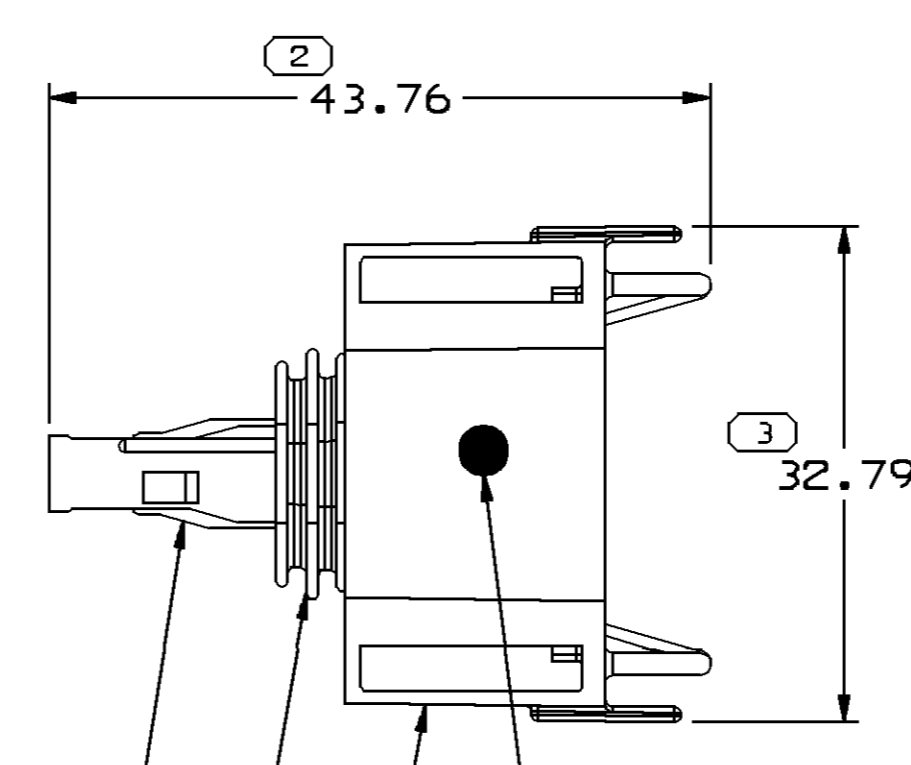
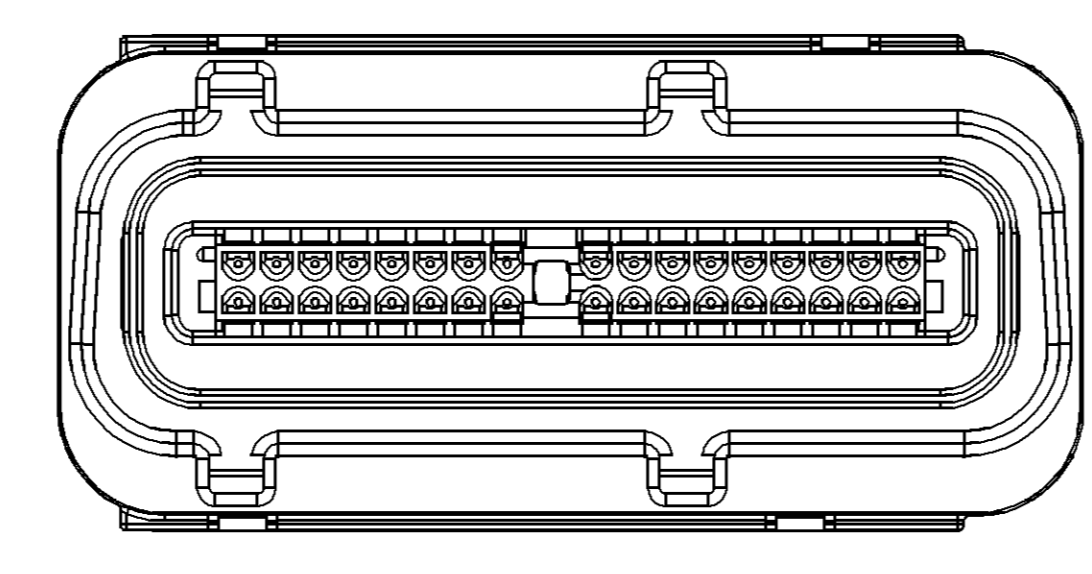
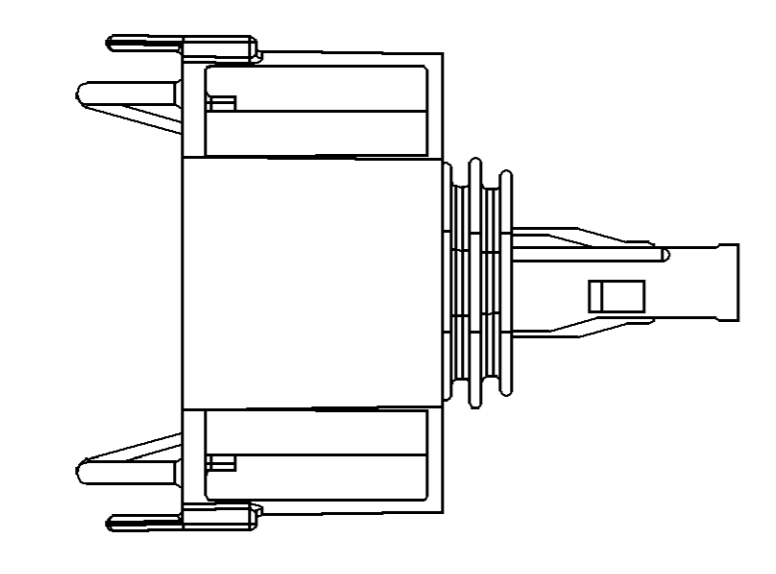
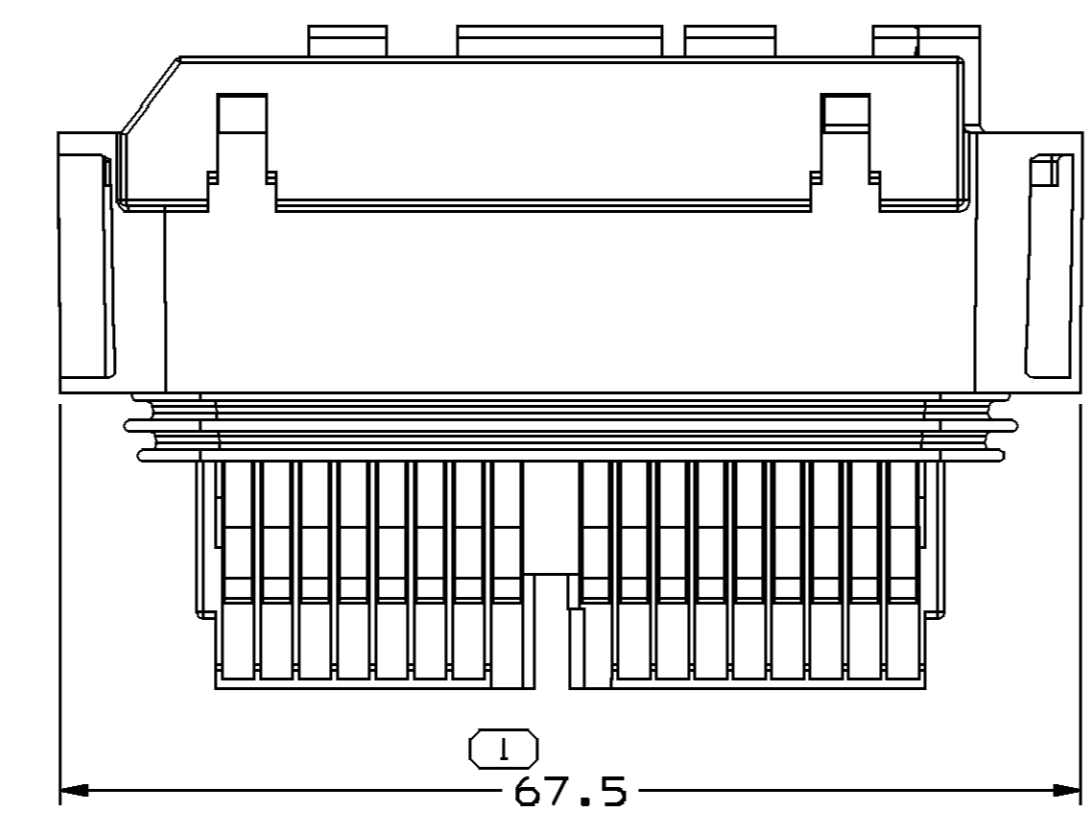
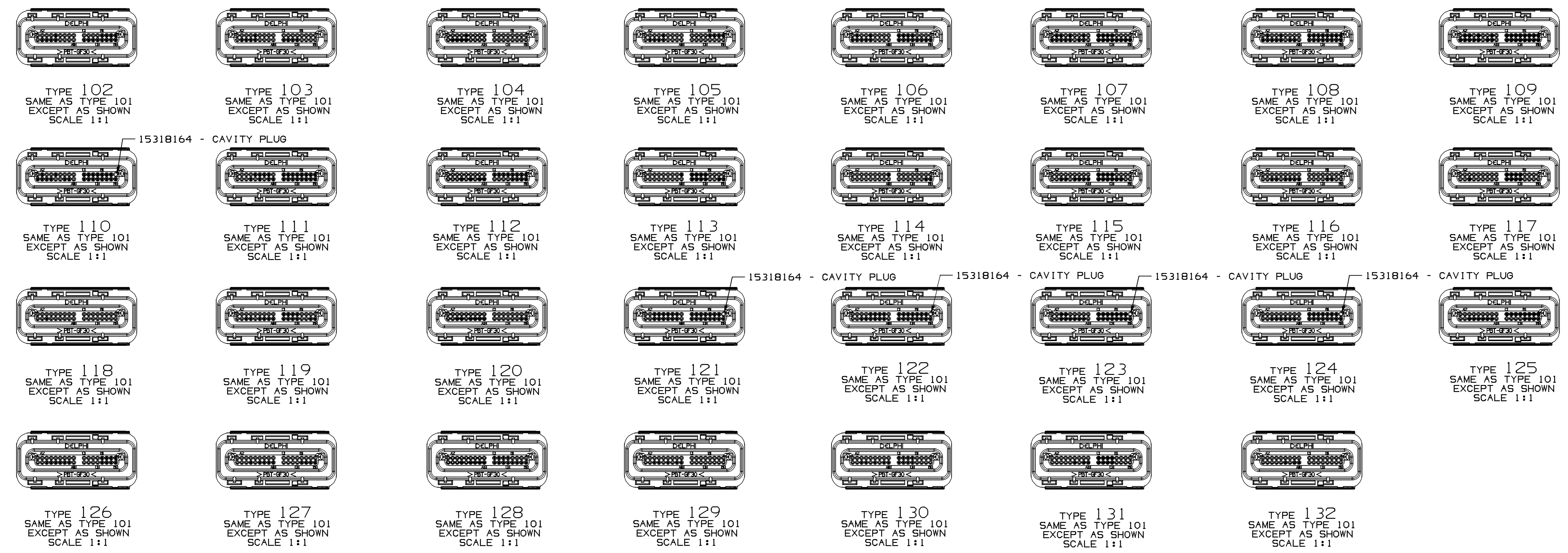


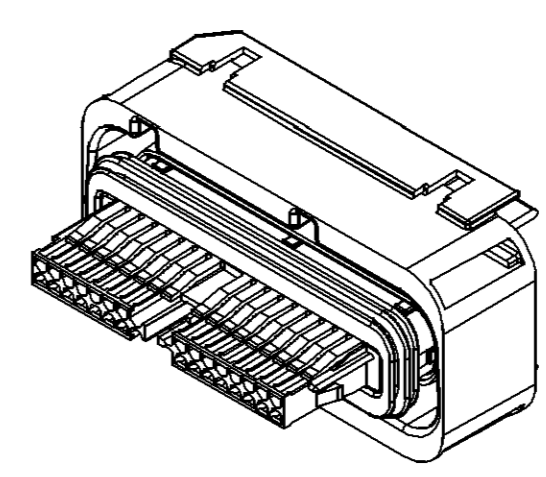
SYMBOL DEFINITION		MISSING NUMBERS	
A DIMENSION WITHOUT AN INSPECTION REPORT SYMBOL DOES NOT REQUIRE INSPECTION. IT MAY BE CONTROLLED ON AN INDIVIDUAL COMPONENT DRAWING.	TOTAL NO. OF SYMBOLS ON DRAWING	3	
	LAST NO. USED	3	

DWG STATUS				REVISION HISTORY				AUTH		
DATE	STG	REV	N/P	CHG	ZONE				DR	APVD
17JUN02	R	16	-	-		CLEARED REV COL & 15359435 - REVISED HOLE PUNCH PATTERN	226482	JHN	061	MB
23JUL02	R	17	-	-		15359435 - REVISED COLOR CODE	228219	LOA	FRG	MB
25NOV02	R	18	-	-		15439081-B2 - RELEASED; 15359435 - COLOR CODE WAS SILVER	228741	MAC	MAC	MB
27FEB04	R	19	-	-		15449992-97, 15489536-41 - RELEASED	252142	JTZ	JAA	MB
23SEP04	R	20	-	-		13512151, 13512152, 13512153, 13512154-RELEASED	259369	ADK	ADK	MB
02NOV04	R	21	-	-		13512154 - REVISED HOLE PUNCH PATTERN	260789	ESH	FRV	MB
23AUG05	R	22	-	-		ALL ACTIVE PARTS - UPDATED CONN 15357038 REV 031 15336624 - OBSOLETE	270418	JBD	AUG	MB
13DEC05	R	23	-	-		13569275 & 13569276 - RELEASED	275489	6PS	AUG	MGR
05APR06	R	24	-	-		15449997 - UPDATED HOLE PUNCH PATTERN	279346	RH	RH	RMD



15357038 - CONNECTOR
 15355191 - SEAL
 15318156 - STRAIN RELIEF
 COLOR CODE LOCATION SEE PART NUMBER CHART FOR COLOR
 TYPE 101
 CAVITY REMAINS CLOSED

- NOTES
- UNLESS OTHERWISE SPECIFIED AND/OR INDICATED:
 DIMENSIONS ARE TO FACE OF VIEW SHOWN AND AUTOMATICALLY ROUNDED BY COMPUTER FOR INSPECTION (SEE MATH MODEL FOR PRECISE DIMENSIONS). FOR ALL OTHER DIMENSIONS NOT SHOWN BUT REQUIRED FOR TOOL BUILD, SEE MATH MODEL FOR PRECISE TOOL PATH DATA.
 - THIS PART ACCEPTS THE FOLLOWING COMPONENTS OR EQUIVALENT:
 CONNECTOR POSITION ASSURANCE LOCK 15355055
 SLIDE ASSIST 1535069
 WIRE DRESS COVER 15318158
 RETAINER 15318161
 - SEAL TO BE PUNCHED PRIOR TO ASSEMBLY.
 - SEALING CODE 3 - DESIGN WILL PASS SALT FOG AND IMMERSION TEST AFTER CONDITIONING AS SPECIFIED IN ESA-644 (WEATHER-PACK), ESA-710 (METRI-PACK), ESA-650 (UNDERHOOD MICRO-PACK), C-4006 (WORLD CONNECTOR), ETC WHEN MATED TO MATING PART OR EQUIVALENT



PART NO	REV	N/P	STATUS	COLOR CODE	TYPE	HOLE PUNCH OUT PATTERN	REPLACED BY
15489541	02	-	-	GREEN	126	A1-A11, A1B, C1-C8	-
15489540	02	-	-	GREEN	125	A1-A11, A1B, C5-C8	-
15489539	02	-	-	GREEN	124	A1-A11, A1B, B4	-
15489538	02	-	-	GREEN	123	A1, A2, A5-A11, A1B, B4	-
15489537	02	-	-	GREEN	122	A1-A4, A9, A10, A11, A1B, B4	-
15489536	02	-	-	GREEN	121	A1, A2, A9, A10, A11, A1B, B4	-
15449997	02	AA	-	BLACK	126	A1-A11, A1B, C1-C8	-
15449996	02	-	-	BLACK	125	A1-A11, A1B, C5-C8	-
15449995	02	-	-	BLACK	124	A1-A11, A1B, B4	-
15449994	02	-	-	BLACK	123	A1, A2, A5-A11, A1B, B4	-
15449993	02	-	-	BLACK	122	A1-A4, A9, A10, A11, A1B, B4	-
15449992	02	-	-	BLACK	121	A1, A2, A9, A10, A11, A1B, B4	-
15439082	02	-	-	BLACK	120	A1-A11, A14, B1-B6, C1-C8	-
15439081	02	-	-	BLACK	119	A1-A11, A14, B1-B6	-
15410986	03	-	-	BLACK	118	A1-A11, A13-A18, B1-B8, C1-C8	-
15410985	03	-	-	BLACK	117	A1-A11, A13-A18, B1-B8	-
15359435	06	-	-	BLACK	116	A1-A11, A14, B1-B4, B7, B8, C1-C8	-
15359434	04	-	-	BLACK	115	A1-A11, A14, B1-B4, B7, B8	-
15359433	03	-	-	BLACK	114	A1-A8, A10-A18, B1-B6, C1-C8	-
15359432	03	-	-	BLACK	113	A1-A8, A10-A18, B1-B6	-
15359099	05	-	-	BLACK	112	A1-A12, A14, A16, C5-C8	-
15359098	06	-	-	BLACK	111	A1-A4, A9-A12, A14, A16	-
15357087	04	-	-	BLACK	110	A1, A3, A4, A6-A9, A14, A15, A18, B4	-
15355182	05	-	-	GREEN	109	A1, A4, A6, A7, A9, A15, A18	-
15355181	05	-	-	BLUE	108	A1, A3, A4, A6-A9, A15, A18	-
15355180	05	-	-	RED	107	A1, A4, A6, A7, A9, A15, A18, B1-B4	-
15355179	05	-	-	SILVER	106	A1, A3, A4, A6-A9, A15, A18, B1-B4	-
15355197	05	-	-	BLACK	105	A1-A4, A6-A10, A15-A18, B5-B8, C1-C4	-
15354979	05	-	-	BLACK	104	A1-A4, A6-A10, A15-A18, B1-B8, C1-C8	-
15354978	05	-	-	BLACK	103	A1-A4, A6-A10, A15-A18, B1-B8, C1-C4	-
15354941	05	-	-	BLACK	102	A1-A4, A6-A10, A15-A18, C1-C4	-
15336624	04	AB	OBSOLETE	BLACK	101	A1, A3, A4, A6-A9, A14, A15, A18	-

PART NO	REV	N/P	STATUS	COLOR CODE	TYPE	HOLE PUNCH OUT PATTERN	REPLACED BY
13569276	01	-	-	BLACK	132	A1-A14, A16, B1-B8, C1-C8	-
13569275	01	-	-	BLACK	131	A1-A14, A16, B1-B8	-
13512154	03	-	-	BLACK	130	A1-A11, A14, A16, B1-B8	-
13512153	02	-	-	BLACK	129	A1-A11, A14, A16, B1-B8, C1-C8	-
13512152	02	-	-	BLACK	128	A1-A12, A14, B1-B4	-
13512151	02	-	-	BLACK	127	A1-A12, A14, B1-B4, C1-C8	-

DIMENSIONAL RANGE (MM)		TOLERANCE	
FROM	TO	±	ANGULAR TOLERANCE
> 0	> 30	±0.15	±1.2
30	70	±0.2	±1.2
70	100	±0.3	±1.2
100	150	±0.4	±1.2
150	200	±0.5	±1.2
200	250	±0.6	±1.2
250	300	±0.7	±1.2
> 300	> 400	±0.8	±1.2

DELPHI
 DELPHI PACKARD ELECTRIC SYSTEMS
 WREN, MI

DR	DATE
APV01 JACOB TREJO	31DEC97
APV02 R MOYSEN M	27JAN98
APV03 J. CUNNINGHAM	02FEB98
APV04	
APV05	

UNLESS OTHERWISE SPECIFIED
 THIS DOCUMENT IS IN ACCORDANCE WITH ASME Y14.5M-1994
 AS DIMENSIONS BY THE IN CHARGE OF DRAWING AND
 RELATED DATUM APPLY. REF. FILE # (PERFECT FROM AT
 THE END OF THE DRAWING) IS ESTABLISHED BY ORIENTATION OR LOCATION TOLERANCES.
 SPACED PARTITION CALLOUTS MAY BE SHOWN SEPARATELY,
 REGARDLESS OF DATUM REFERENCE.
 ALL DIMENSIONS ARE IN MILLIMETERS.

DRAWING NAME
 ASM CONN 20 F MIC/P 100W
 GRA DK SLD MODULAR BASE

DRAWING NUMBER
15336623

SCALE: 2:1
 SHEET NO: 1 OF 1
 REV: 1
 N/P: 24

X-ON Electronics

Largest Supplier of Electrical and Electronic Components

Click to view similar products for [Automotive Connectors](#) category:

Click to view products by [APTIV](#) manufacturer:

Other Similar products are found below :

[003-018-000](#) [60993906-B](#) [M902-2131](#) [M902-2161](#) [M902-2344](#) [72.330.1035.1](#) [73.353.4028.0](#) [F166900](#) [F358300-B](#) [F407400](#) [776880-1](#)
[827153-1](#) [8N1515-32-24P](#) [9-1326729-8](#) [925474-1](#) [928905-1](#) [964562-4](#) [968782-1](#) [98891-1012](#) [12004475-L](#) [12020308](#) [12041318-B](#)
[12052466](#) [12064869](#) [12015909](#) [1-21030-1](#) [12041254](#) [12041318](#) [12047946-B](#) [12110546-B](#) [12131792](#) [12084688](#) [12092346](#) [HD34-18-14PT](#)
[HD46-24-23SN-059](#) [HDB36-24-16PN-059](#) [HDP26-24-9SE-L015](#) [12185280](#) [12185550](#) [12336-12](#) [12191172-B](#) [12S](#) [13545280](#) [13577943](#)
[13681974](#) [13737722-B](#) [13830674](#) [13832576](#) [13849772](#) [13542772](#)