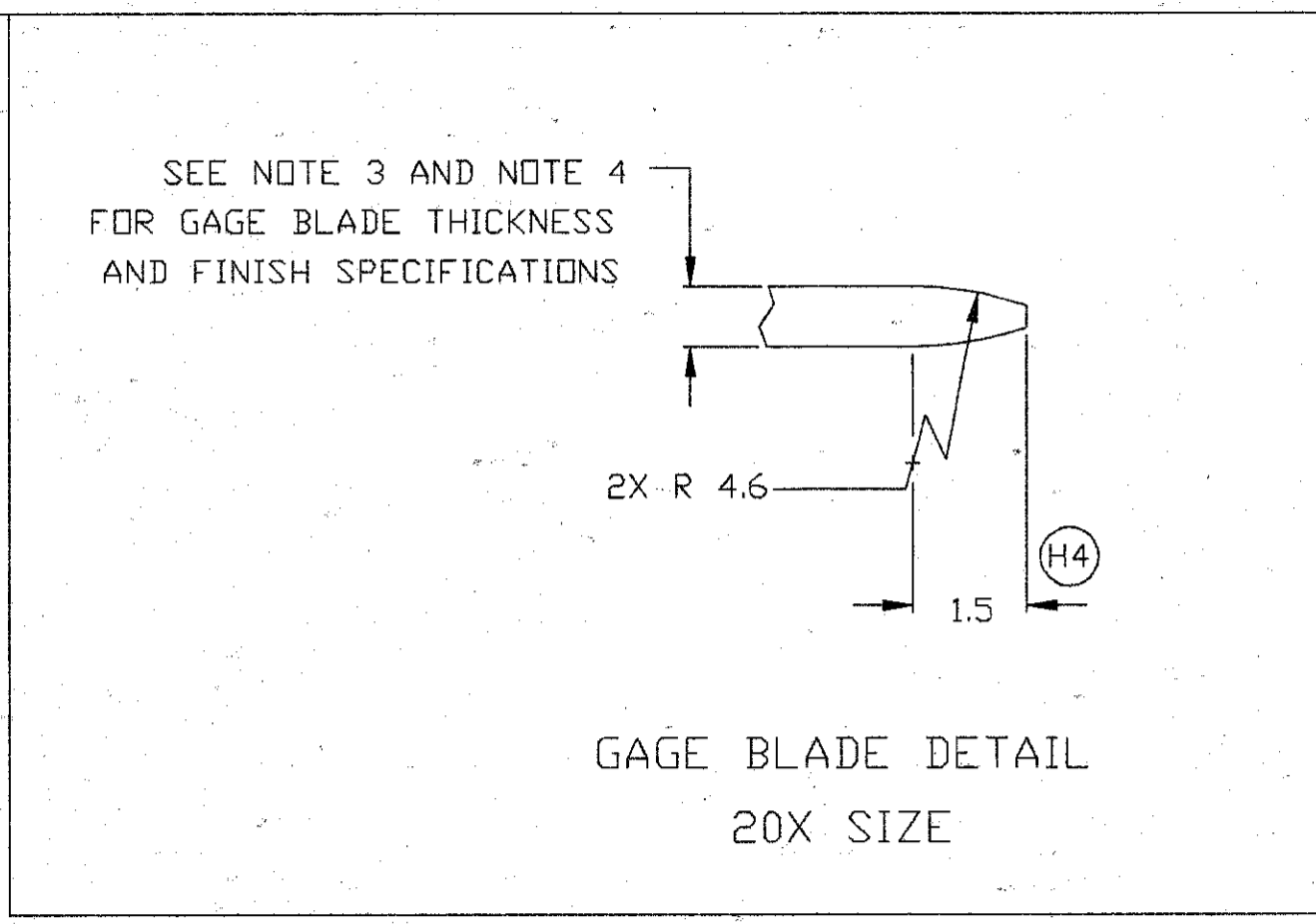
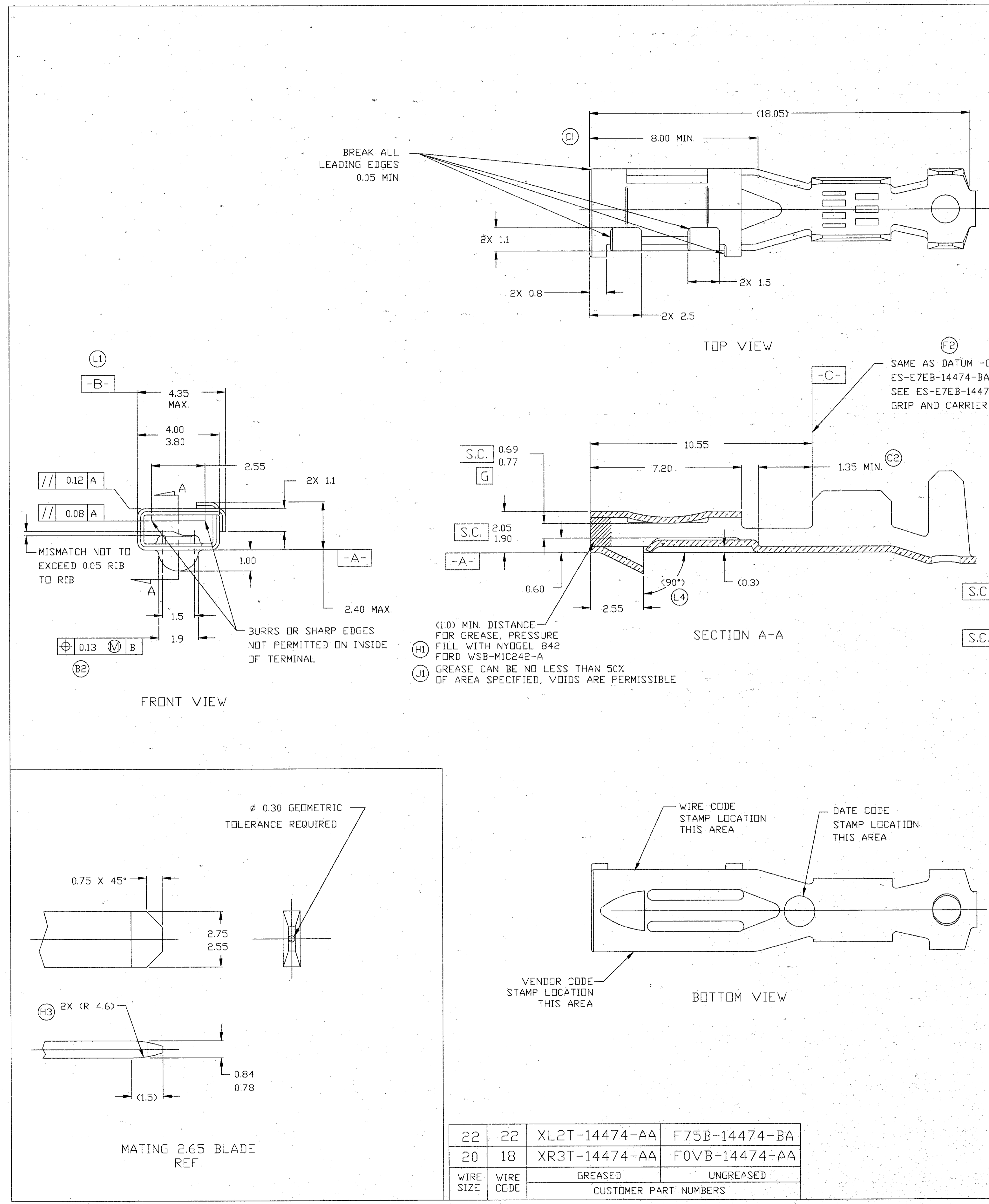


DATE	REV	BY	CHKD	ZONE	REVISION HISTORY	AUTH	DR	APVD
11JUL03	R 01	-	-	-	15450826 - WAS SEPARATED DRAWING AND 15451717 - RELEASED	243412	HH	HH JCH
27FE04	R 02	-	-	-	ALL PARTS - DWG UPDATED TO LATEST PRINT	252474	JFC	JFC VC
11JN13	R 03	-	-	-	ALL PARTS - UPDATED FORMAT DRAWING, NOTES AND CHART	422902	CGD	JAA RL6
13JN13	R 04	-	-	-	ALL PARTS - ADDED "GREASE OPTION" HEADER CALLOUT ON CHART	422943	CGD	JAA RL6



TOP VIEW

SECTION A-A

BOTTOM VIEW

FRONT VIEW

MATING 2.65 BLADE REF.

UNLESS OTHERWISE SPECIFIED TOLERANCE ON:
 2 PLACE DIMENSIONS ±0.10
 1 PLACE DIMENSIONS ±0.25
 ALL ANGULAR DIMENSIONS ±1°

ANNUAL QUALITY REQUIREMENTS:
 FCI SPECIFICATION #AGA-001 INSTEAD OF ANNUAL LAYOUT & ANNUAL PV REQUIREMENTS OF QS-9000 SECTION 2 IT IS PERMISSIBLE TO PERFORM CONTINUOUS PERFORMANCE PER -CURRENT PRODUCTION TOOLING - POINT OF LAST RUN

- NOTES:
- CRIMPING OF TERMINALS TO WIRE MUST MEET ALL REQUIREMENTS OF ES-E7EB-14474-AA.
 - TERMINALS MUST MEET SPECIFICATIONS OF ES-F0EB-14474-AA EXCEPT TEST #3. TERMINAL BEND TEST MUST PASS 1.25 KG MIN FOR P/N F0VB-14474-AA AND XR3T-14474-AA AND 0.9 KG MIN FOR P/N F75B-14474-AA AND XL2T-14474-AA.
 - INSERTION OF A 0.84 ±0.01/-0 THICK STEEL "MAX BLADE GAGE" WITH A 4.6 RADIUS NOSE LEAD AND A 0.076 (3 MICRO INCH) MAX SURFACE FINISH MUST NOT EXCEED 15.0 N.
 - REMOVAL OF A 0.78 ±0/-0.01 THICK STEEL "MIN BLADE GAGE" WITH A 4.6 RADIUS NOSE LEAD AND A 0.076 (3 MICRO INCH) MAX SURFACE FINISH MUST EXCEED 2.2N FOR UNGREASED PART NUMBERS 0.75N FOR GREASED PART NUMBERS.
 - G DENOTES GAGE. GAGE DESIGNS MUST HAVE SIGNED ENGINEERING APPROVAL PRIOR TO CONSTRUCTION AND WILL BE A CONDITION OF FINAL PART APPROVAL.
 - S.C. SYMBOL INDICATES SIGNIFICANT CHARACTERISTICS. VARIABLE DATA WILL BE REQUIRED.
 - RESTRICTIONS TO HELP SAFEGUARD HEALTH, SAFETY, AND THE ENVIRONMENT APPLY TO SUBSTANCES USED IN THE ITEMS. ADDRESSED BY THIS DOCUMENT. ENGINEERING MATERIAL SPECIFICATION WSS-M99P9999-A1 APPLIES.
 - MATERIAL: C14300 X-SPRING HD. 0.30 ±0.013 (D12) THICK ALTERNATE MATERIAL: SAE J461 UNS C14530 SPRING HARD (ASTM H08) PERMITTED.
 - FINISH: HOT TIN DIP -0.50-2.54 μm THICK

REVISIONS			
ORIGINATOR	CHECKER	ENGR APP	MATL APP
A			
B			
B2			
C1			
C2			
C3			
C4			
D1			
E1			
F1			
F2			
F3			
G1			
H1			
H2			
H3			
H4			
H5			
H6			
H7			
J1			
K1			
L1			
L2			
L3			
L4			
L5			
G. LEECE	T. ANGER		

REVISIONS:

A REDRAWN ON CAD FROM 87-018-26J REFER TO ECN FOR SPECIFIC UPDATES

B ADDED POSITION TOLERANCE BLOCK

B2 ADDED TRUE POSITION TO 1.9 DIM. ADDED GAGE REQUIREMENT TO 1.00 DIM. ADDED EXCEPTION TO NOTE #2. 4.6 RAD WAS FULL RAD IN NOTE #3. 4.6 RAD WAS FULL RAD AND 2.2 N WAS 4.0 N IN NOTE #4. ADDED GAGE BLADE DETAIL. CORRECTED PART NAME IN TITLE BLOCK. ADDED MATING BLADE DETAIL.

C1 ADDED 8.00 MIN. DIMENSION. C2 REV DIM WAS 2.55 MIN. C3 KG DIM IN NOTE 2) WAS 1.25. C4 MAX SURFACE FINISH DIM IN NOTE 3) WAS 15.0 N.

D1 WSS-M99P9999-A1 WAS WSS-M99P9999-A NB00-E10168042-000 (DR) 920619 CADY

E1 ADDED NOTE 8)

F1 RELEASED F75B-14474-AA COMPLETE. F2 REVISED NOTE WAS ES-E7EB-14474-AA. F3 REVISED NOTE 1)

G1 REVISED NOTE#2 NB00-E10262829-316 950605 CADY

H1 RELEASED XR3T-14474-AA FOR PRODUCTION AUTHORITY. H2 ADDED MATERIAL TYPE TO NOTE 8). H3 2X (4.6) WAS R4.9. H4 1.5 WAS 1.52. H5 WSB-MIP9-B WAS ESB-MIP9-A. H6 DRAWING F0VB-14474-AA WAS B6-021-13D. H7 REMOVED GAGE CALLOUTS. UPDATED DRAWING WITH LATEST FORD BORDER ARCHIVED DATE: NB00-E-10936178-001 (>) 990217 CADY

J1 ADDED GREASE NOTES NB00-E-10936178-002 (>) 990330 CADY

K1 RELEASED XL2T-14474-AA FOR PRODUCTION AUTHORITY NB00-E-10968606-002 (>) 990727 ARCHIVED DATE: CADY

L1 UPDATED DATUM "B" LOCATION. L2 CHANGED TAB ANGLE TO REF. L3 ADDED GREASED PANS TO TERMINAL BEND EXCEPTION. L4 UPDATED FINISHED CALLOUT TO INCLUDE TIN THICKNESS. L5 ADDED ANNUAL QUALITY REQUIREMENTS NOTE NB00-E-11248304-923 (>) 040122 ARCHIVED DATE: CADY

FRAMATOME CONNECTORS INTERLOCK FOR INFORMATION CONTACT: FRAMATOME CONNECTORS INTERLOCK. PART MUST COMPLY WITH MATERIAL SPECIFICATION WSS-M99P9999-A1 TO HELP SAFEGUARD HEALTH, SAFETY AND THE ENVIRONMENT.

DRAFTED IN ACCORDANCE WITH FAO 3 RD ANGLE PROJ DIMENSIONS IN MILLIMETERS

CAD TYPE: CAD LOC: CAD FILE: C14021-FORD EM IS MASTER

OPER. NO. UNIT DRAWING: F0VB-14474-AA

DESIGN: J.FEENEY, D.TATMAN. CHECKED: D.TATMAN. DATE: 2/22/89. DIVISION: PLANT.

SCALE: 10:1. SHEET: 1 OF 1.

Loc. F303 Ec# 6310 TOOL#D428

WIRE SIZE	WIRE CODE	GREASED	UNGREASED
22	22	XL2T-14474-AA	F75B-14474-AA
20	18	XR3T-14474-AA	F0VB-14474-AA

CUSTOMER PART NUMBERS

- NOTES:
- UNLESS OTHERWISE SPECIFIED AND/OR INDICATED: DIMENSIONS ARE TO FACE OF VIEW SHOWN AND AUTOMATICALLY ROUNDED BY COMPUTER FOR INSPECTION (SEE MATH MODEL FOR PRECISE DIMENSIONS). FOR ALL OTHER DIMENSIONS NOT SHOWN BUT REQUIRED FOR TOOL BUILD, SEE MATH MODEL FOR PRECISE TOOL PATH DATA.
 - DIFFERENCE BETWEEN BOTH WINGS TO BE 0.3 MM MAX.

LIMITED DISTRIBUTION

THIS PRINT CAN ONLY BE DISTRIBUTED TO THE FOLLOWING LOCATIONS OUTSIDE OF DELPHI PACKARD ELECTRICAL/ELECTRONIC ARCHITECTURE

FORD

REV	REV N/P	MAT'L SPEC	GREASE OPTION
LS1	15451717	01 AC	M6694710
LS	15450826	01 AD	M6694710
REV	REV N/P	MAT'L SPEC	GREASE OPTION
MVL			DELPHI

DELPHI

DELPHI PACKARD ELECTRICAL/ELECTRONIC ARCHITECTURE

WARREN, OH

COPYRIGHT 2003 DELPHI CORPORATION AND/OR ITS AFFILIATES. ALL RIGHTS RESERVED.

THIS DRAWING IS THE PROPERTY OF DELPHI CORPORATION AND CONTAINS DELPHI CONFIDENTIAL INFORMATION. THE REPRODUCTION, DISTRIBUTION AND UTILIZATION OF THIS DOCUMENT OR ITS CONTENTS OR DATA, AS WELL AS COMMUNICATION OF ANY CONTENT TO OTHERS, WITHOUT EXPRESS AUTHORIZATION, IS PROHIBITED.

DATE: 11JUL03

OR: HERNANDEZ H., HERNANDEZ H., CHAVEZ JUAN C.

TAXI TERM F 2.6

DRAWING NUMBER: 15475236

SIZE: A0, SCALE: NONE, FRAME NO: 1 OF 1, SHEET NO: 1 OF 1, REV: N/P, DATE: 04 -

TOLERANCE UNLESS OTHERWISE SPECIFIED:

DECIMAL: 1 PLACE: SEE DRAWING, ANGULAR: ±2°, THREE PLACE: SEE DRAWING

THIRD ANGLE PROJECTION

DO NOT SCALE

USE MATH DATA

X-ON Electronics

Largest Supplier of Electrical and Electronic Components

Click to view similar products for [Automotive Connectors](#) category:

Click to view products by [APTIV](#) manufacturer:

Other Similar products are found below :

[003-018-000](#) [60403001](#) [60993906-B](#) [629515004020001](#) [M902-2131](#) [M902-2161](#) [72.330.1035.1](#) [73.353.4028.0](#) [F119300-B](#) [F166900](#)
[F258300-B](#) [F358300-B](#) [F407400](#) [F444110](#) [F487000](#) [F509500B-B](#) [827153-1](#) [8N1515-32-24P](#) [9-1326729-8](#) [925474-1](#) [928905-1](#) [964562-4](#)
[968782-1](#) [GT17SA-8DS-HU](#) [98891-1012](#) [98947-1016](#) [12004475-L](#) [12010290](#) [12010309-B](#) [12015454](#) [12020219-B](#) [12020308](#) [12041318-B](#)
[12052225-L](#) [12052466](#) [12059125](#) [12064869](#) [12004327-B](#) [12010503-B](#) [12015308](#) [12015384](#) [12015909](#) [1-21030-1](#) [12041254](#) [12041318](#)
[12047946-B](#) [12047957](#) [12047957-L](#) [12059473](#) [12066261](#)