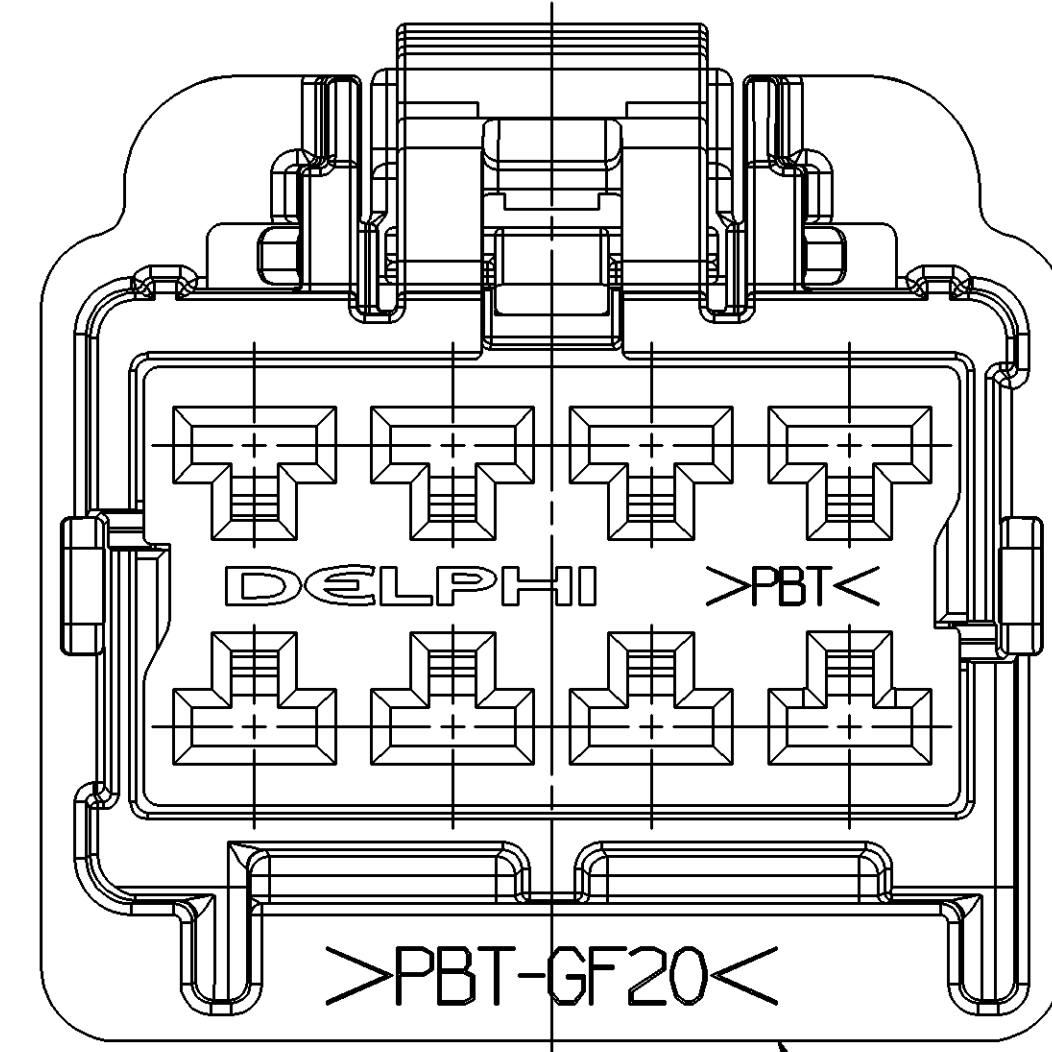


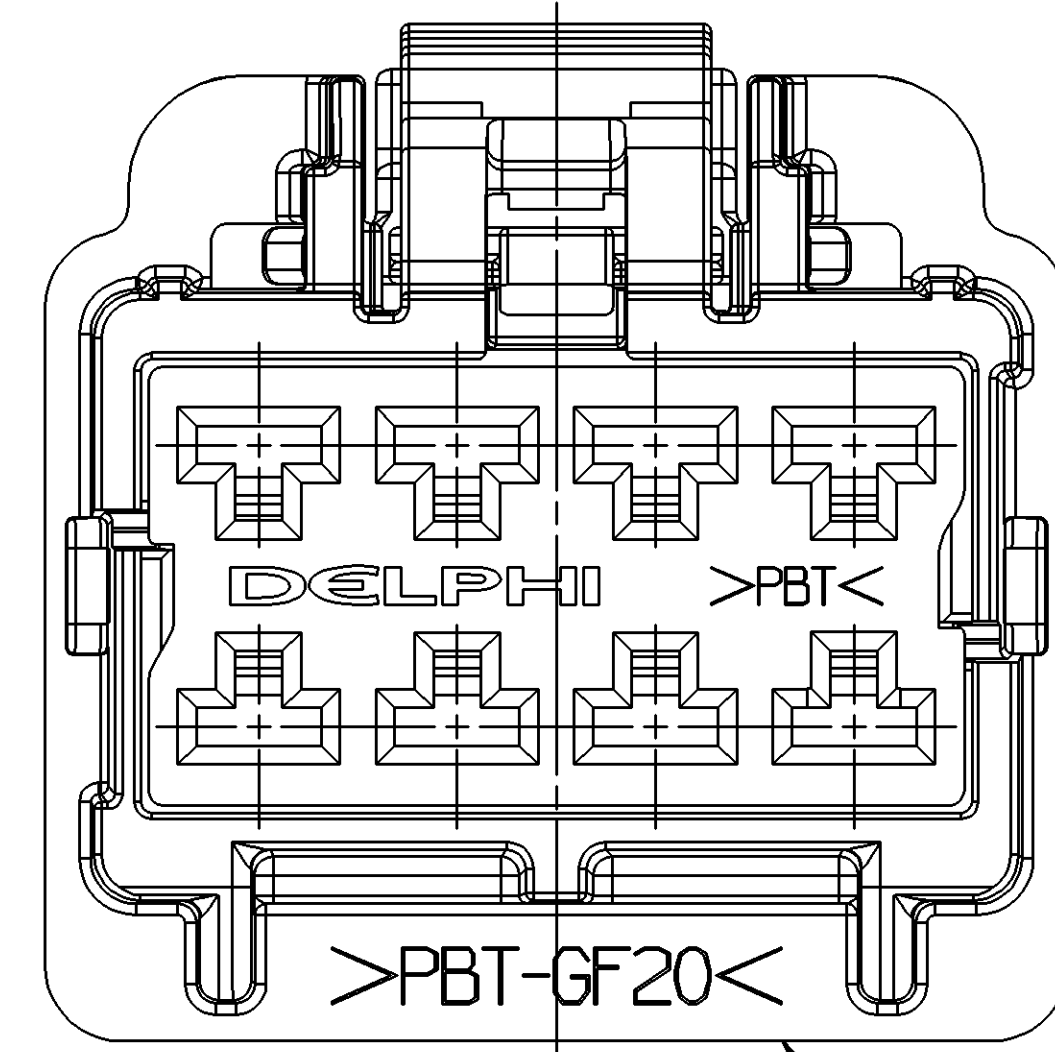
TYPE 102
SAME AS TYPE 101
EXCEPT AS SHOWN

15465069 CONNECTOR



TYPE 103
SAME AS TYPE 101
EXCEPT AS SHOWN

15465070 CONNECTOR

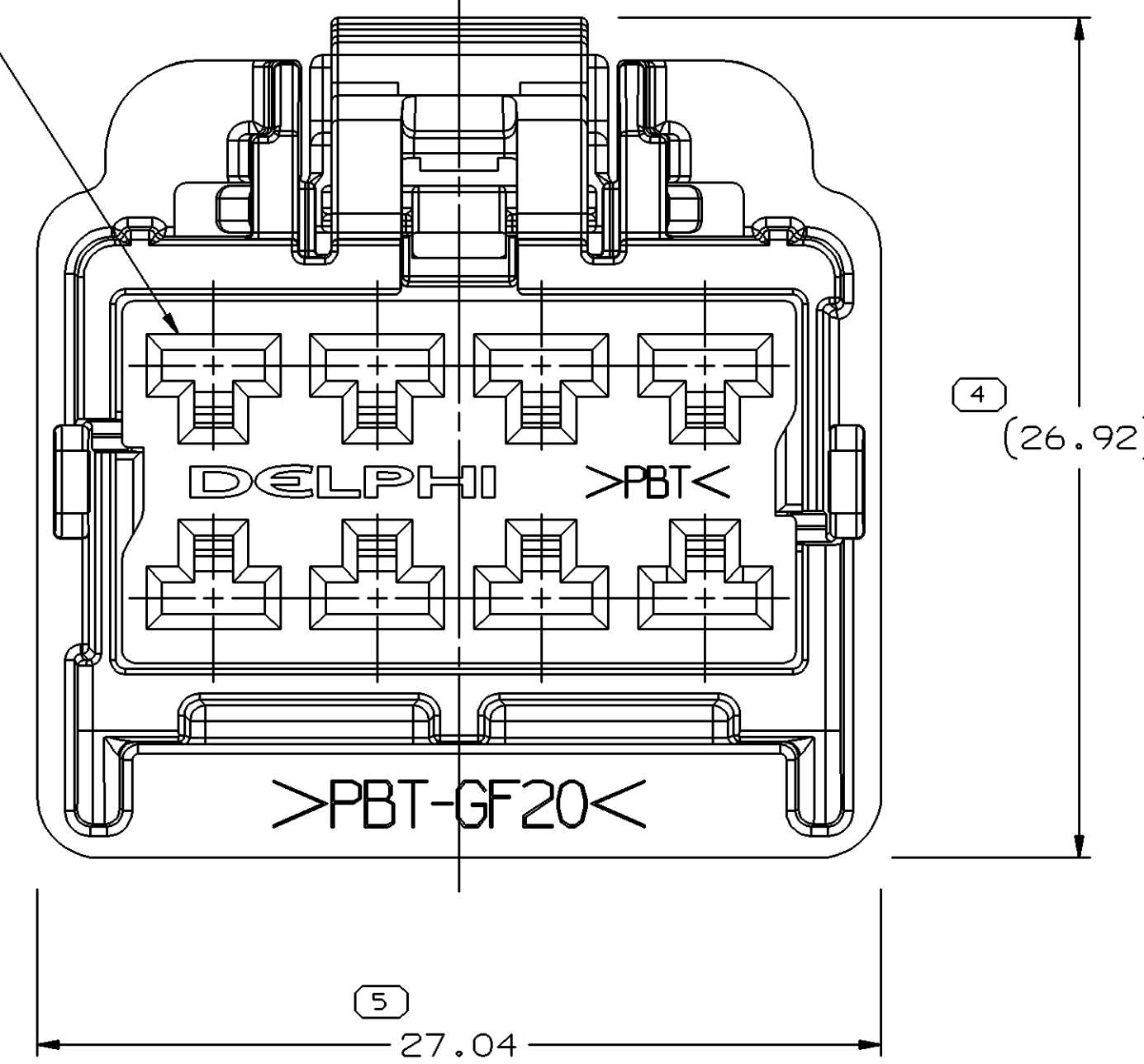
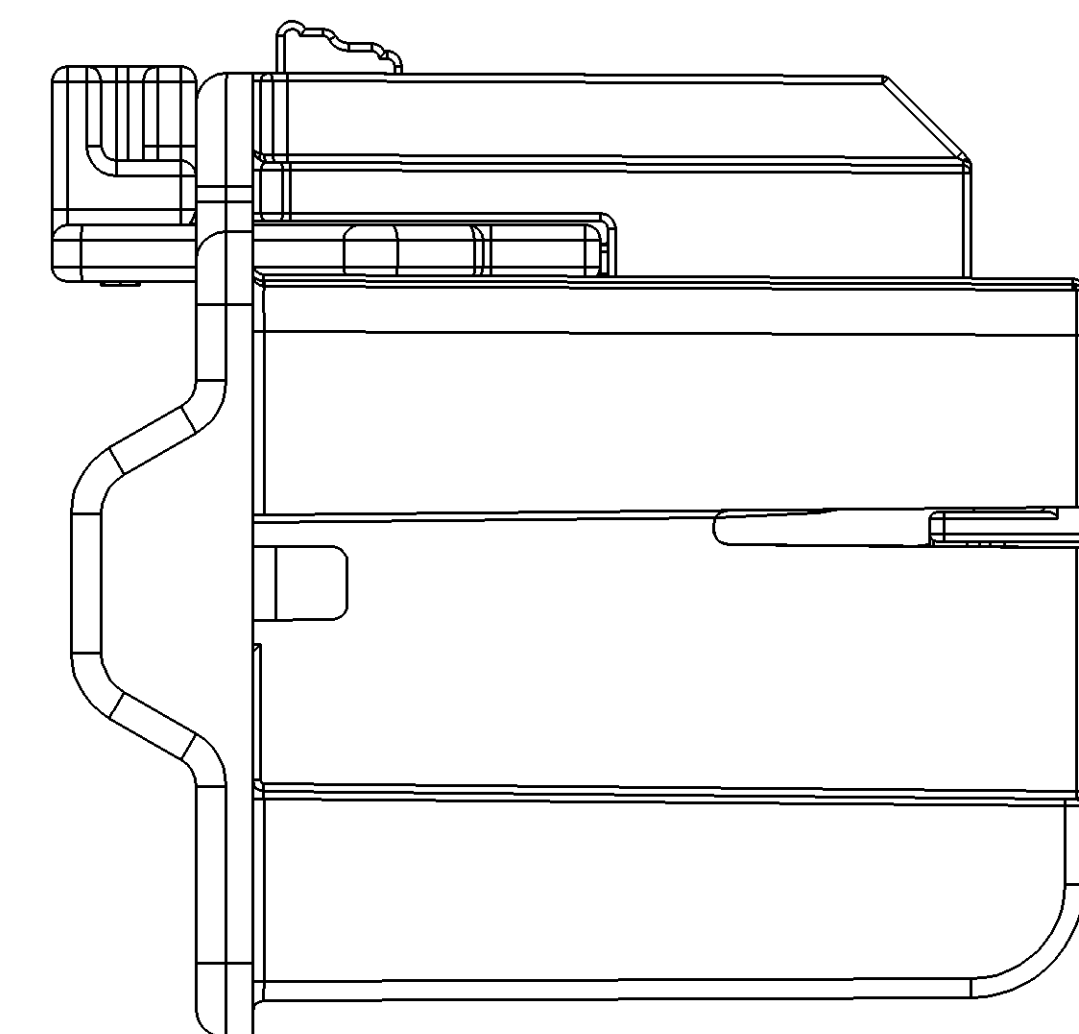
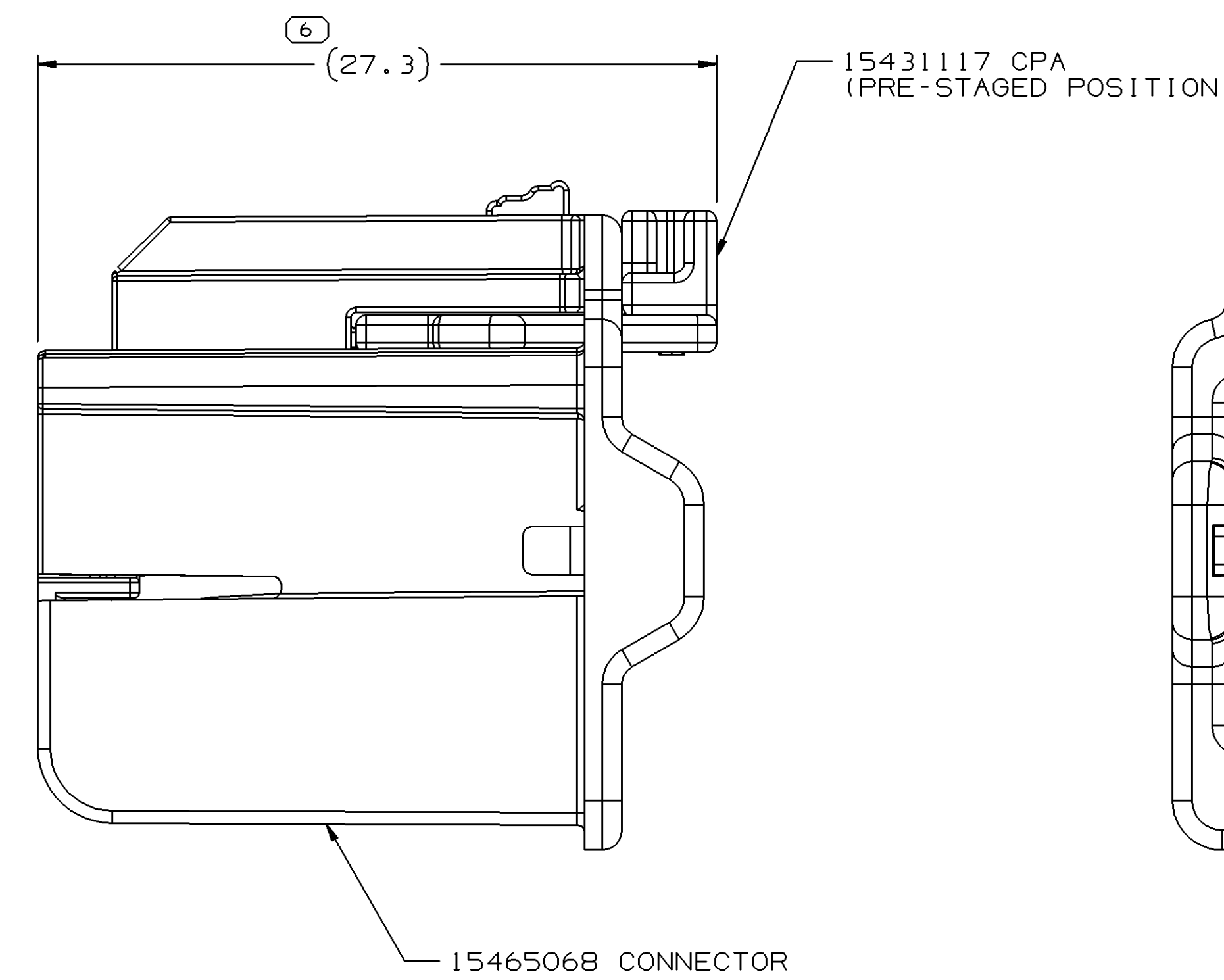
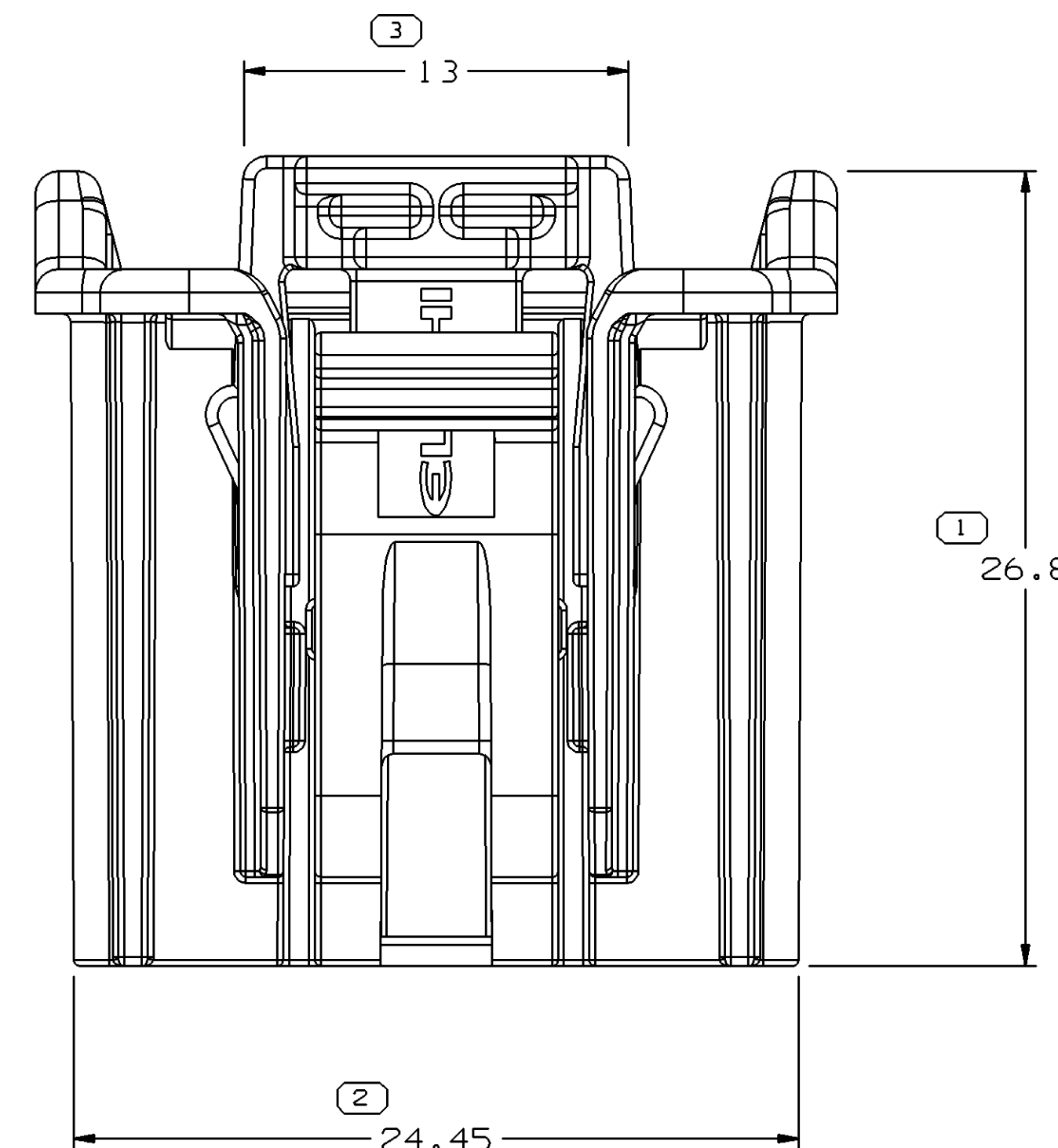


TYPE 104
SAME AS TYPE 101
EXCEPT AS SHOWN

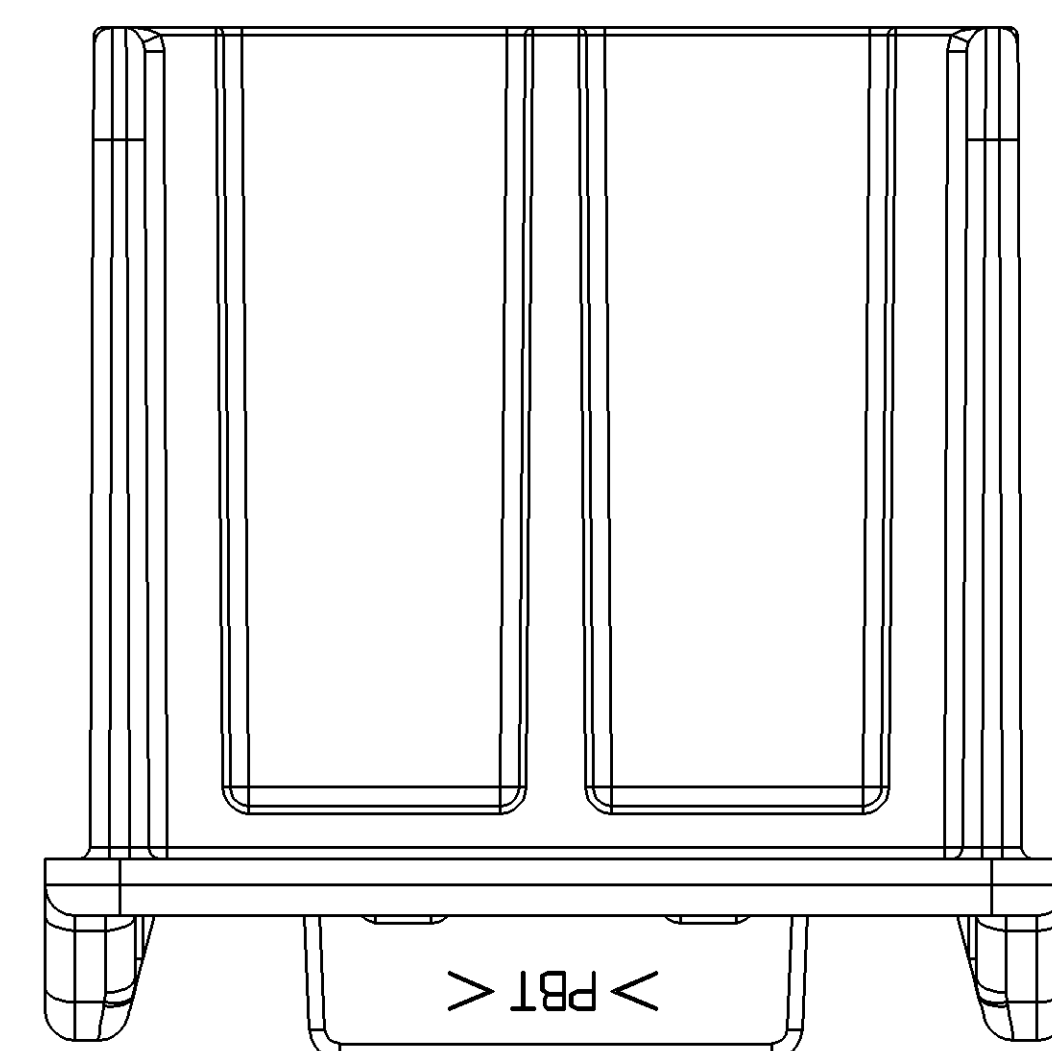
15465071 CONNECTOR

SYMBOL DEFINITION		TOTAL NO OF INSPECTIONS REQUIRED		MISSING SYMBOLS	
A DIMENSION WITHOUT AN INSPECTION REPORT SYMBOL DOES NOT REQUIRE INSPECTION. IT MAY BE CONTROLLED ON THE INDIVIDUAL COMPONENT DRAWING.			6	NO MISSING SYMBOL NUMBER	
		LAST NO. USED	6		

DWO STATUS						REVISION HISTORY				AUTH		
DATE	STG	REV	N/P	CHG	ZONE							
05MY03	R	01	-	-		ALL PARTS - RELEASED	239536	JAA	JAA	FKL		
210C04	R	02	-	-		ALL PARTS - REVISED DIM #4 TO REF DIM	260464	DAD	DAD	FKL		
23MR05	R	03	-	-		ALL PARTS - DRAWING NAME WAS TAXI CONN F M/P 280	265894	MDH	JAA	RB		



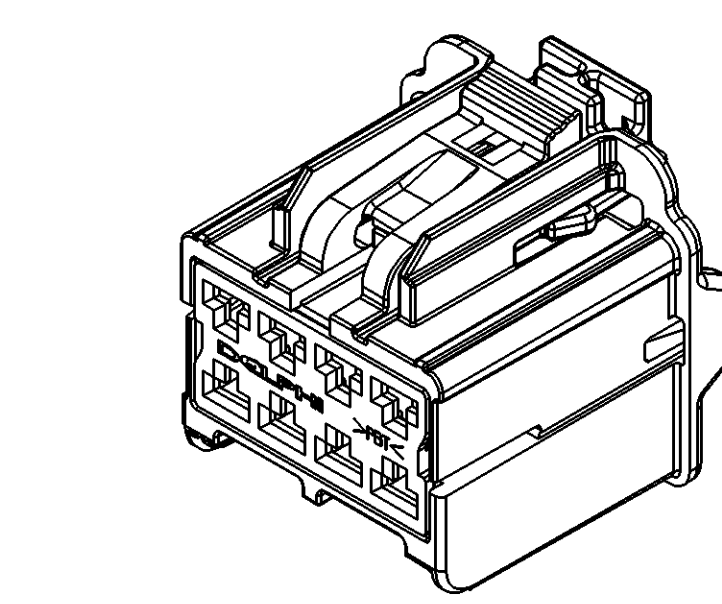
TYPE 101



NOTES

- UNLESS OTHERWISE SPECIFIED AND/OR INDICATED:
DIMENSIONS ARE TO FACE OF VIEW SHOWN AND AUTOMATICALLY ROUNDED BY COMPUTER FOR INSPECTION (SEE MATH MODEL FOR PRECISE DIMENSIONS). FOR ALL OTHER DIMENSIONS NOT SHOWN BUT REQUIRED FOR TOOL BUILD, SEE MATH MODEL FOR PRECISE TOOL PATH DATA.
- SEALING CODE 0 - UNSEALED
- THIS PART ACCEPTS THE FOLLOWING COMPONENTS OR EQUIVALENT:
TPA 8F 280 15465072
TERMINAL 15304712

ASM PART NO	REV	N/P	STATUS	MATERIAL SPECIFICATION AND COLOR	TYPE	MATING CONNECTOR	USCAR TYPE
15465059	01	AB		M4629007 PBT GF20 GRN	104		D
15465058	01	AB		M4629010 PBT GF20 BRN	103		C
15465057	01	AB		M4629003 PBT GF20 GRA	102		B
15465056	01	AB		M4629002 PBT GF20 BLK	101	15464945	A



VIEW SCALE DOES NOT REFLECT ACTUAL PART SIZE

DWO TYPE		PART DRAWING	
VOLUME (CM³)	DISTR CODE	D	
UNLESS OTHERWISE SPECIFIED			
THIS DOCUMENT IS IN ACCORDANCE WITH ASME Y14.5M-1994 AS AMENDED BY THE 2003 DIMENSIONING AND TOLERANCING ADDENDUM - 1997. ALL GEOMETRIC TOLERANCES AND RELATED DATUM APPLICABLE TO THIS DRAWING ARE IN ACCORDANCE WITH THE 2003 DIMENSIONING AND TOLERANCING ADDENDUM - 1997. ALL DIMENSIONS ARE IN MILLIMETERS UNLESS OTHERWISE SPECIFIED.			
TOLERANCE UNLESS OTHERWISE SPECIFIED			
DIMENSIONAL RANGE (MM)			
FROM	> 0	> 20	> 30
TO	20	30	70
TOLERANCE UNLESS OTHERWISE SPECIFIED			
10, 15 ±0.2 ±0.3 ±0.4 ±0.5 ±0.6 ±0.8 ±1 ±1.2			
ANGULAR TOLERANCE 12°			
(N/A) PROCESS SENSITIVE DIMENSION			
DIMENSIONS ENCLOSED IN () INDICATE RETRIEVE DIMENSIONS AND NO TOLERANCE LIMITS ARE ESTABLISHED			
THIRD ANGLE PROJECTION		DO NOT SCALE	
USE MATH DATA		UNSPRINGS	

DELPHI
DELPHI PACKARD ELECTRIC SYSTEMS
WARREN, OH

DR	DATE
APVD1 J.S. ALVARADO	09MY03
APVD2 J.S. ALVARADO	09MY03
APVD3 F. LITTLEFIELD	16MY03
APVD4	
APVD5	

SUBSTANCES OF CONCERN AND RECYCLED CONTENT PER DELPHI 10949001

MATERIAL SEC CHART

DRAWING NAME
TAXI CONN 8 F GT 280

DRAWING NUMBER
15465055

SIZE A0 SCALE 5:1 FRAME NO 1 OF 1 SHEET NO 1 OF 1 REV N/P R 03

X-ON Electronics

Largest Supplier of Electrical and Electronic Components

Click to view similar products for [Automotive Connectors](#) category:

Click to view products by [APTIV](#) manufacturer:

Other Similar products are found below :

[003-018-000](#) [60403001](#) [60993906-B](#) [629515004020001](#) [M902-2131](#) [M902-2161](#) [72.330.1035.1](#) [73.353.4028.0](#) [F119300-B](#) [F166900](#)
[F258300-B](#) [F358300-B](#) [F407400](#) [F444110](#) [F487000](#) [F509500B-B](#) [827153-1](#) [8N1515-32-24P](#) [9-1326729-8](#) [925474-1](#) [928905-1](#) [964562-4](#)
[968782-1](#) [GT17SA-8DS-HU](#) [98891-1012](#) [98947-1016](#) [12004475-L](#) [12010290](#) [12010309-B](#) [12015454](#) [12020219-B](#) [12020308](#) [12041318-B](#)
[12052225-L](#) [12052466](#) [12059125](#) [12064869](#) [12004327-B](#) [12010503-B](#) [12015308](#) [12015384](#) [12015909](#) [1-21030-1](#) [12041254](#) [12041318](#)
[12047946-B](#) [12047957](#) [12047957-L](#) [12059473](#) [12066261](#)