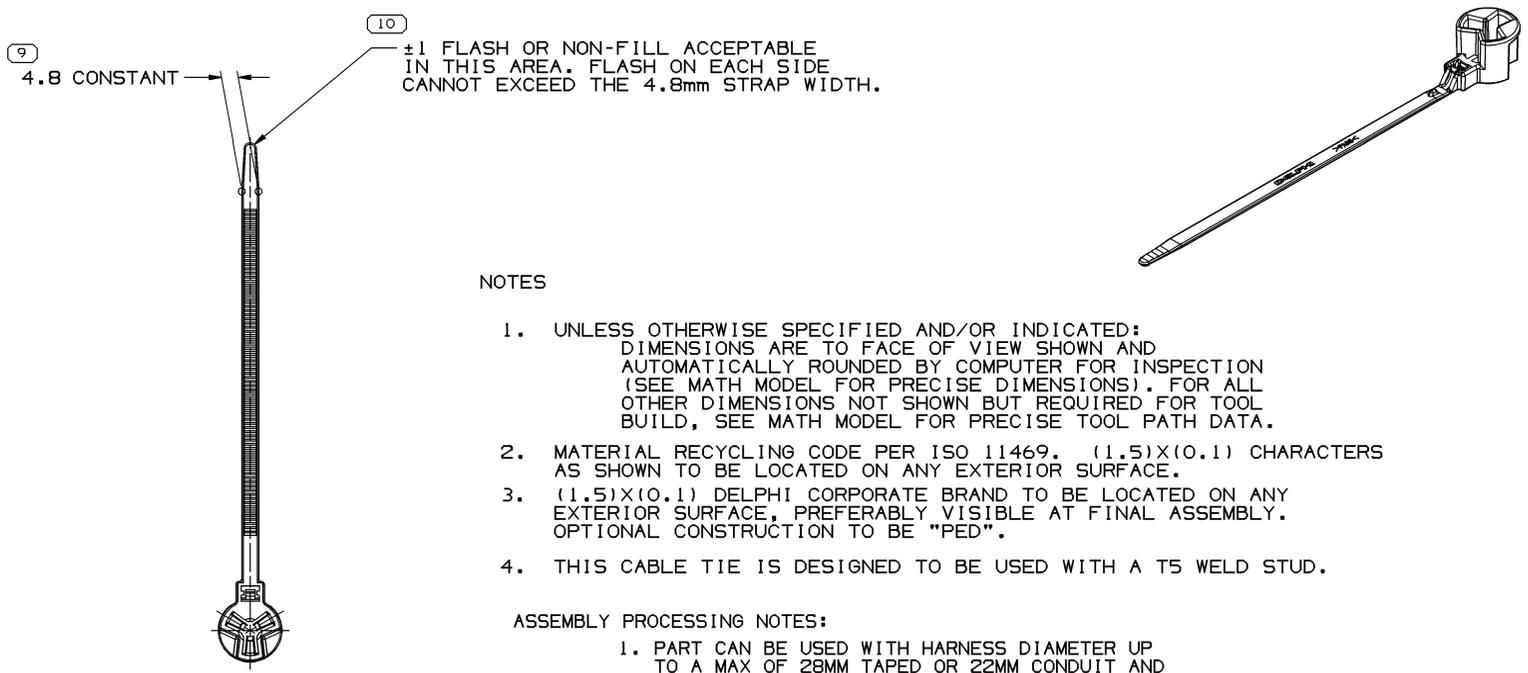
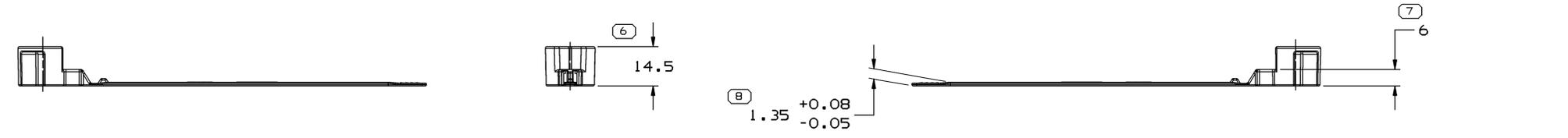
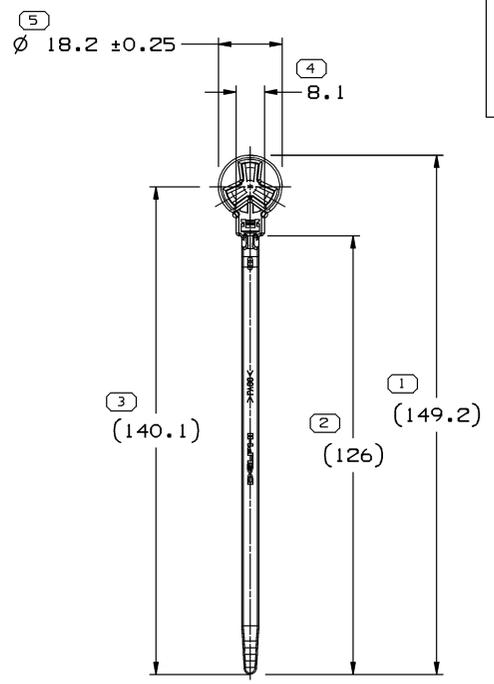


SYMBOL DEFINITION		MISSING SYMBOLS	
A DIMENSION WITHOUT AN INSPECTION REPORT SYMBOL () DOES NOT REQUIRE INSPECTION. IT MAY BE CONTROLLED ON THE INDIVIDUAL COMPONENT DRAWING.	TOTAL NO OF INSPECTIONS REQUIRED	NO MISSING SYMBOL NUMBER	
	10		
	LAST NO. USED		
	10		

DWG STATUS		ZONE		REVISION HISTORY		AUTH	DR	APVD 1	APVD 2
DATE	STG	REV	N/P	CHG					
09JN03	R	01	-	-	WAS PE117888 AND RELEASED	242303	ECB	AUG	GCD
100C03	R	02	-	-	ADDED RIB; REVISED MATERIAL RECYCLING CODE NOTE	247227	ADK	BB	GCD
210C03	R	03	-	-	REVISED MODEL & UPDATED PDM ATTRIBUTES	247594	EES	EES	GCD
270C03	R	03	AA	-	REVISED MODEL & UPDATED PDM ATTRIBUTES	247995	EES	EES	GCD
19FE04	R	04	-	-	UPDATED MAT'L M3592018 WAS M3592025; REVISED NOTE, LOCK, STRAP AND DIM B.	252172	DAD	DAD	GCD
14AP04	R	04	AA	-	REVISED DIMS & NOTE IN TOD	253847	LMB	LMB	GD
19AP04	R	04	AB	-	REVISED PRINT TO MATCH PART	254185	RH	RH	GCD
21AP04	R	04	AC	-	ADDED FLASH NOTE	254306	MAC	MAC	GCD
10SE04	R	04	AD	-	UPDATED FORMAT AND PDM ATTRIBUTES	258911	BRB	BRB	GCD
22SE04	R	04	AE	-	PART OBSOLETE, REPLACED BY 13512189	259436	LMB	LMB	GCD
09DE04	R	04	AF	-	REINSTATED & UPDATED PDM ATTRIBUTES	261828	JTV	FKV	GCD
26SE05	R	05	-	-	REVISED MODEL AND UPDATED PDM ATTRIBUTES	272217	EES	EES	GCD
06JA06	R	05	AA	-	ESDS3054503/03 WAS S3054531/01	276154	CJP	CJP	GCD



NOTES

- UNLESS OTHERWISE SPECIFIED AND/OR INDICATED: DIMENSIONS ARE TO FACE OF VIEW SHOWN AND AUTOMATICALLY ROUNDED BY COMPUTER FOR INSPECTION (SEE MATH MODEL FOR PRECISE DIMENSIONS). FOR ALL OTHER DIMENSIONS NOT SHOWN BUT REQUIRED FOR TOOL BUILD, SEE MATH MODEL FOR PRECISE TOOL PATH DATA.
- MATERIAL RECYCLING CODE PER ISO 11469. (1.5)X(0.1) CHARACTERS AS SHOWN TO BE LOCATED ON ANY EXTERIOR SURFACE.
- (1.5)X(0.1) DELPHI CORPORATE BRAND TO BE LOCATED ON ANY EXTERIOR SURFACE, PREFERABLY VISIBLE AT FINAL ASSEMBLY. OPTIONAL CONSTRUCTION TO BE "PED".
- THIS CABLE TIE IS DESIGNED TO BE USED WITH A T5 WELD STUD.

ASSEMBLY PROCESSING NOTES:

- PART CAN BE USED WITH HARNESS DIAMETER UP TO A MAX OF 28MM TAPED OR 22MM CONDUIT AND A MIN DIA OF 4MM.
- APPLY TO HARNESS WITH PANDUIT GUN GS2B (MANUAL). GUN TO BE SET AT "STD" AND A TENSION OF 6-8.

7) PROCESS SENSITIVE DIMENSION	
DIMENSIONS ENCLOSED IN () INDICATE REFERENCE DIMENSIONS AND NO TOLERANCE LIMITS ARE ESTABLISHED.	
DIMENSIONAL RANGE (MM)	CHART E1
FROM TO	> 0 > 20 > 30 > 70 > 100 > 150 > 200 > 250 > 300 > 400
TOLERANCE UNLESS OTHERWISE SPECIFIED	
±0.15 ±0.2 ±0.3 ±0.4 ±0.5 ±0.6 ±0.8 ±1 ±1.2	
ANGULAR TOLERANCE ±2°	

DWG TYPE PART DRAWING	
STYLE	
VOLUME (CM ³) 2.437	DISTR CODE D
UNLESS OTHERWISE SPECIFIED THIS DOCUMENT IS IN ACCORDANCE WITH ASME Y14.5M-1994 AS AMENDED BY THE 2003 GLOBAL DIMENSIONING AND TOLERANCING ADDENDUM - 1997. ALL GEOMETRIC TOLERANCES AND RELATED DATUMS APPLY RFS. RULE #1 (PERFECT FORM AT MMC) DOES NOT APPLY WHEN RELATIONSHIP BETWEEN FEATURES IS ESTABLISHED BY ORIENTATION OR LOCATION TOLERANCES. SEPARATE POSITION CALLOUTS MAY BE GAGED SEPARATELY, REGARDLESS OF DATUM REFERENCE. ALL DIMENSIONS ARE IN MILLIMETERS	
REFERENCE	
THIRD ANGLE PROJECTION	DO NOT SCALE USE MATH DATA

DELPHI
DELPHI PACKARD ELECTRIC SYSTEMS
WARREN, OH

DR	DATE
APVD1 E.A. CACHO	17JN03
APVD2 A UGALDE G	18JN03
APVD3 GARY C. DETTER	19JN03
APVD4	
APVD5	

SUBSTANCES OF CONCERN AND RECYCLED CONTENT PER DELPHI 10949001

MATERIAL M3592018 PA66 HS IM GRA DRK

DRAWING NAME MOUN WIRE TIE CLIP HD PUSH NUT M6

DRAWING NUMBER 15465829

SIZE A1	SCALE 1:1	FRAME NO 1 OF 1	SHEET NO 1 OF 1	STG R	REV 05	N/P AA
---------	-----------	-----------------	-----------------	-------	--------	--------

X-ON Electronics

Largest Supplier of Electrical and Electronic Components

Click to view similar products for [Automotive Connectors](#) category:

Click to view products by [APTIV](#) manufacturer:

Other Similar products are found below :

[003-018-000](#) [60403001](#) [60993906-B](#) [629515004020001](#) [M902-2131](#) [M902-2161](#) [72.330.1035.1](#) [73.353.4028.0](#) [F119300-B](#) [F166900](#)
[F258300-B](#) [F358300-B](#) [F407400](#) [F444110](#) [F487000](#) [F509500B-B](#) [827153-1](#) [8N1515-32-24P](#) [9-1326729-8](#) [925474-1](#) [928905-1](#) [964562-4](#)
[968782-1](#) [GT17SA-8DS-HU](#) [98891-1012](#) [98947-1016](#) [12004475-L](#) [12010290](#) [12010309-B](#) [12015454](#) [12020219-B](#) [12020308](#) [12041318-B](#)
[12052225-L](#) [12052466](#) [12059125](#) [12064869](#) [12004327-B](#) [12010503-B](#) [12015308](#) [12015384](#) [12015909](#) [1-21030-1](#) [12041254](#) [12041318](#)
[12047946-B](#) [12047957](#) [12047957-L](#) [12059473](#) [12066261](#)