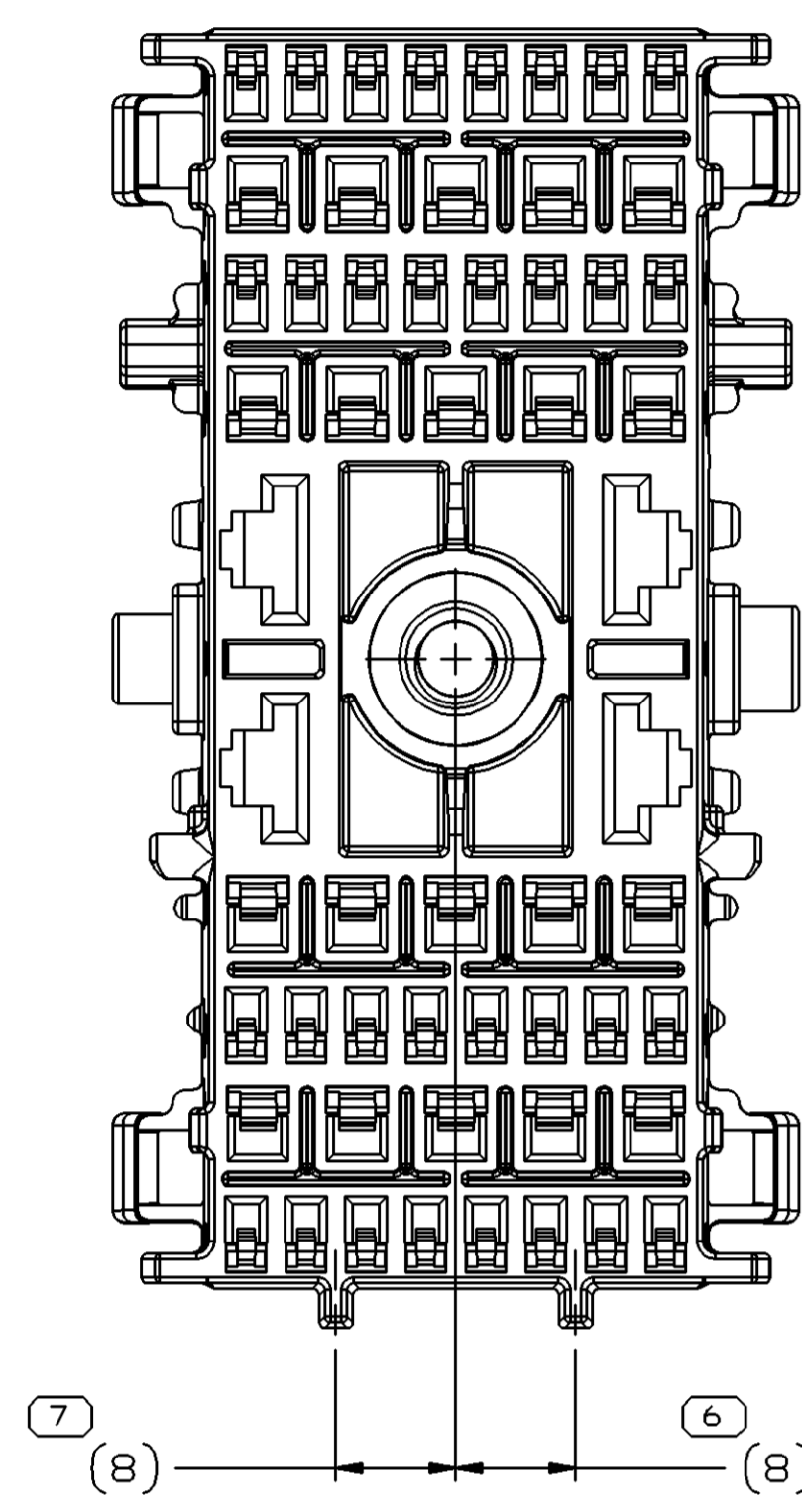
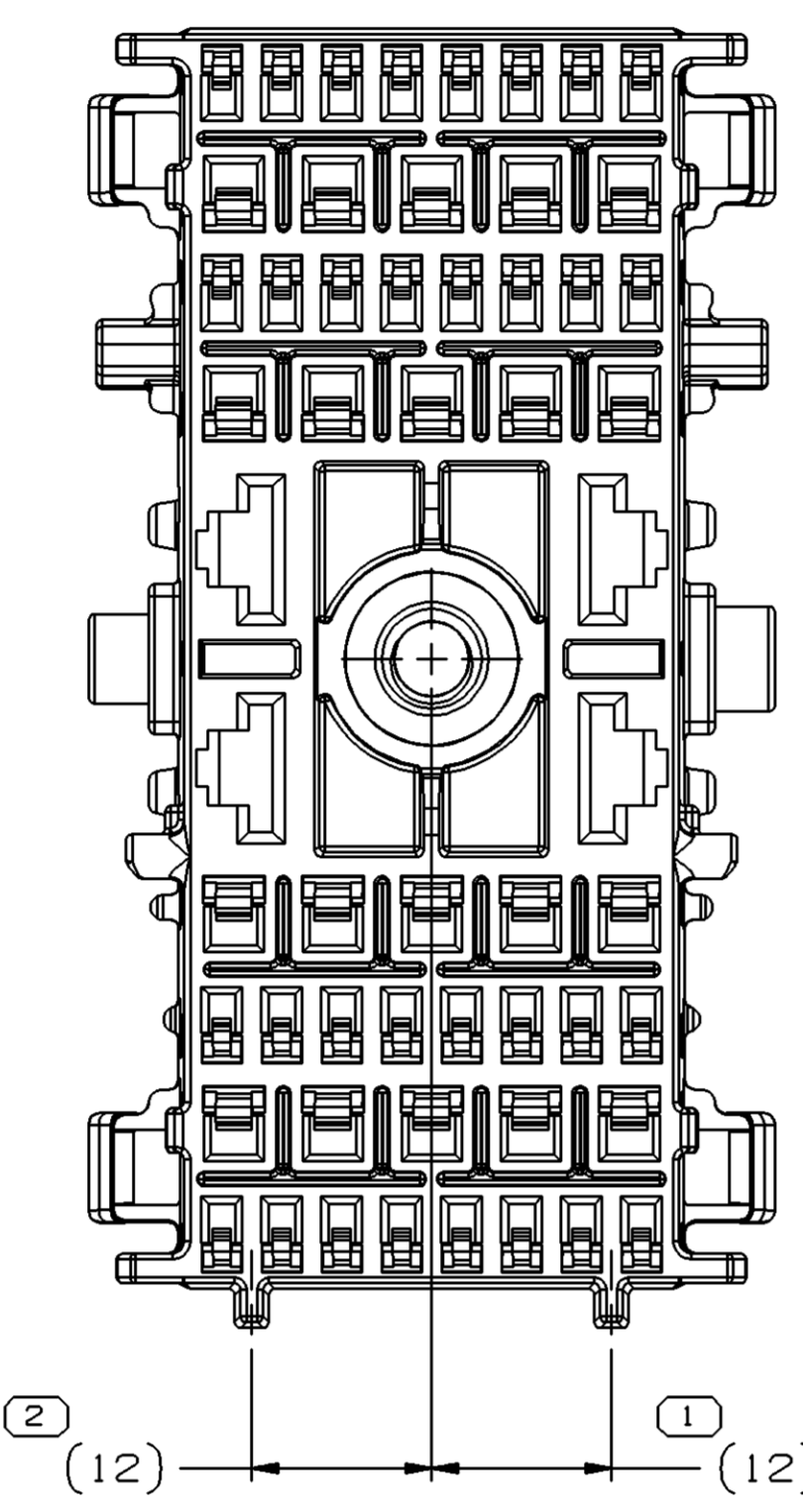


SYMBOL DEFINITION		TOTAL NO OF INSPECTIONS REQUIRED	MISSING SYMBOLS
A DIMENSION WITHOUT AN INSPECTION REPORT SYMBOL DOES NOT REQUIRE INSPECTION. IT MAY BE CONTROLLED ON THE INDIVIDUAL COMPONENT DRAWING.		7	NO MISSING SYMBOL NUMBER
		LAST NO. USED	7

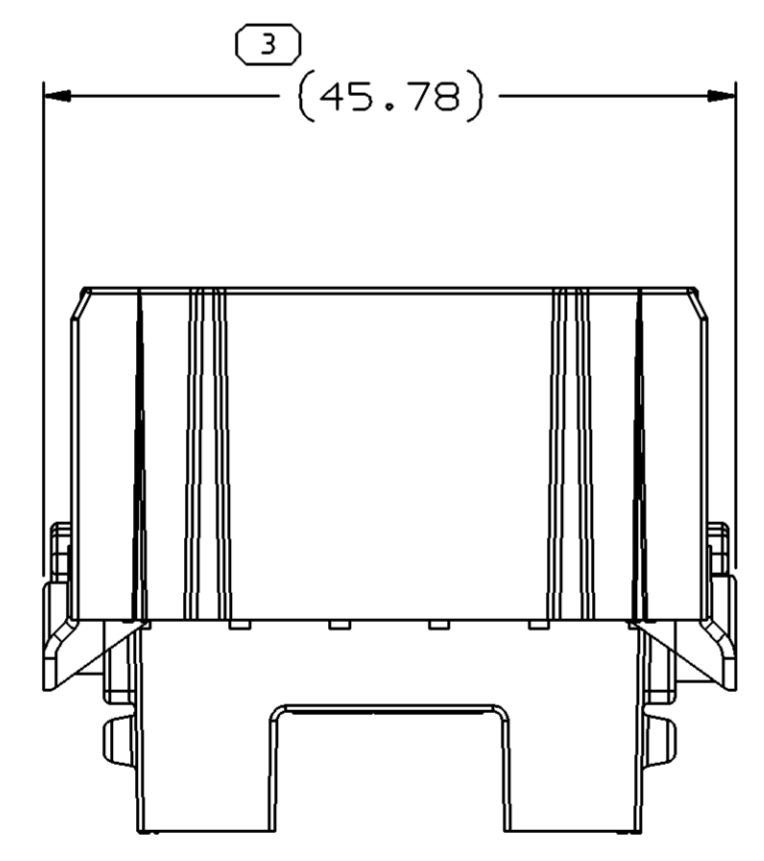
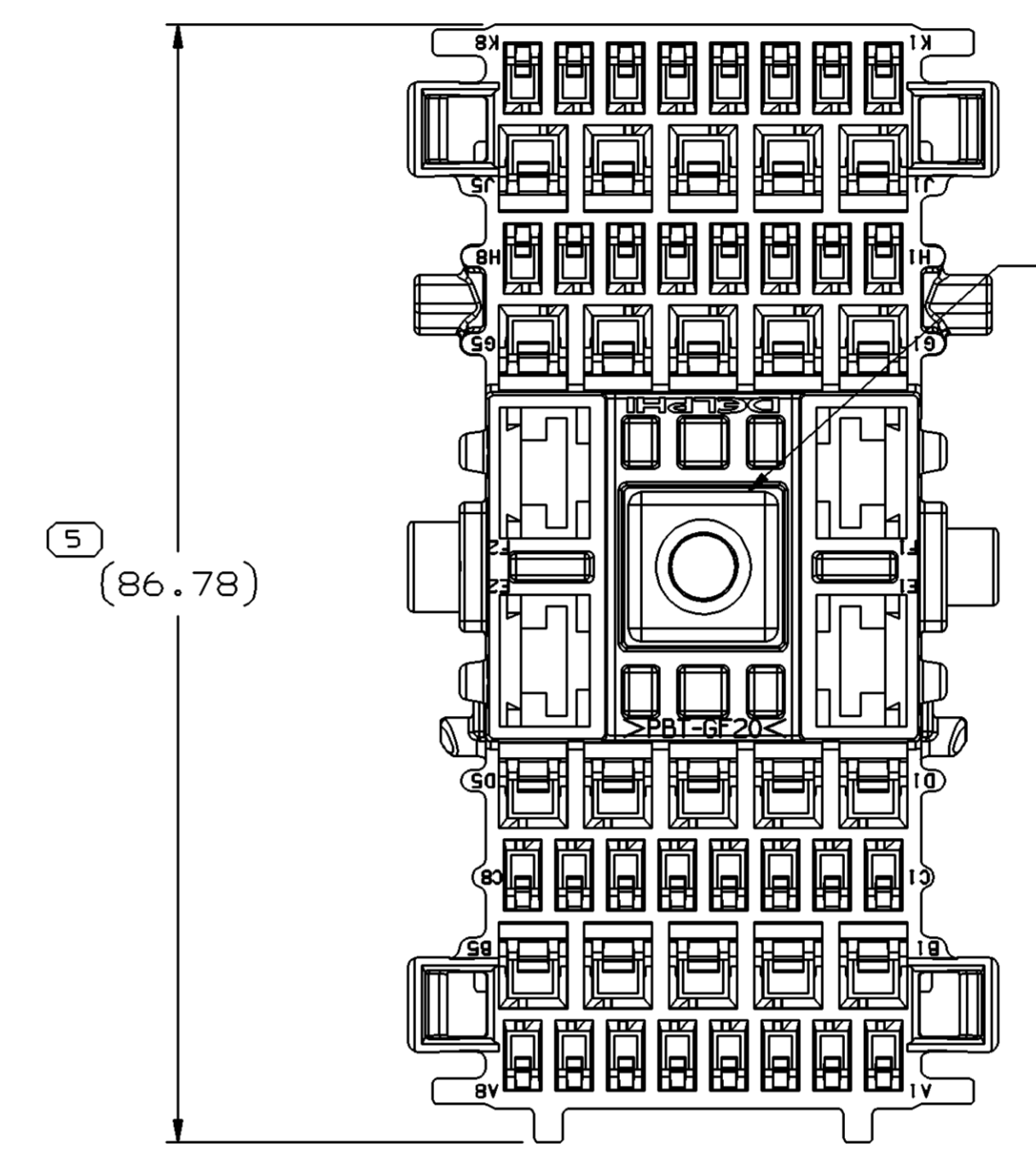
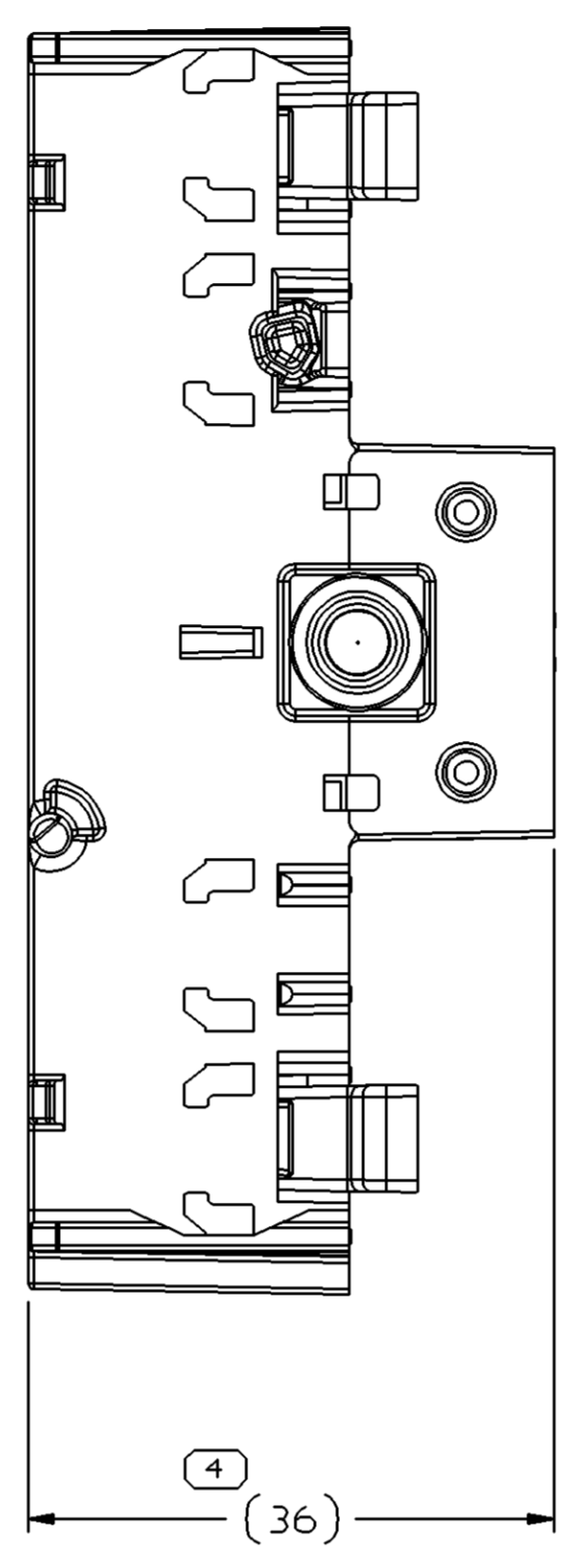
DWO STATUS				ZONE		REVISION HISTORY		AUTH	DR	APVD
DATE	STG	REV	N/P	CHO						
05DE03	-	01	-	-		ALL PARTS - RELEASED		248626	AKJ	AKJ/ABT
13AU04	R	02	-	-		ALL PARTS - UPDATED GRAPHICS		256856	EGR	EGR/SD



TYPE 102  
SAME AS TYPE 101  
EXCEPT AS SHOWN

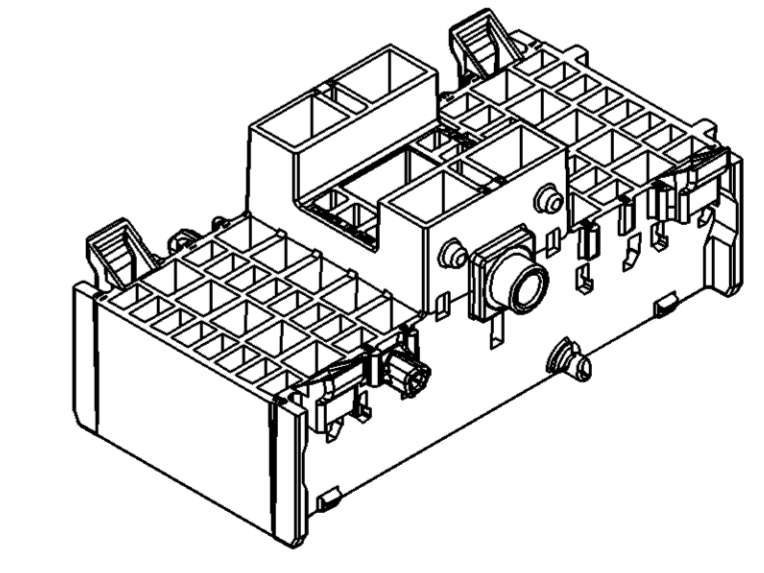


TYPE 101



NOTES

- UNLESS OTHERWISE SPECIFIED AND/OR INDICATED: DIMENSIONS ARE TO FACE OF VIEW SHOWN AND AUTOMATICALLY ROUNDED BY COMPUTER FOR INSPECTION (SEE MATH MODEL FOR PRECISE DIMENSIONS). FOR ALL OTHER DIMENSIONS NOT SHOWN BUT REQUIRED FOR TOOL BUILD, SEE MATH MODEL FOR PRECISE TOOL PATH DATA.
- SEALING CODE 0 - UNSEALED
- THIS PART ACCEPTS THE FOLLOWING COMPONENTS OR EQUIVALENT:  
CAVITIES A1 TO A8, C1 TO C8, H1 TO H8 & K1 TO K8 TO ACCEPT 12191811 TERMINAL.  
MAX INSULATION CRIMP MUST BE LESS THAN XX HIGH AND XX WIDE.  
CAVITIES B1 TO B5, D1 TO D5, G1 TO G5 & J1 TO J5 TO ACCEPT 15304711 TERMINAL.  
MAX INSULATION CRIMP MUST BE LESS THAN X HIGH AND X WIDE.  
CAVITIES E1, E2, F1 & F2 TO ACCEPT 12065915 TERMINAL.  
MAX INSULATION CRIMP MUST BE LESS THAN X HIGH AND X WIDE.  
SECONDARY TERMINAL LOCK 15467562.  
WIRE DRESS COVER 15486309.
- ASSEMBLY NUT INSERT PUSH OUT FORCE IS 800 N MINIMUM.  
ASSEMBLY NUT SHALL NOT RATTLE AFTER CRIMP PROCESS



TYPE 101

PART NO	STG	REV	N/P	STATUS	TYPE	CONNECTOR	INSERT
15477823	R	02	-	-	102	15467561	15410323
15477822	R	02	-	-	101	15467560	15410323

DIMENSIONAL RANGE (MM)		TOLERANCE		CHART ET	
FROM	TO	±	ANGULAR TOLERANCE	±	ANGULAR TOLERANCE
> 0	> 20	±0.2	±0.1	±1	±1.2
> 20	> 30	±0.3	±0.1	±1	±1.2
> 30	> 70	±0.4	±0.1	±1	±1.2
> 70	> 100	±0.5	±0.1	±1	±1.2
> 100	> 150	±0.6	±0.1	±1	±1.2
> 150	> 200	±0.7	±0.1	±1	±1.2
> 200	> 250	±0.8	±0.1	±1	±1.2
> 250	> 300	±0.9	±0.1	±1	±1.2
> 300	> 400	±1.0	±0.1	±1	±1.2

DWO TYPE		PART DRAWING	
STYLE		DISTR CODE	D
VOLUME (CM³)			
UNLESS OTHERWISE SPECIFIED			
THIS DOCUMENT IS IN ACCORDANCE WITH ASME Y14.5M-1994 AS AMENDED BY THE ON-SIGNAL DIMENSIONING AND TOLERANCING ADDENDUM-2003. SEPARATE PATTERNING OF FEATURES MAY BE GIVEN SEPARATELY REGARDLESS OF DATUM REFERENCES.			
ALL DIMENSIONS ARE IN MILLIMETERS			
REFERENCE			

**DELPHI**  
DELPHI PACKARD ELECTRIC SYSTEMS  
WARREN, OH

DR	DATE
APVD1 ANAND JAGANATHAN	05DE03
APVD2 ANAND JAGANATHAN	05DE03
APVD3 ALAN TOOT	05DE03
APVD4	
APVD5	

SUBSTANCES OF CONCERN AND RECYCLED CONTENT PER DELPHI 10949001

MATERIAL SEC CHART

DRAWING NAME  
TAXI ASM CONN 56 F 6T 150 280 N/P 800

DRAWING NUMBER  
**15477821**

SIZE A0 SCALE 2:1 FRAME NO 1 SHEET NO 1 OF 1 STG REV N/P R 02

## X-ON Electronics

Largest Supplier of Electrical and Electronic Components

*Click to view similar products for [Automotive Connectors](#) category:*

*Click to view products by [APTIV](#) manufacturer:*

Other Similar products are found below :

[003-018-000](#) [60993906-B](#) [M902-2131](#) [M902-2161](#) [M902-2344](#) [72.330.1035.1](#) [73.353.4028.0](#) [F166900](#) [F358300-B](#) [F407400](#) [776880-1](#)  
[827153-1](#) [8N1515-32-24P](#) [9-1326729-8](#) [925474-1](#) [928905-1](#) [964562-4](#) [968782-1](#) [98891-1012](#) [12004475-L](#) [12020308](#) [12041318-B](#)  
[12052466](#) [12064869](#) [12015909](#) [1-21030-1](#) [12041254](#) [12041318](#) [12047946-B](#) [12110546-B](#) [12131792](#) [12084688](#) [12092346](#) [HD34-18-14PT](#)  
[HD46-24-23SN-059](#) [HDB36-24-16PN-059](#) [HDP26-24-9SE-L015](#) [12185280](#) [12185550](#) [12336-12](#) [12191172-B](#) [12S](#) [13545280](#) [13577943](#)  
[13681974](#) [13737722-B](#) [13830674](#) [13832576](#) [13849772](#) [13542772](#)