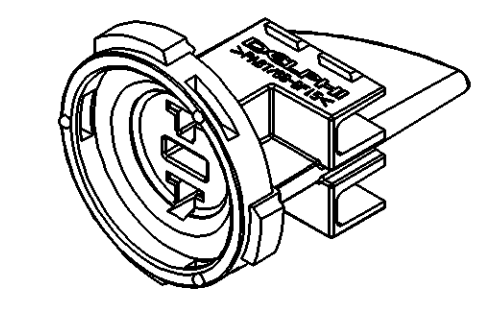
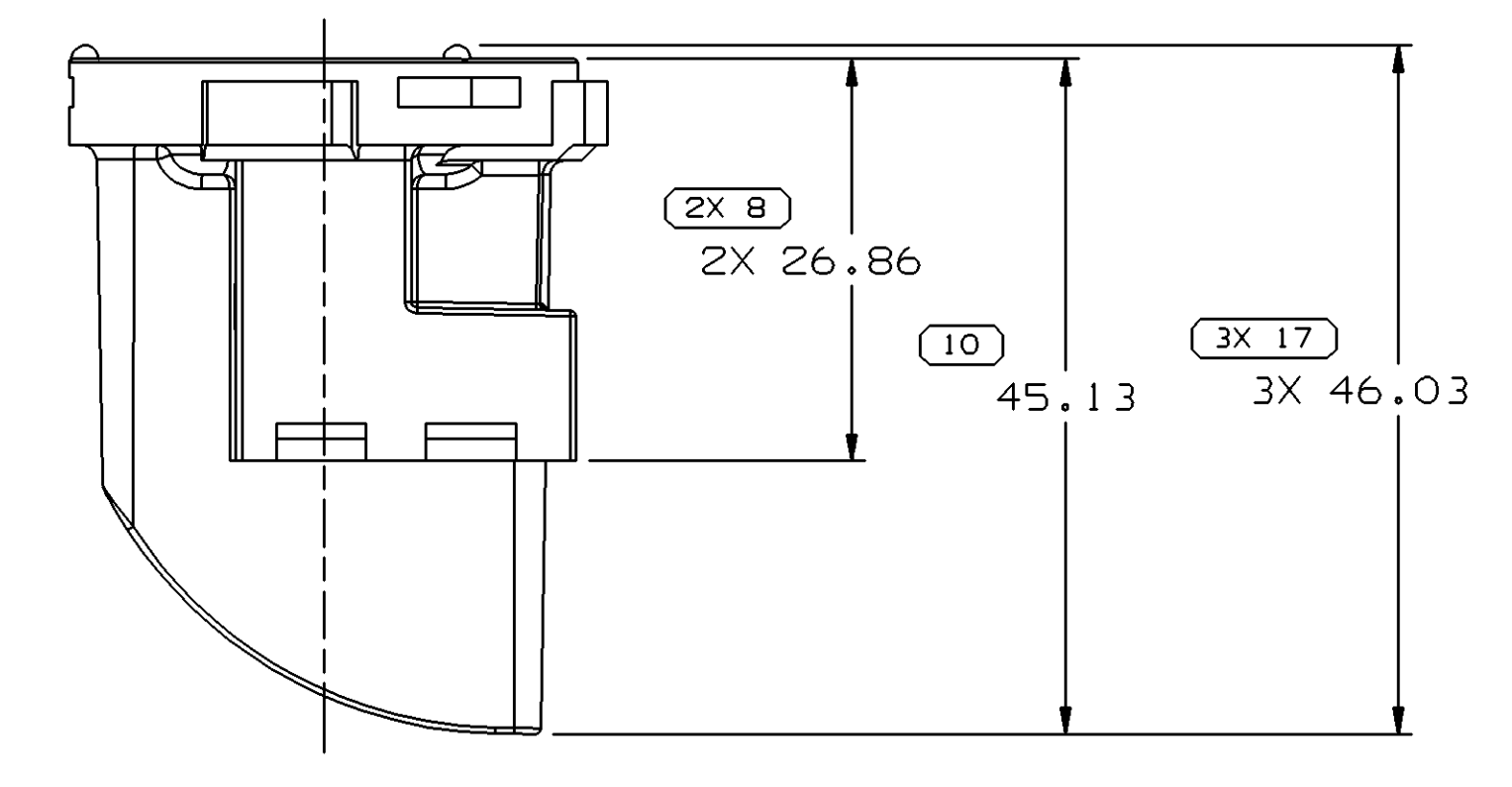
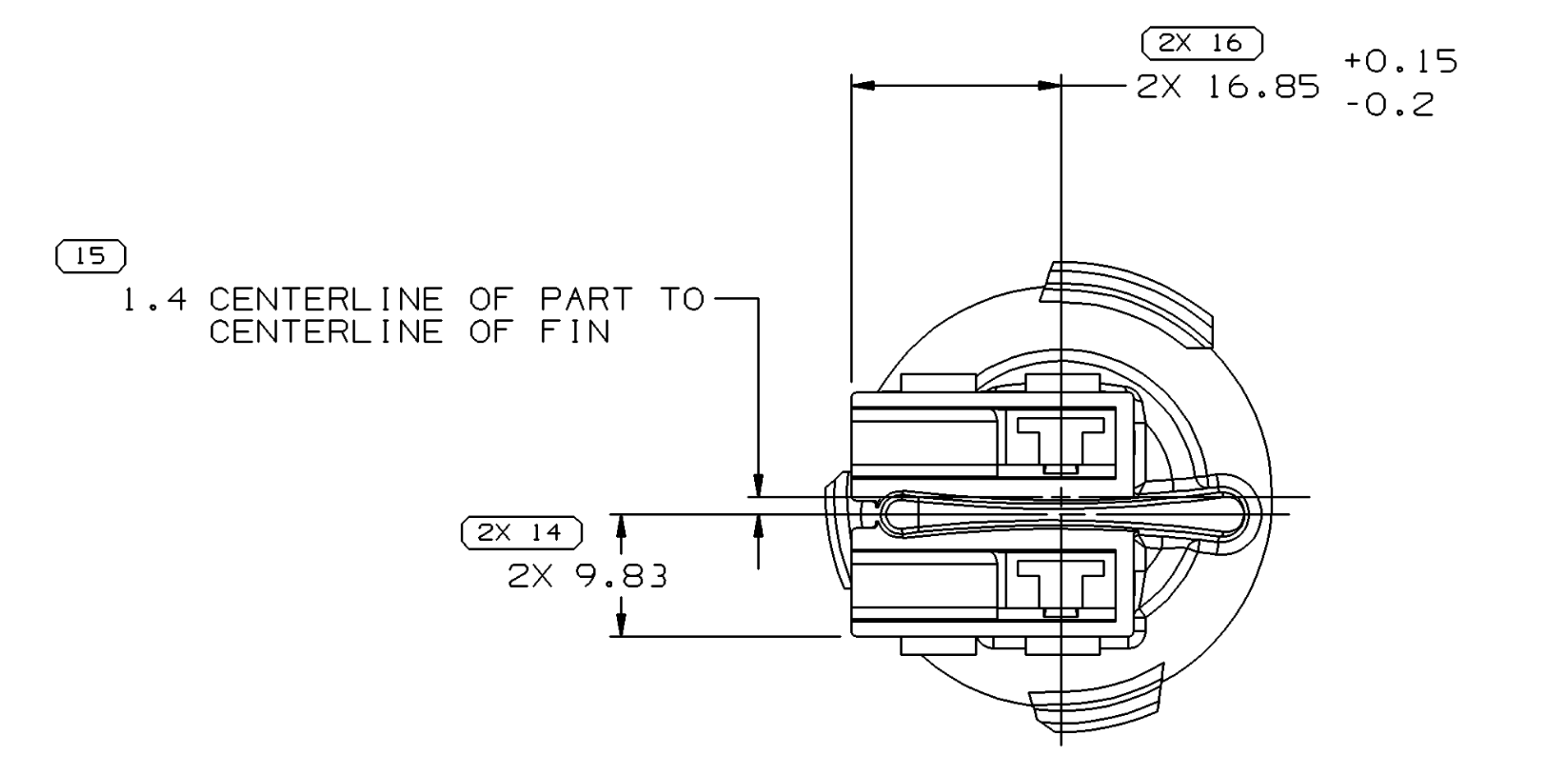
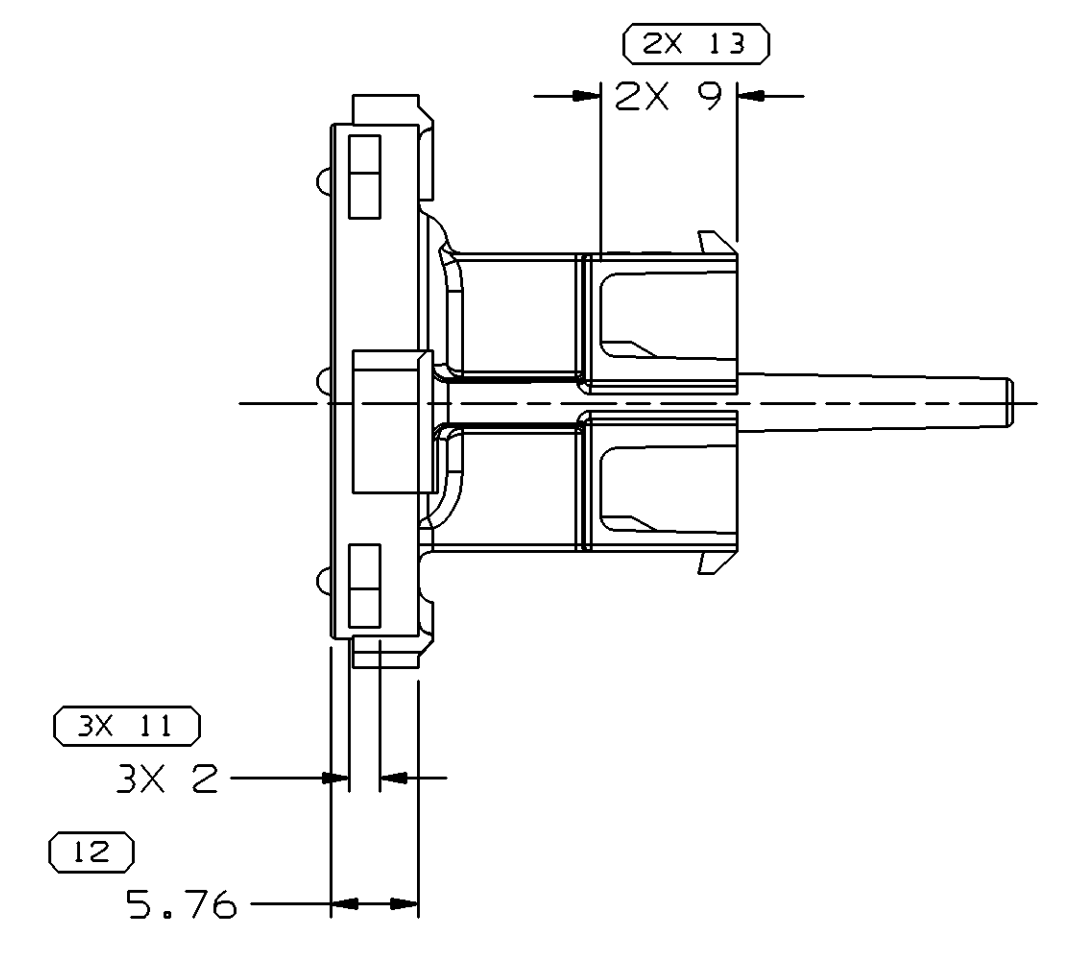
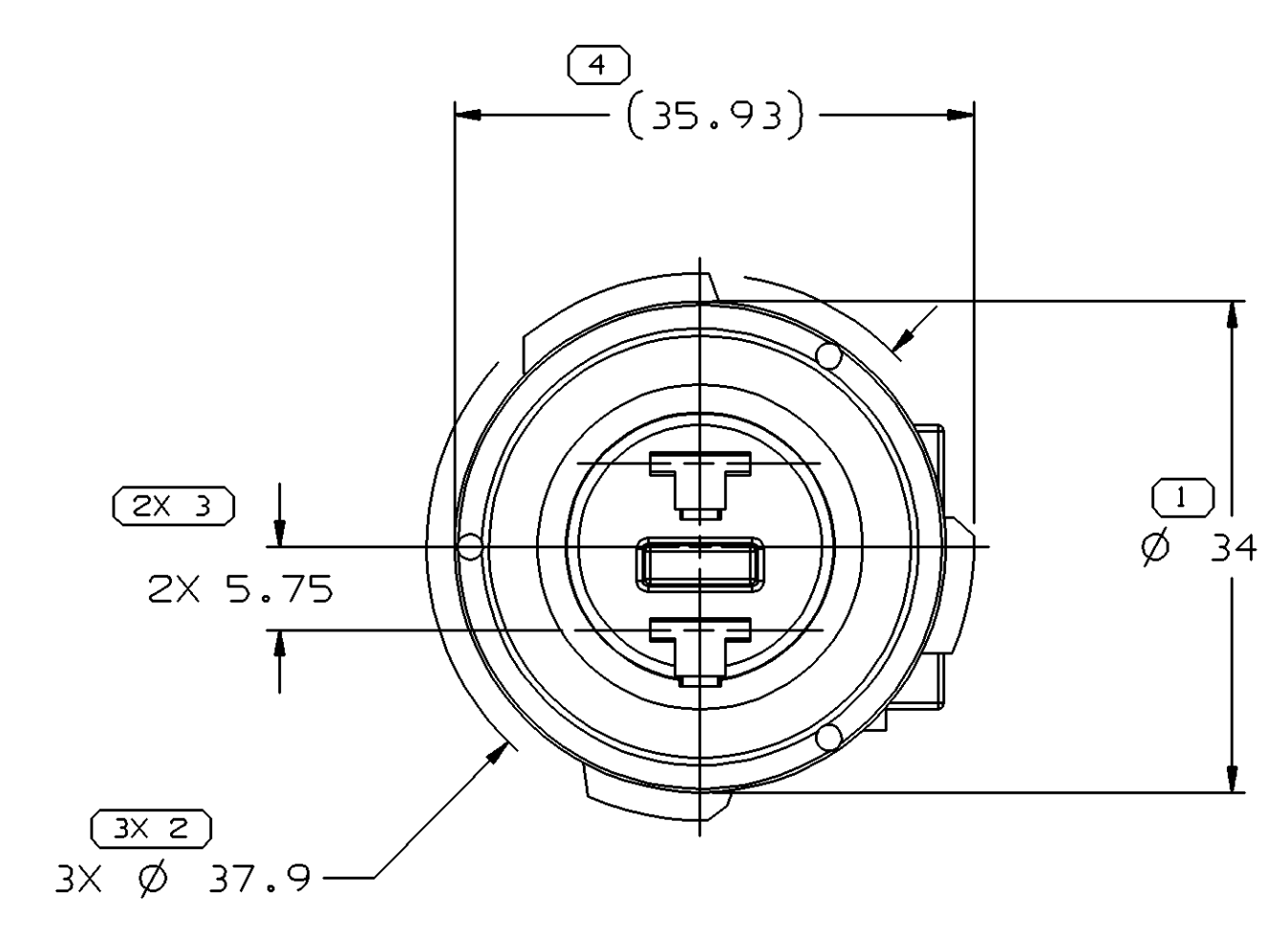
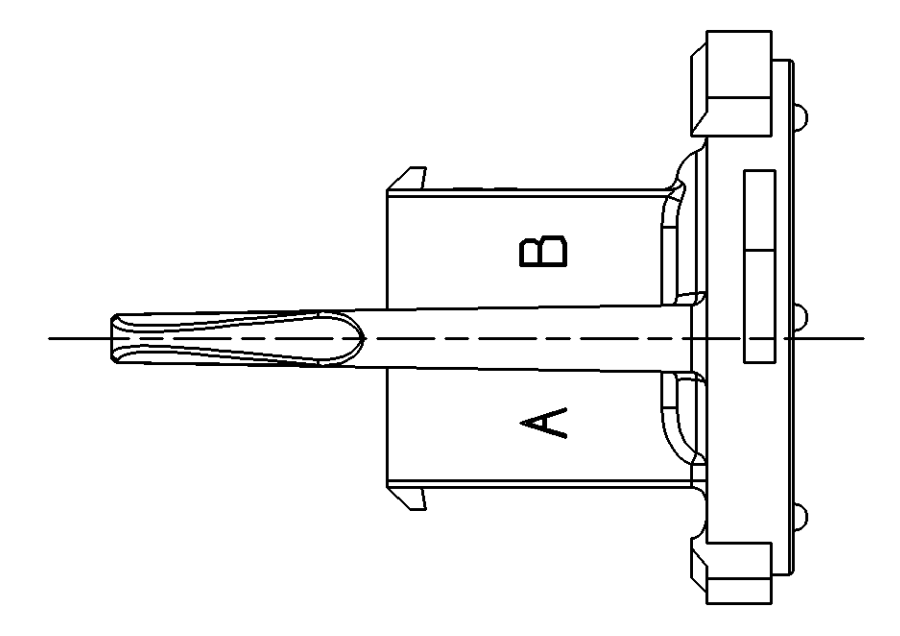
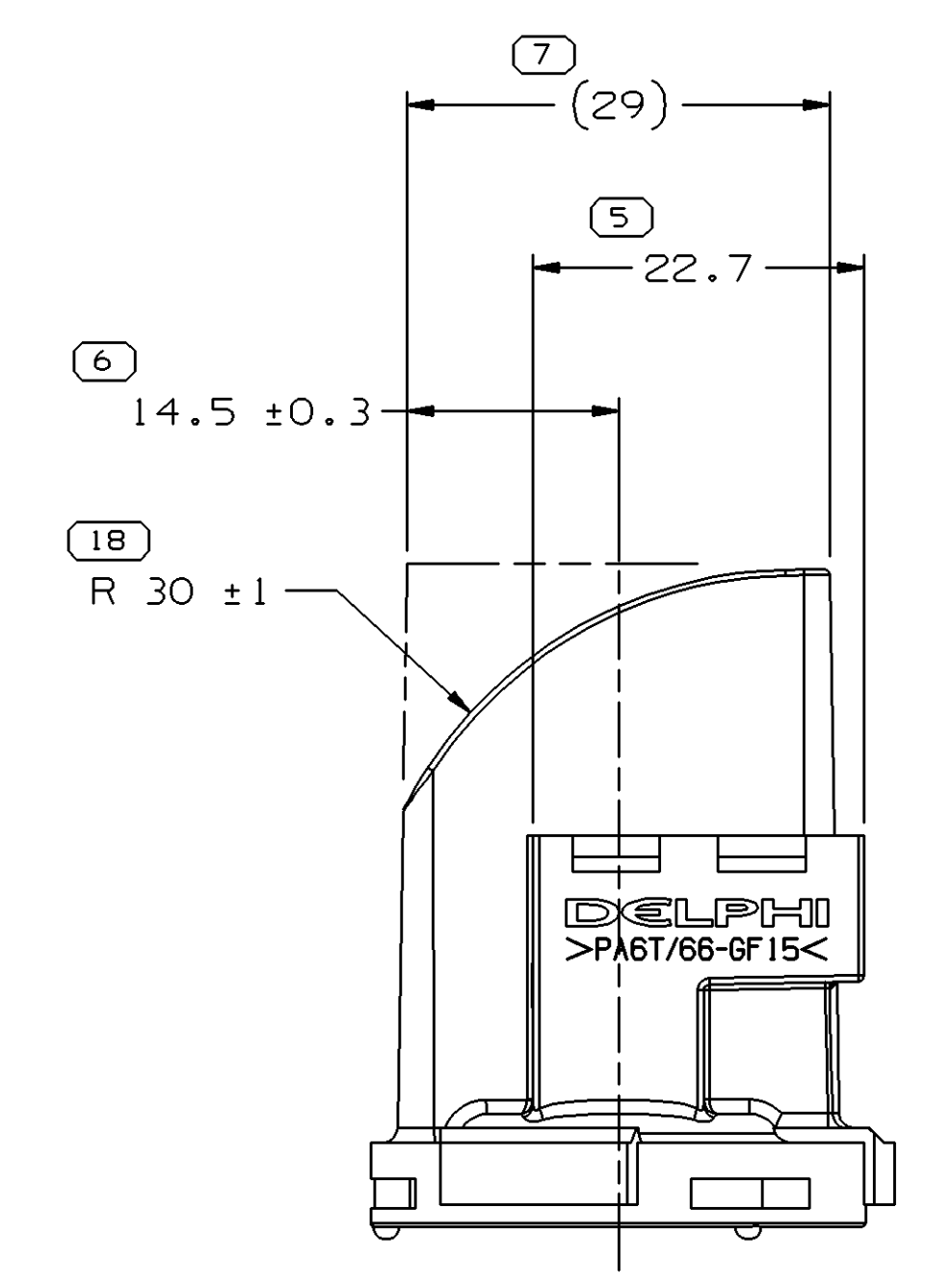


SYMBOL DEFINITION		TOTAL NO OF INSPECTIONS REQUIRED	
A DIMENSION WITHOUT AN INSPECTION REPORT SYMBOL DOES NOT REQUIRE INSPECTION. IT MAY BE CONTROLLED ON THE INDIVIDUAL COMPONENT DRAWING.		28	
	LAST NO. USED	18	

MISSING SYMBOLS						REVISION HISTORY		AUTH	DR	APVD	DATE
DATE	STG	REV	N/P	CHG	ZONE						
31JUL03	R	01	-	-		RELEASED		243436	EES	EES	MEF
15AUG03	R	02	-	-		REVISED GRAPHICS		244456	EES	EES	MEF
23SEP03	R	03	-	-		REMOVED INDEX FEATURES (2 PLCS) REVISED BUMPS AND CUTOUPS 30 DEG (3 PLCS) REVISED DIM (1 PLC)		246277	TAI	TAI	MEF
06NOV03	R	04	-	-		ADDED R 30; REVISED MATERIAL SPEC		248534	END	END	MEF
21MAY04	R	04	AA	-		14.5 ± 0.3 WAS 14.5, 2X 16.85 ± 0.15/-0.2 WAS 2X 16.85, R 30 ± 1 WAS R 30, 2X 26.86 WAS 2X 27.26, 45.13 WAS 45.53, 3X 46.03 WAS 3X 46.43.		254895	ESH	JVM	MEF
21JUN04	R	04	AB	-		MAT'L SPEC WAS M4628002		255780	ESH	FRG	MEF
27AUG04	R	04	AC	-		REVISED MAT'L DESCRIPTION; REVISED "MAT'L RECYCLING CODE" NOTE		258015	ADK	ADK	MEF



NOTES

- UNLESS OTHERWISE SPECIFIED AND/OR INDICATED: DIMENSIONS ARE TO FACE OF VIEW SHOWN AND AUTOMATICALLY ROUNDED BY COMPUTER FOR INSPECTION (SEE MATH MODEL FOR PRECISE DIMENSIONS). FOR ALL OTHER DIMENSIONS NOT SHOWN BUT REQUIRED FOR TOOL BUILD, SEE MATH MODEL FOR PRECISE TOOL PATH DATA.
- MATERIAL RECYCLING CODE PER ISO 11469. (1.5)X(0.1) RAISED CHARACTERS AS SHOWN TO BE LOCATED ON ANY EXTERIOR SURFACE. OPTIONAL CONSTRUCTION TO BE PA6T/66-GF15.
- THIS PART IS NOT CONTROLLED FOR AUTOMATIC FEEDING.
- MATING COMPONENTS OR EQUIVALENT: TERMINAL POSITION ASSURANCE - 15474008 OR EQUIVALENT
- THIS PART ACCEPTS THE FOLLOWING COMPONENTS OR EQUIVALENT: TERMINAL - 12020633
- (1.8)X(0.1) RAISED DELPHI CORPORATE BRAND TO BE LOCATED ON ANY EXTERIOR SURFACE, PREFERABLY VISIBLE AT FINAL ASSEMBLY. OPTIONAL CONSTRUCTION TO BE "PED" OR NO LOGO.

DWO TYPE PART DRAWING		DISTR CODE D	
VOLUME (OP) 8, 303		UNLESS OTHERWISE SPECIFIED THIS DOCUMENT IS IN ACCORDANCE WITH ASME Y14.5M-1994 AS MODIFIED BY THE DIMENSIONAL DIMENSIONING AND TOLERANCING ADDENDUM-2001. SEPARATE PATTERNING OF FEATURES MAY BE OBTAINED SEPARATELY REGARDLESS OF DATUM REFERENCES.	
ALL DIMENSIONS ARE IN MILLIMETERS			
DIMENSIONAL RANGE (MM)		CHART ET	
FROM	TO	FROM	TO
> 0	> 20	> 70	> 100
> 20	> 30	> 100	> 150
> 30	> 40	> 150	> 200
> 40	> 50	> 200	> 250
> 50	> 60	> 250	> 300
> 60	> 70	> 300	> 400
TOLERANCE UNLESS OTHERWISE SPECIFIED		ANGULAR TOLERANCE ±2°	
±0.15	±0.2	±0.3	±0.4
±0.4	±0.5	±0.6	±0.8
±1	±1.2		

DELPHI
DELPHI PACKARD ELECTRIC SYSTEMS
WARREN, OH

DR	DATE
APVD1 E. SEIDEL	31JUL03
APVD2 E. SEIDEL	31JUL03
APVD3 M. FRANCIS	31JUL03
APVD4	
APVD5	

SUBSTANCES OF CONCERN AND RECYCLED CONTENT PER DELPHI 10949001

MATERIAL: M5330002 PA6T/XT+66 GF15 HS 1M BLK

DRAWING NAME: CONN 2 F M/P 800

DRAWING NUMBER: 15474007

SIZE: A0
SCALE: 2:1
FRAME NO: 1 OF 2
SHEET NO: 1 OF 1
STG: R
REV: N/P
DATE: 04 AC

X-ON Electronics

Largest Supplier of Electrical and Electronic Components

Click to view similar products for [Automotive Connectors](#) category:

Click to view products by [APTIV](#) manufacturer:

Other Similar products are found below :

[003-018-000](#) [60403001](#) [60993906-B](#) [629515004020001](#) [M902-2131](#) [M902-2161](#) [72.330.1035.1](#) [73.353.4028.0](#) [F119300-B](#) [F166900](#)
[F258300-B](#) [F358300-B](#) [F407400](#) [F444110](#) [F487000](#) [F509500B-B](#) [827153-1](#) [8N1515-32-24P](#) [9-1326729-8](#) [925474-1](#) [928905-1](#) [964562-4](#)
[968782-1](#) [GT17SA-8DS-HU](#) [98891-1012](#) [98947-1016](#) [12004475-L](#) [12010290](#) [12010309-B](#) [12015454](#) [12020219-B](#) [12020308](#) [12041318-B](#)
[12052225-L](#) [12052466](#) [12059125](#) [12064869](#) [12004327-B](#) [12010503-B](#) [12015308](#) [12015384](#) [12015909](#) [1-21030-1](#) [12041254](#) [12041318](#)
[12047946-B](#) [12047957](#) [12047957-L](#) [12059473](#) [12066261](#)