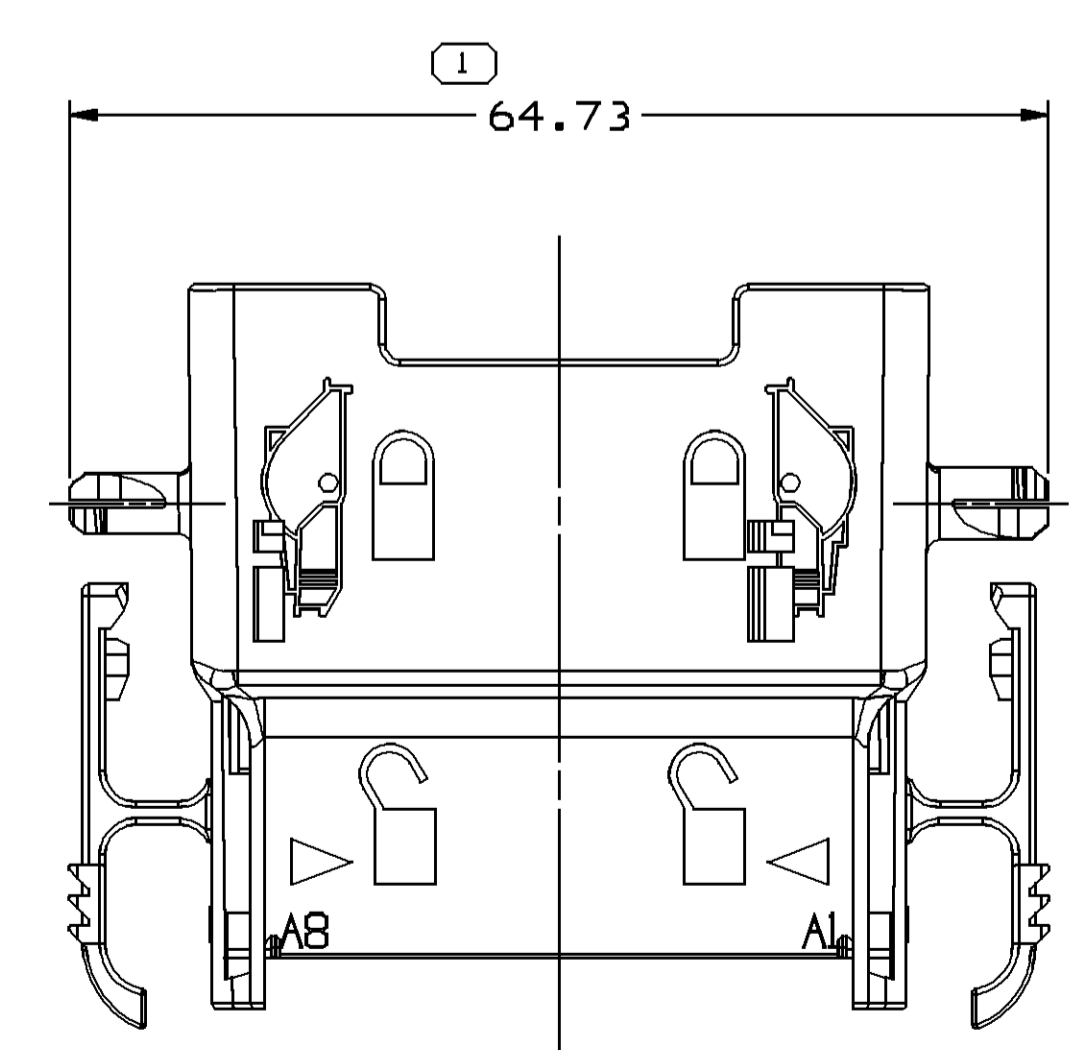
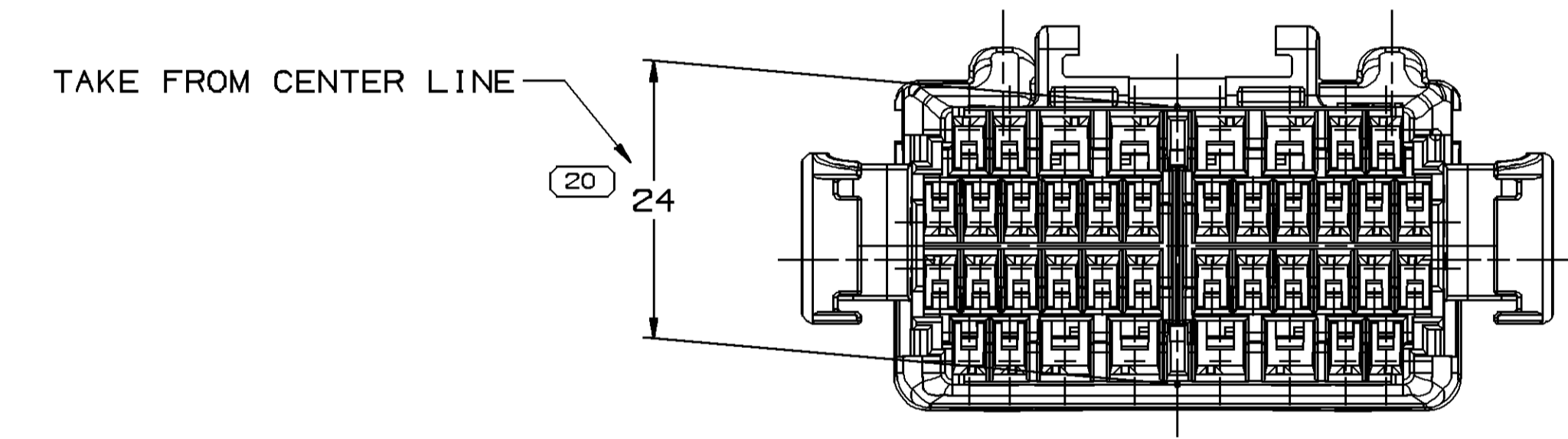
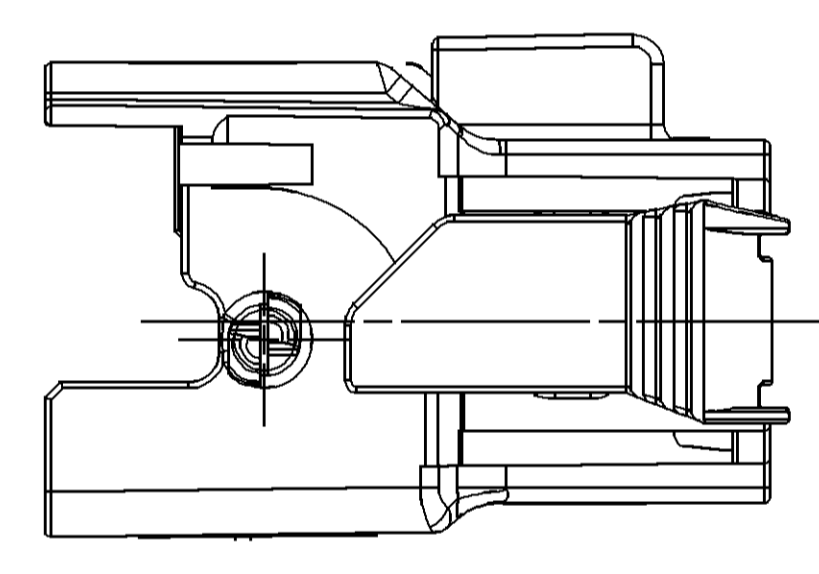
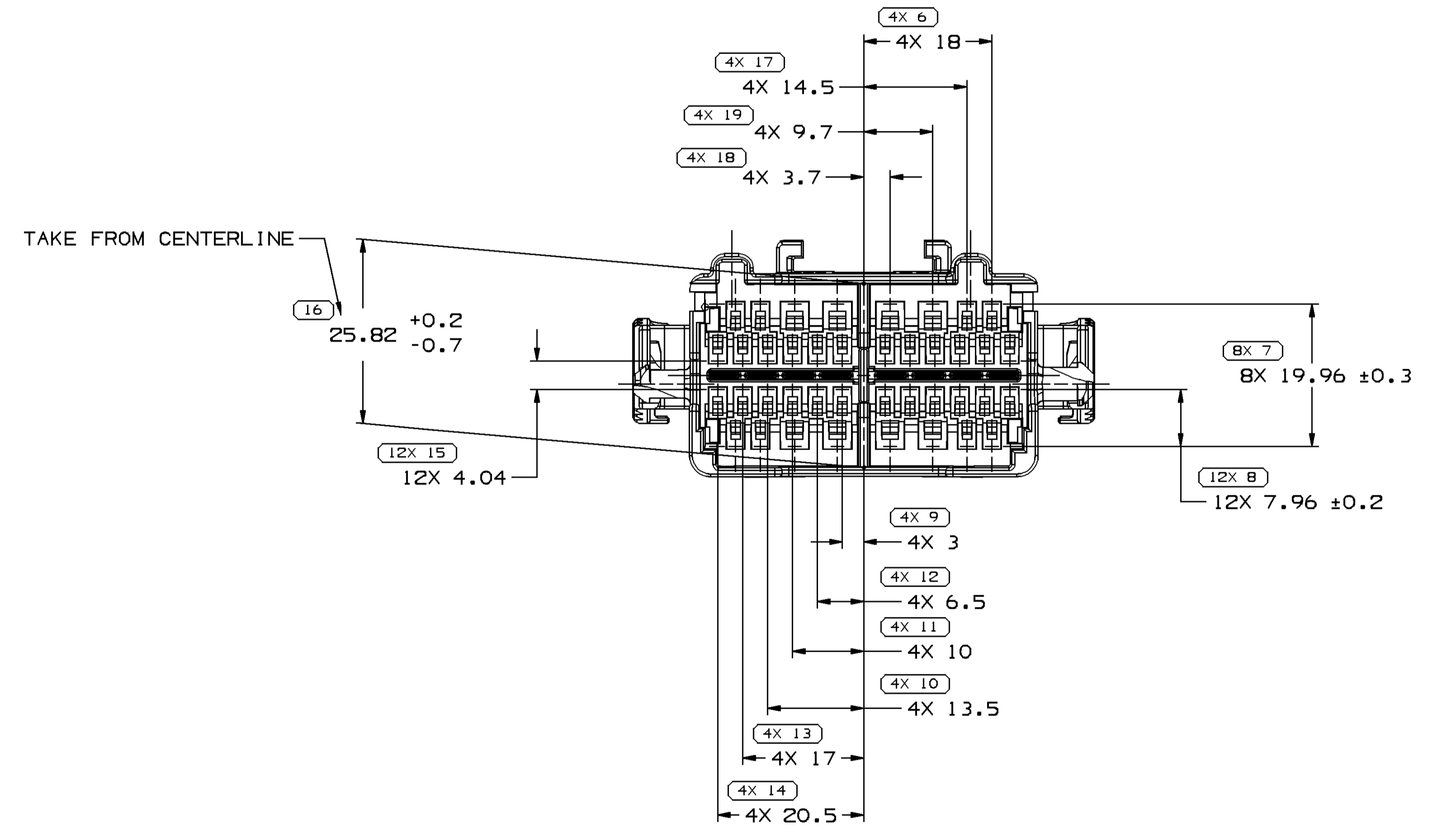
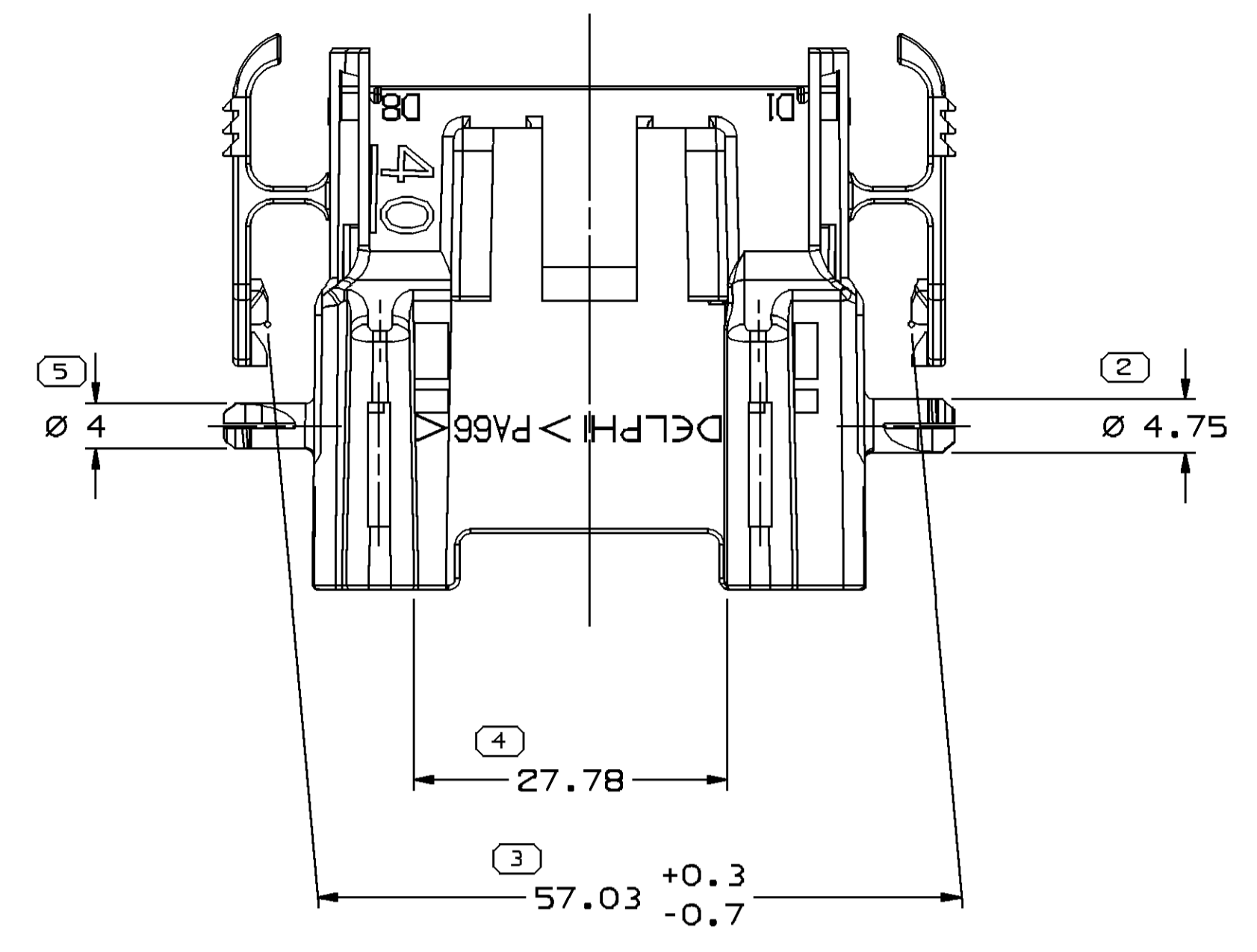


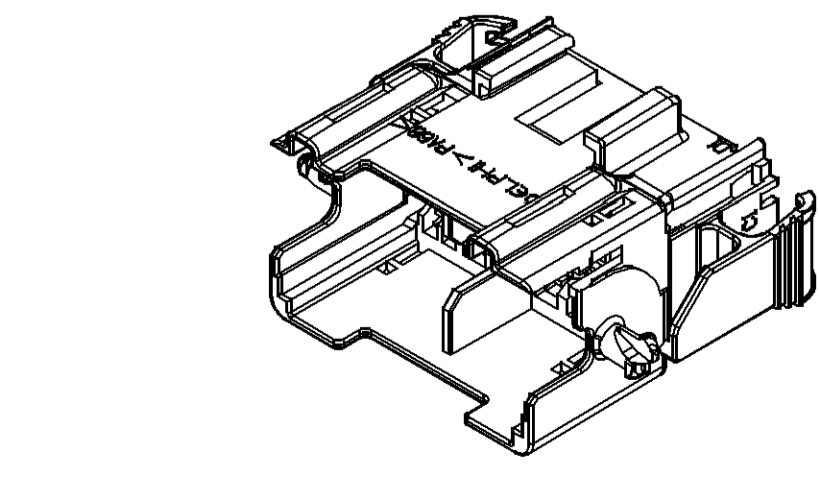
SYMBOL DEFINITION		TOTAL NO OF INSPECTIONS REQUIRED	MISSING SYMBOLS
A DIMENSION WITHOUT AN INSPECTION REPORT SYMBOL () DOES NOT REQUIRE INSPECTION. IT MAY BE CONTROLLED ON THE INDIVIDUAL COMPONENT DRAWING.		79	NO MISSING SYMBOL NUMBER
LAST NO. USED		20	

DWG STATUS				REVISION HISTORY		AUTH	DR	AP/VD	AP/VD
DATE	STG	REV	N/P	CHG	ZONE				
28JUL03	R	01	-	-		RELEASED	243801	JAA	JAA
27AUG03	R	02	-	-		REMOVED RADIUS FROM CLIP SLOT	245155	BRB	BRB
18JUL06	R	02	AA	-		UPDATED PDM ATTRIBUTES	282056	EES	EES
160C06	R	02	AB	-		REVISED GRAPHICS	285096	JEC	JEC



NOTES

- UNLESS OTHERWISE SPECIFIED AND/OR INDICATED: DIMENSIONS ARE TO FACE OF VIEW SHOWN AND AUTOMATICALLY ROUNDED BY COMPUTER FOR INSPECTION (SEE MATH MODEL FOR PRECISE DIMENSIONS). FOR ALL OTHER DIMENSIONS NOT SHOWN BUT REQUIRED FOR TOOL BUILD, SEE MATH MODEL FOR PRECISE TOOL PATH DATA.
- MATERIAL RECYCLING CODE >PA66< PER SAE J1344. (2.3)X(0.1) RAISED CHARACTERS AS SHOWN TO BE LOCATED ON ANY EXTERIOR SURFACE. OPTIONAL CONSTRUCTION TO BE NO MATERIAL RECYCLING CODE.
- MATING COMPONENTS OR EQUIVALENT: CONNECTOR 15448130
- THIS PART ACCEPTS THE FOLLOWING COMPONENTS OR EQUIVALENT: CAVITIES A1,A2,A7,AB,B1,B2,B3,B4,B5,B6,B7,B8,B9, B10,B11,B12,C1,C2,C3,C4,C5,C6,C7,C8,C9,C10,C11,C12, D1,D2,D7 & D8 TO ACCEPT 15304701 TERMINAL OR EQUIVALENT. MAX INSULATION CRIMP MUST BE LESS THAN 3.15 HIGH AND 2.8 WIDE. CAVITIES A3,A4,A5,A6,D3,D4,D5 & D6 TO ACCEPT 15304722 TERMINAL OR EQUIVALENT. MAX INSULATION CRIMP MUST BE LESS THAN 3.65 HIGH AND 4.2 WIDE. SECONDARY TERMINAL LOCK 15304841 (TPA) SHOULD BE USED WITH WIRE GAUGE >12 SECONDARY TERMINAL LOCK 15359121 (TPA) SHOULD BE USED WITH WIRE GAUGE <=12 LEVER 15336387
- (2.3)X(0.1) RAISED DELPHI CORPORATE BRAND TO BE LOCATED ON ANY EXTERIOR SURFACE, PREFERABLY VISIBLE AT FINAL ASSEMBLY. OPTIONAL CONSTRUCTION TO BE "PED" OR NO LOGO.
- CONNECTOR HAS ABILITY TO PRE-STAGE MALE BLADE STABILIZER 15401768
- TO BE USED WITH APPROPRIATE DELPHI PACKARD ELECTRIC SYSTEMS DESIGNED HOLDERS.
- TO BE PROCESSED USING DELPHI PACKARD ELECTRIC SYSTEMS BEST PRACTICE METHOD OR CUSTOMER ASSEMBLY INSTRUCTION.



PART DRAWING																																	
STYLE																																	
VOLUME 10/1	DISTR CODE																																
18.135	D																																
UNLESS OTHERWISE SPECIFIED THIS DOCUMENT IS IN ACCORDANCE WITH ASME Y14.5M-1994 AS MODIFIED BY THE IN SUPPLY DRAWING AND TOLERANCE ADMINISTRATION. SEPARATE MATTERS OF FEATURES MAY BE OMBD SEPARATELY REGRABER OF DATUM REFERENCES.																																	
ALL DIMENSIONS ARE IN MILLIMETERS																																	
REFERENCE																																	
THIRD ANGLE PROJECTION																																	
DO NOT SCALE																																	
USE MATH DATA																																	
<table border="1"> <thead> <tr> <th>DIMENSIONAL RANGE (MM)</th> <th>TOLERANCE</th> </tr> </thead> <tbody> <tr> <td>FROM > 0</td> <td>> 30</td> </tr> <tr> <td>TO > 20</td> <td>> 70</td> </tr> <tr> <td>> 70</td> <td>> 100</td> </tr> <tr> <td>> 100</td> <td>> 150</td> </tr> <tr> <td>> 150</td> <td>> 200</td> </tr> <tr> <td>> 200</td> <td>> 250</td> </tr> <tr> <td>> 250</td> <td>> 300</td> </tr> <tr> <td>> 300</td> <td>> 400</td> </tr> <tr> <td colspan="2">TOLERANCE UNLESS OTHERWISE SPECIFIED</td> </tr> <tr> <td>±0.15</td> <td>±0.2</td> </tr> <tr> <td>±0.3</td> <td>±0.4</td> </tr> <tr> <td>±0.5</td> <td>±0.6</td> </tr> <tr> <td>±0.6</td> <td>±0.8</td> </tr> <tr> <td>±1</td> <td>±1.2</td> </tr> <tr> <td colspan="2">ANGULAR TOLERANCE 30'</td> </tr> </tbody> </table>		DIMENSIONAL RANGE (MM)	TOLERANCE	FROM > 0	> 30	TO > 20	> 70	> 70	> 100	> 100	> 150	> 150	> 200	> 200	> 250	> 250	> 300	> 300	> 400	TOLERANCE UNLESS OTHERWISE SPECIFIED		±0.15	±0.2	±0.3	±0.4	±0.5	±0.6	±0.6	±0.8	±1	±1.2	ANGULAR TOLERANCE 30'	
DIMENSIONAL RANGE (MM)	TOLERANCE																																
FROM > 0	> 30																																
TO > 20	> 70																																
> 70	> 100																																
> 100	> 150																																
> 150	> 200																																
> 200	> 250																																
> 250	> 300																																
> 300	> 400																																
TOLERANCE UNLESS OTHERWISE SPECIFIED																																	
±0.15	±0.2																																
±0.3	±0.4																																
±0.5	±0.6																																
±0.6	±0.8																																
±1	±1.2																																
ANGULAR TOLERANCE 30'																																	

DELPHI
DELPHI PACKARD ELECTRIC SYSTEMS
WARREN, OH

DR	DATE
APV01 J.S. ALVARADO	28JUL03
APV02 J.S. ALVARADO	28JUL03
APV03 MATTHEW L. PENN	01AUG03
APV04	
APV05	

SUBSTANCES OF CONCERN AND RECYCLED CONTENT PER DELPHI 10947001

WATERLIL W3592012 PA66 HS 1M GRA LT

DRAWING NAME
CONN 40 M GT 150 280

DRAWING NUMBER
15475870

SIZE	SCALE	FRAME NO	SHEET NO	STG	REV	N/P
A0	2:1	1	1	1	1	R 02 AB

X-ON Electronics

Largest Supplier of Electrical and Electronic Components

Click to view similar products for [Automotive Connectors](#) category:

Click to view products by [APTIV](#) manufacturer:

Other Similar products are found below :

[003-018-000](#) [60403001](#) [60993906-B](#) [629515004020001](#) [M902-2131](#) [M902-2161](#) [72.330.1035.1](#) [73.353.4028.0](#) [F119300-B](#) [F166900](#)
[F258300-B](#) [F358300-B](#) [F407400](#) [F444110](#) [F487000](#) [F509500B-B](#) [827153-1](#) [8N1515-32-24P](#) [9-1326729-8](#) [925474-1](#) [928905-1](#) [964562-4](#)
[968782-1](#) [GT17SA-8DS-HU](#) [98891-1012](#) [98947-1016](#) [12004475-L](#) [12010290](#) [12010309-B](#) [12015454](#) [12020219-B](#) [12020308](#) [12041318-B](#)
[12052225-L](#) [12052466](#) [12059125](#) [12064869](#) [12004327-B](#) [12010503-B](#) [12015308](#) [12015384](#) [12015909](#) [1-21030-1](#) [12041254](#) [12041318](#)
[12047946-B](#) [12047957](#) [12047957-L](#) [12059473](#) [12066261](#)