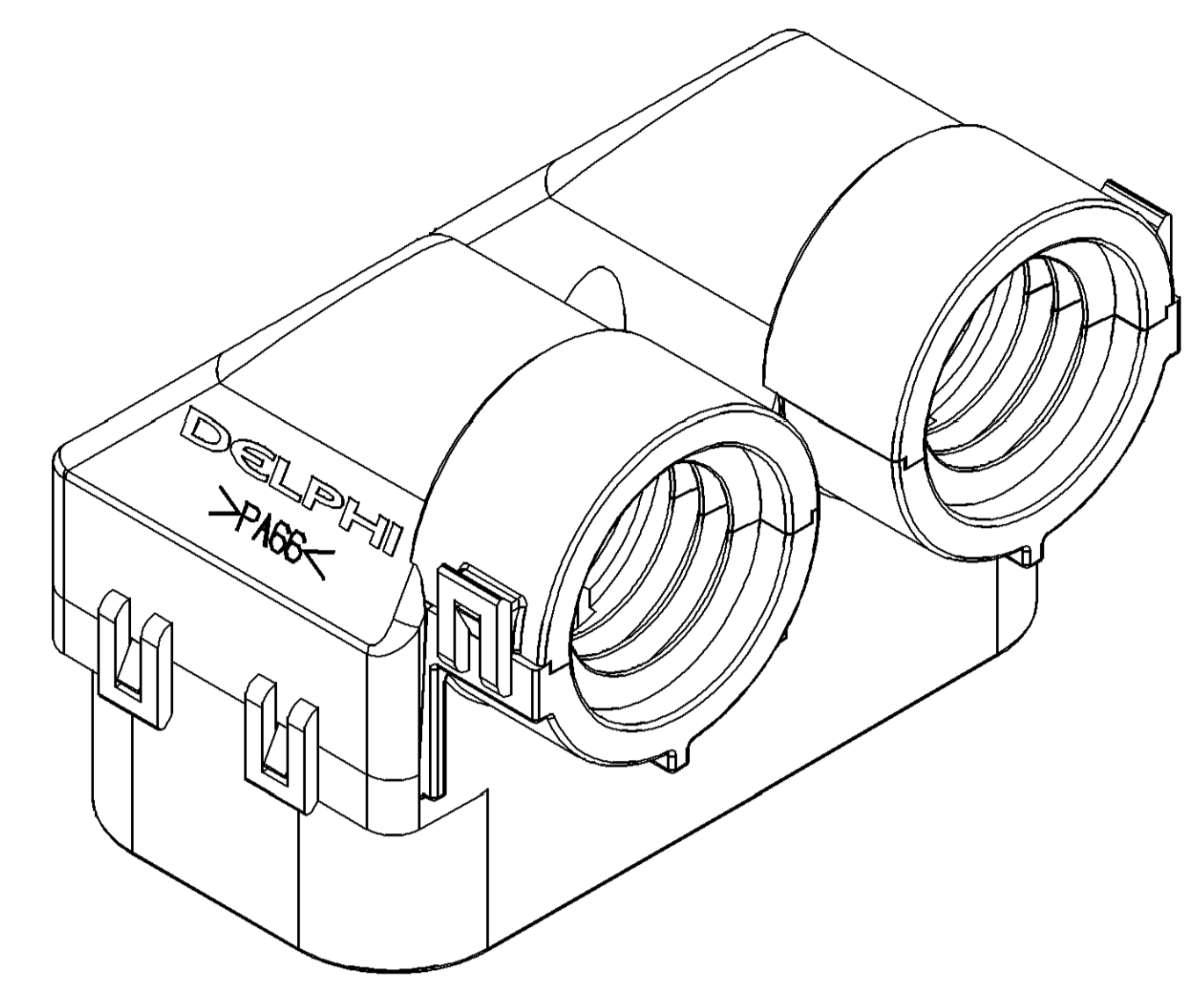
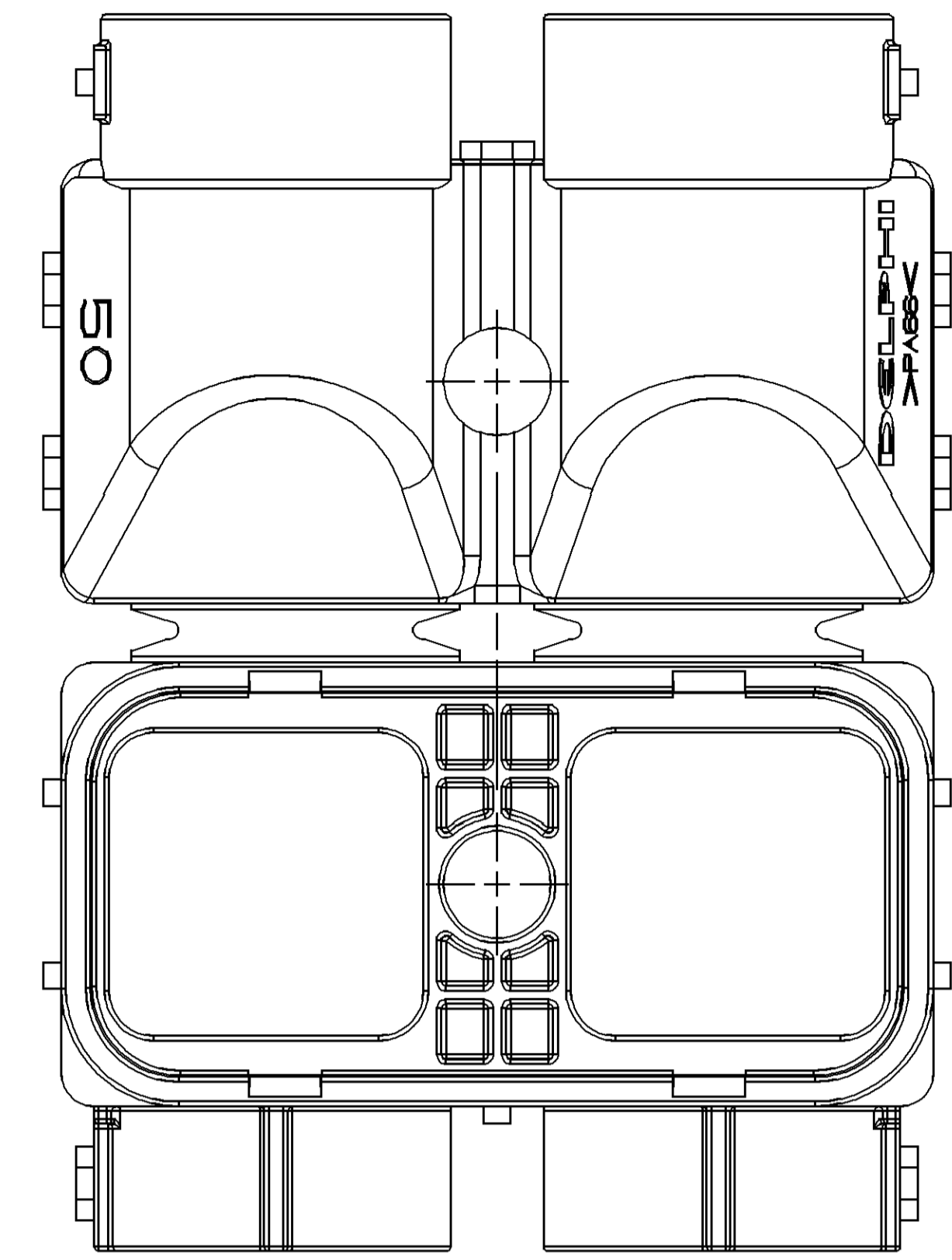
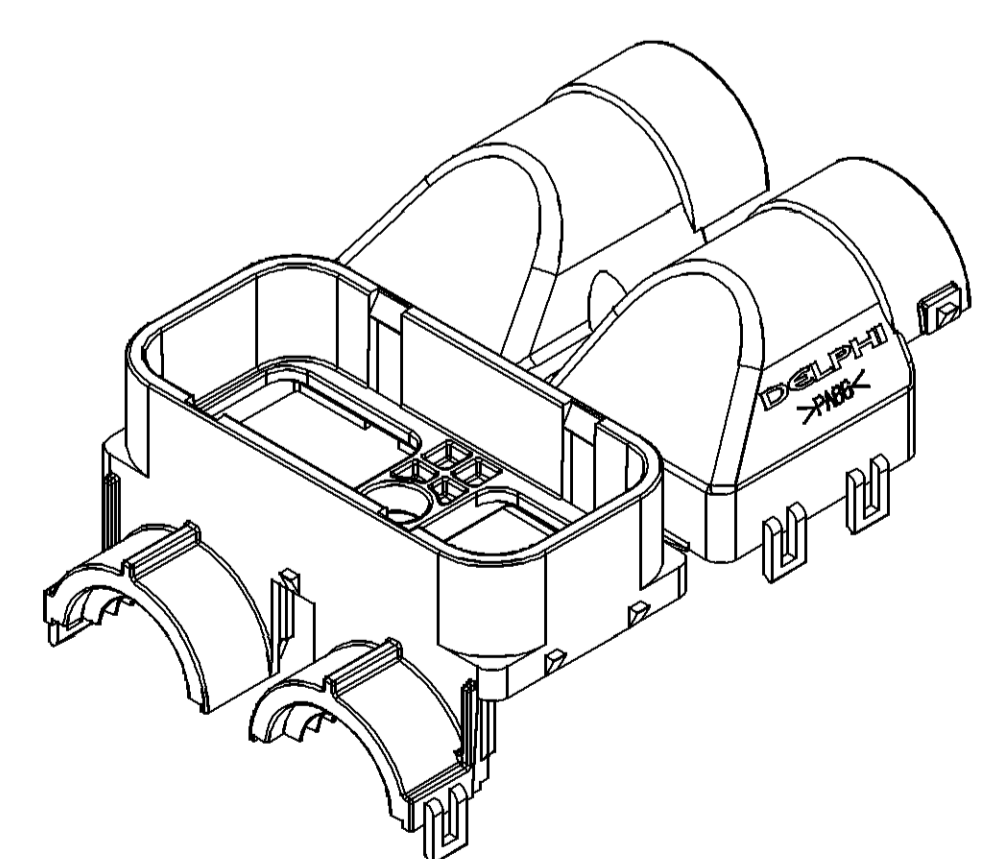
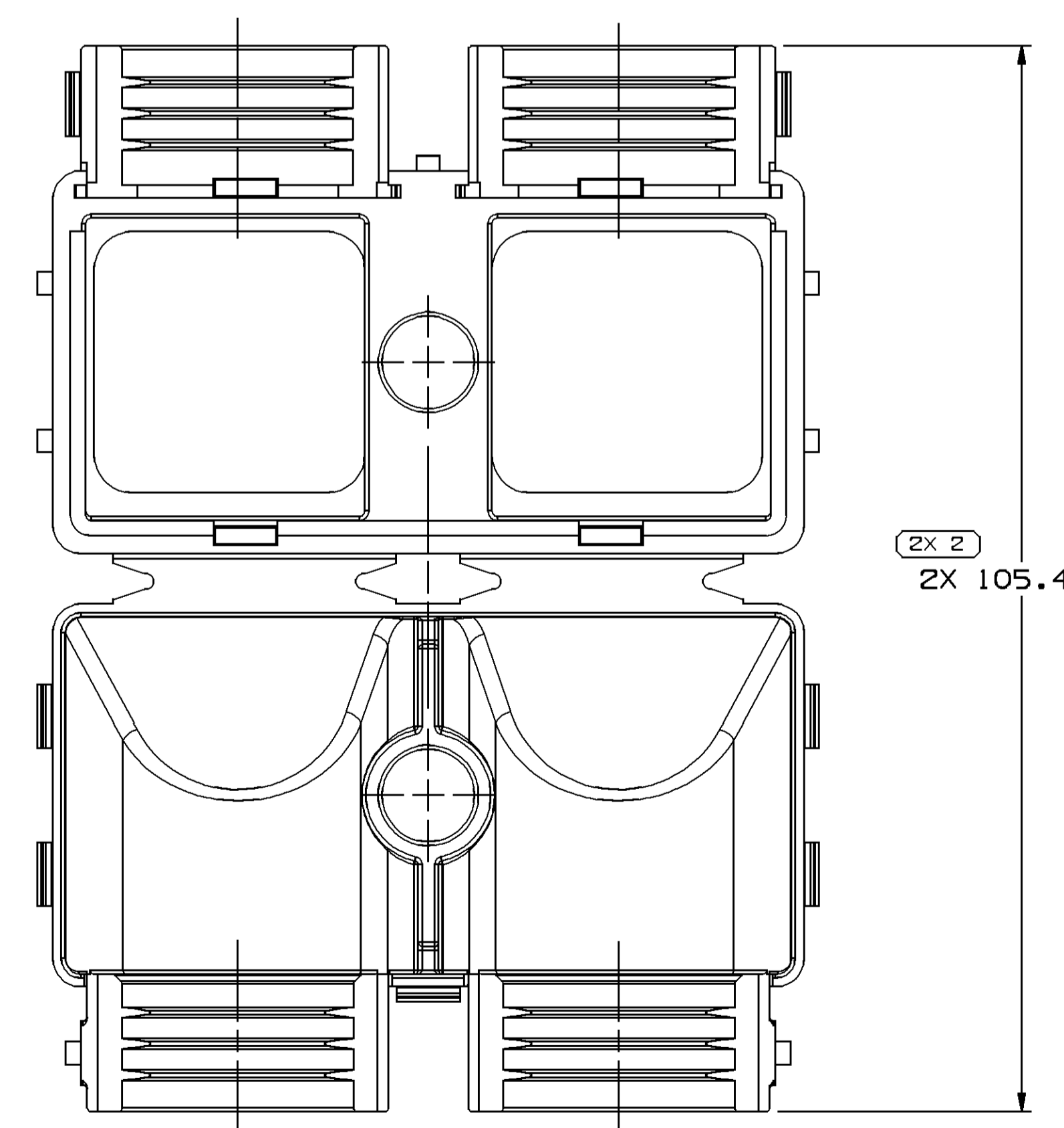
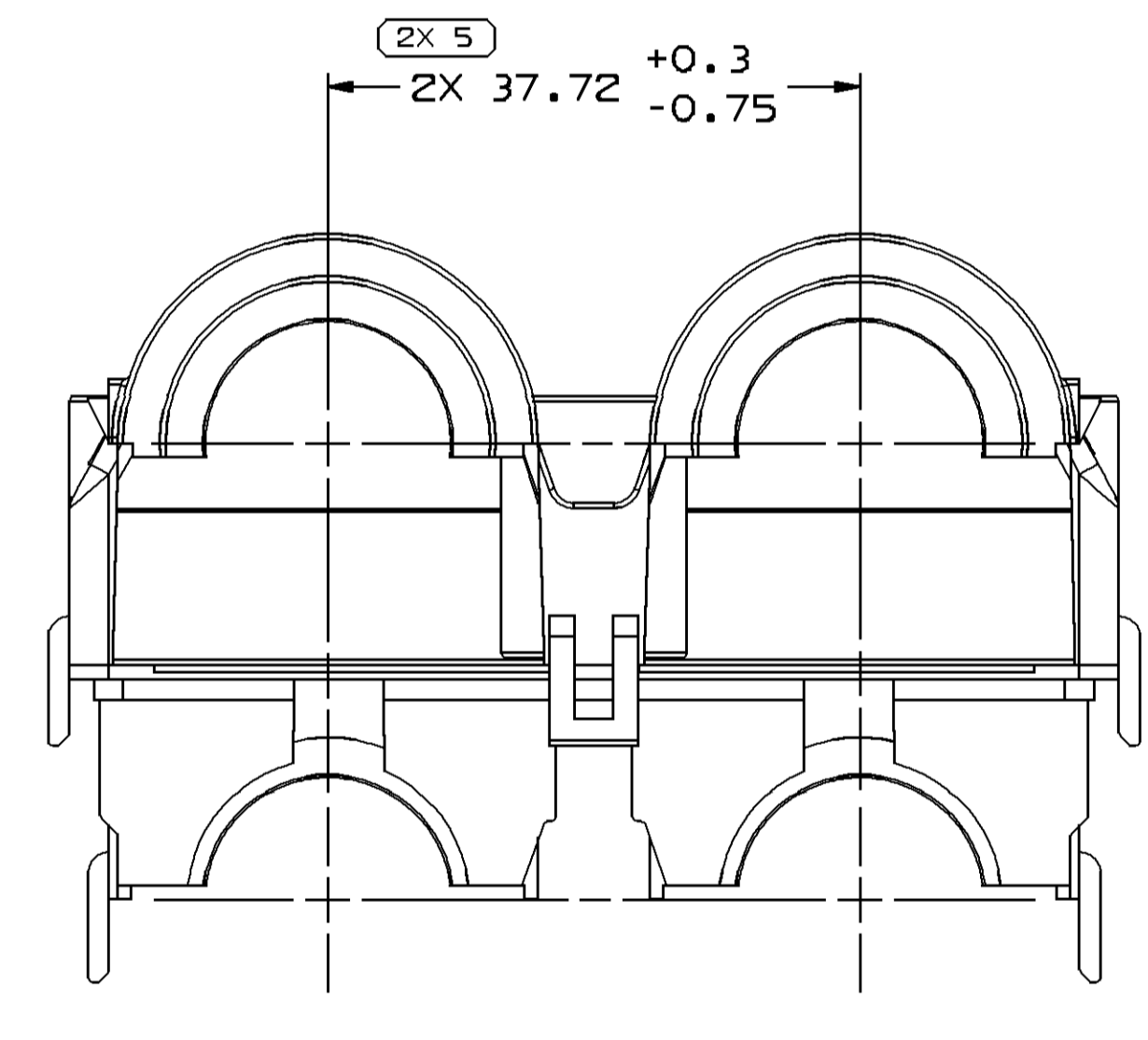
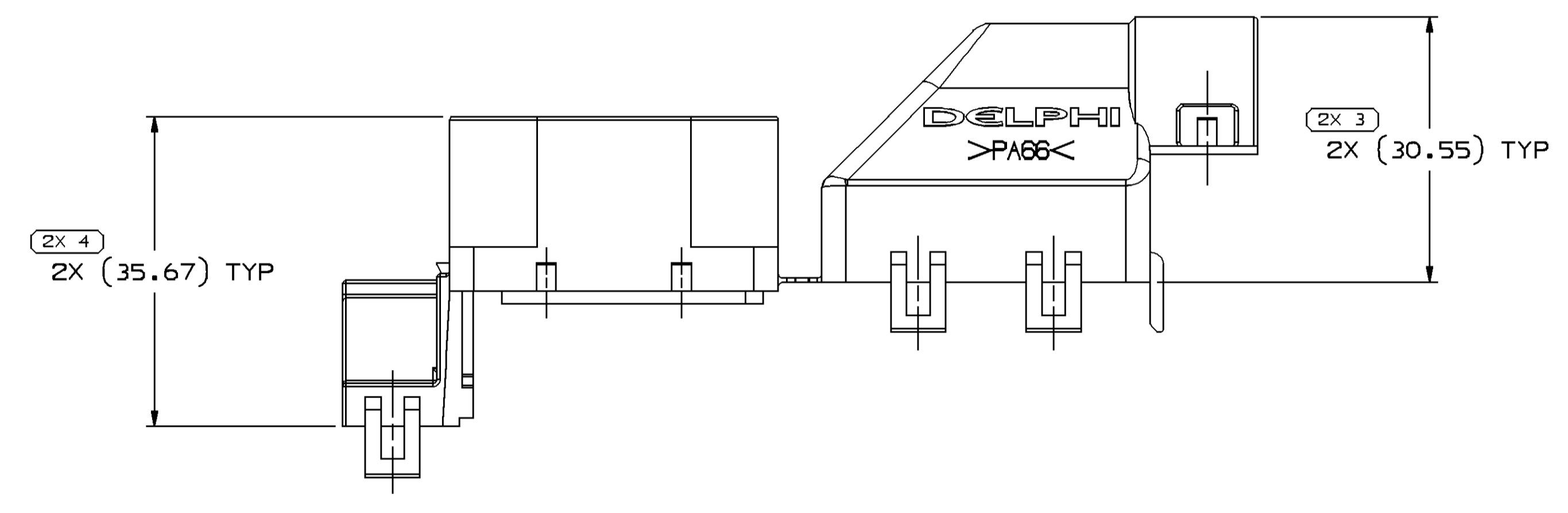
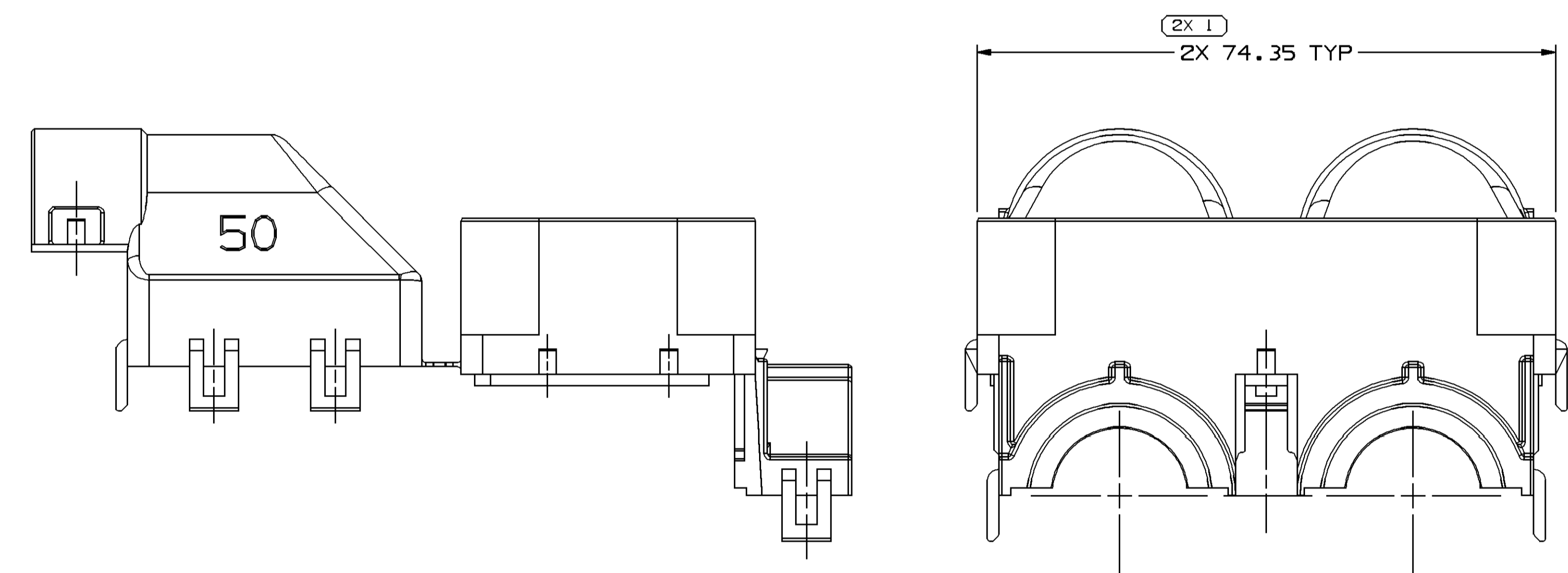


SYMBOL DEFINITION		TOTAL NO OF INSPECTIONS REQUIRED	MISSING SYMBOLS
A DIMENSION WITHOUT AN INSPECTION REPORT SYMBOL DOES NOT REQUIRE INSPECTION. IT MAY BE CONTROLLED ON THE INDIVIDUAL COMPONENT DRAWING.		10	NO MISSING SYMBOL NUMBER
	LAST NO. USED	5	

DWS STATUS				REVISION HISTORY		AUTH	DR	AP/VD
DATE	STG	REV	N/P	CHG	ZONE			
07SE04	R	01	-	-		WAS PE123262 AND RELEASED	258635	MAC
18JA05	R	02	-	-		REVISED GRAPHICS	263364	RTV
14FE05	R	03	-	-		DIM 2X 37.72 +0.3/-0.75 WAS 2X 37.72	264410	ECB
25FE05	R	04	-	-		REVISED WINDOWS GEOMETRY (2 PLC'S)	265216	AMG
06FE07	R	04	AA	-		ADDED MATING COMPONENT NOTE 4	400406	MM



VIEW ISO
CLOSED COVER



- NOTES
- UNLESS OTHERWISE SPECIFIED AND/OR INDICATED:
DIMENSIONS ARE TO FACE OF VIEW SHOWN AND AUTOMATICALLY ROUNDED BY COMPUTER FOR INSPECTION (SEE MATH MODEL FOR PRECISE DIMENSIONS). FOR ALL OTHER DIMENSIONS NOT SHOWN BUT REQUIRED FOR TOOL BUILD, SEE MATH MODEL FOR PRECISE TOOL PATH DATA.
 - MATERIAL RECYCLING CODE PER ISO 11469, (2,3) X (0,1) CHARACTERS AS SHOWN TO BE LOCATED ON ANY EXTERIOR SURFACE.
 - (2,3) X (0,1) RAISED DELPHI CORPORATE BRAND TO BE LOCATED ON ANY EXTERIOR SURFACE, PREFERABLY VISIBLE AT FINAL ASSEMBLY. OPTIONAL CONSTRUCTION TO BE "PED" OR NO LOGO.
 - REFERENCE MATING COMPONENTS OR EQUIVALENT:
CONNECTOR - SEE DRAWING 15475161
CONDUIT - SIZE 16 (2 PLCS)

DWS TYPE		PART DRAWING																															
STYLE	DISTR CODE	D																															
VOLUME 10/1	31.676																																
UNLESS OTHERWISE SPECIFIED																																	
THIS DOCUMENT IS IN ACCORDANCE WITH ASME Y14.5M-1994 AS AMENDED BY THE IN-SITUATION DIMENSIONING AND TOLERANCE ADDENDUM-2001. SEPARATE WRITINGS OF FEATURES MAY BE BASED SEPARATELY PER HOLDERS OF DWTM REFERENCES.																																	
ALL DIMENSIONS ARE IN MILLIMETERS																																	
REFERENCE																																	
THIRD ANGLE PROJECTION																																	
DO NOT SCALE																																	
USE MATH DATA																																	
<table border="1"> <thead> <tr> <th>DIMENSIONAL RANGE (MM)</th> <th>CHART ET</th> </tr> </thead> <tbody> <tr> <td>FROM > 0</td> <td>> 30</td> </tr> <tr> <td>TO 20</td> <td>30</td> </tr> <tr> <td>70</td> <td>100</td> </tr> <tr> <td>100</td> <td>150</td> </tr> <tr> <td>150</td> <td>200</td> </tr> <tr> <td>200</td> <td>250</td> </tr> <tr> <td>250</td> <td>300</td> </tr> <tr> <td>300</td> <td>400</td> </tr> <tr> <td colspan="2">TOLERANCE UNLESS OTHERWISE SPECIFIED</td> </tr> <tr> <td>±0.15</td> <td>±0.2</td> </tr> <tr> <td>±0.3</td> <td>±0.4</td> </tr> <tr> <td>±0.5</td> <td>±0.6</td> </tr> <tr> <td>±1</td> <td>±1.2</td> </tr> <tr> <td colspan="2">ANGULAR TOLERANCE 2°</td> </tr> </tbody> </table>				DIMENSIONAL RANGE (MM)	CHART ET	FROM > 0	> 30	TO 20	30	70	100	100	150	150	200	200	250	250	300	300	400	TOLERANCE UNLESS OTHERWISE SPECIFIED		±0.15	±0.2	±0.3	±0.4	±0.5	±0.6	±1	±1.2	ANGULAR TOLERANCE 2°	
DIMENSIONAL RANGE (MM)	CHART ET																																
FROM > 0	> 30																																
TO 20	30																																
70	100																																
100	150																																
150	200																																
200	250																																
250	300																																
300	400																																
TOLERANCE UNLESS OTHERWISE SPECIFIED																																	
±0.15	±0.2																																
±0.3	±0.4																																
±0.5	±0.6																																
±1	±1.2																																
ANGULAR TOLERANCE 2°																																	

DELPHI	
DELPHI PACKARD ELECTRICAL/ELECTRONIC ARCHITECTURE	
WYREN, OH	
DR	DATE
APV01 M. CHRESTAY	07SE04
APV02 M. CHRESTAY	07SE04
APV03 JIM CYKON	09SE04
APV04	
SUBSTANCES OF CONCERN AND RECYCLED CONTENT PER DELPHI 10949001	
MATERIAL M3592001 PA66 HS 1M BLK	
DRAWING NAME	
COV WIRE DRESS BLK	
DRAWING NUMBER	
15475968	
SIZE AD	SCALE
1	2:1
FRAME NO	SHEET NO
1	1 OF 1
STG	REV
1	04
AA	AA

X-ON Electronics

Largest Supplier of Electrical and Electronic Components

Click to view similar products for [Automotive Connectors](#) category:

Click to view products by [APTIV](#) manufacturer:

Other Similar products are found below :

[003-018-000](#) [60403001](#) [60993906-B](#) [M902-2131](#) [M902-2161](#) [72.330.1035.1](#) [73.353.4028.0](#) [F119300-B](#) [F166900](#) [F258300-B](#) [F358300-B](#)
[F407400](#) [F444110](#) [F487000](#) [F509500B-B](#) [827153-1](#) [8N1515-32-24P](#) [9-1326729-8](#) [925474-1](#) [928905-1](#) [964562-4](#) [968782-1](#) [GT17SA-8DS-](#)
[HU](#) [98891-1012](#) [98947-1016](#) [12004475-L](#) [12010290](#) [12010309-B](#) [12015454](#) [12020219-B](#) [12020308](#) [12041318-B](#) [12052225-L](#) [12052466](#)
[12059125](#) [12064869](#) [12004327-B](#) [12010503-B](#) [12015308](#) [12015384](#) [12015909](#) [1-21030-1](#) [12041254](#) [12041318](#) [12047946-B](#) [12047957](#)
[12047957-L](#) [12059473](#) [12066261](#) [12110546](#)