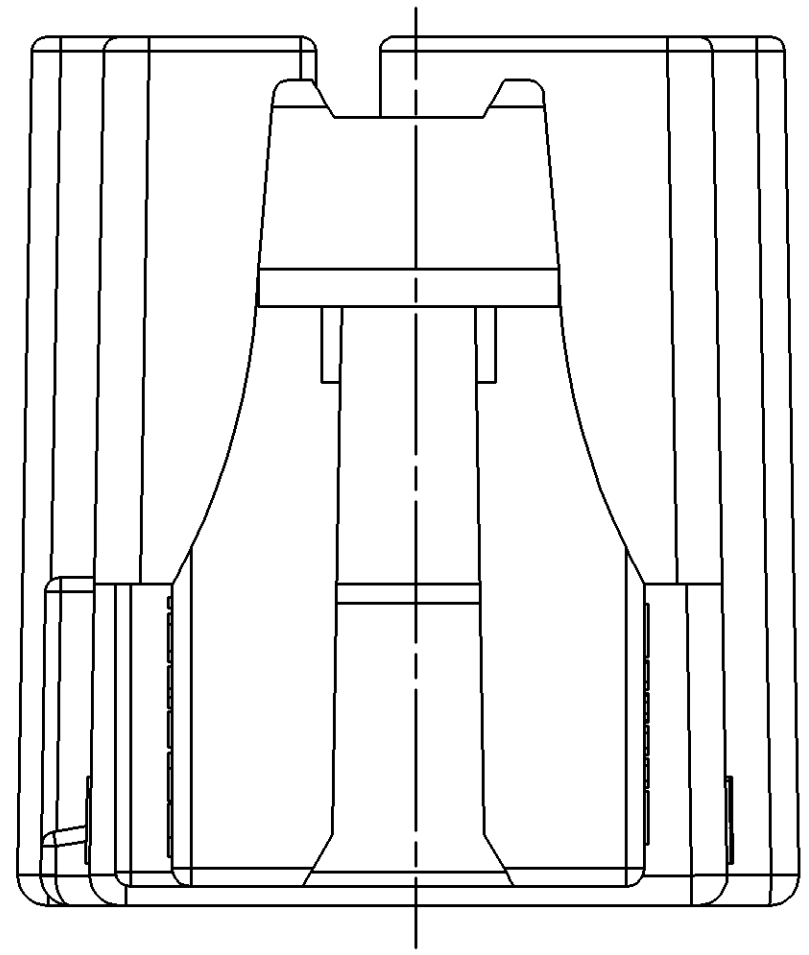
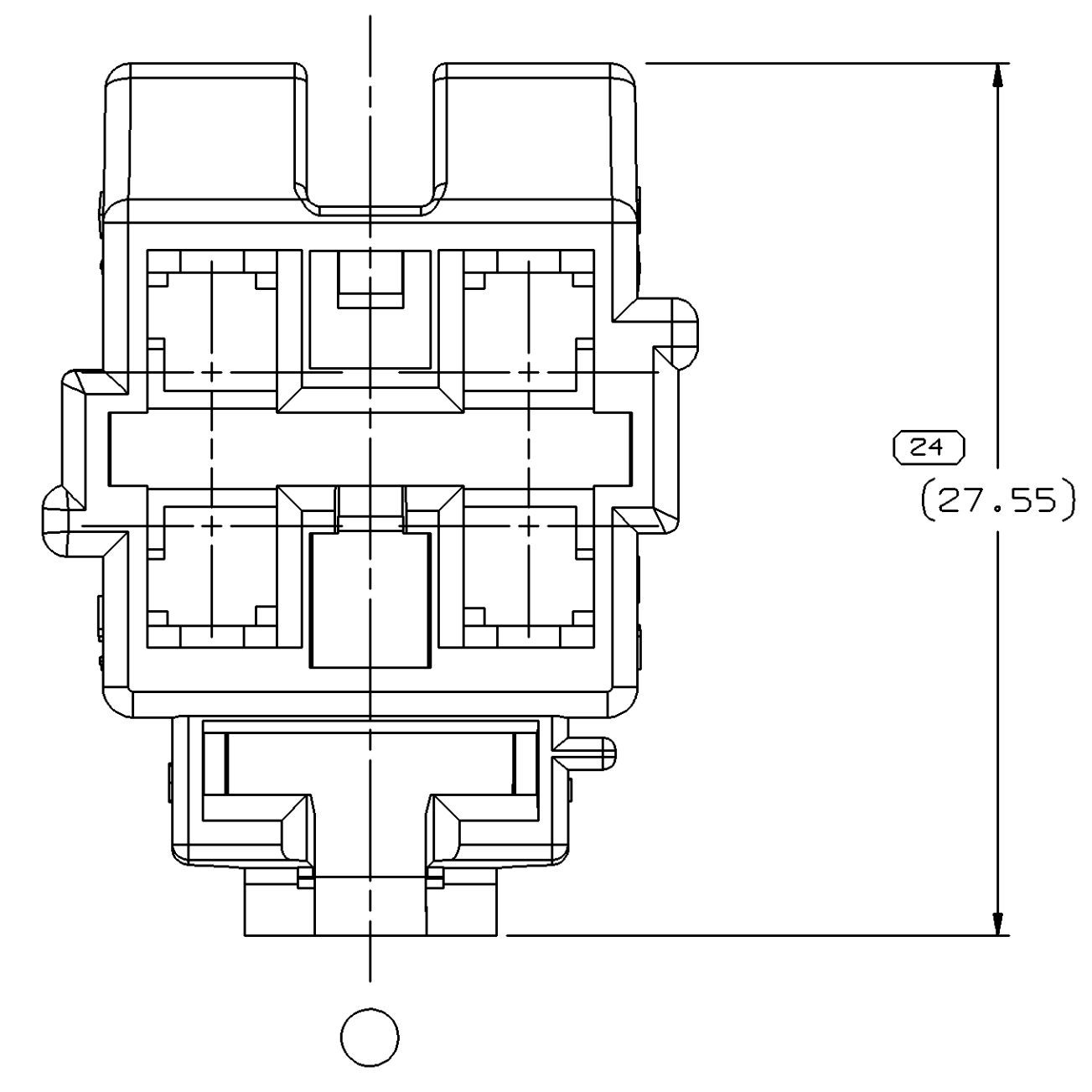
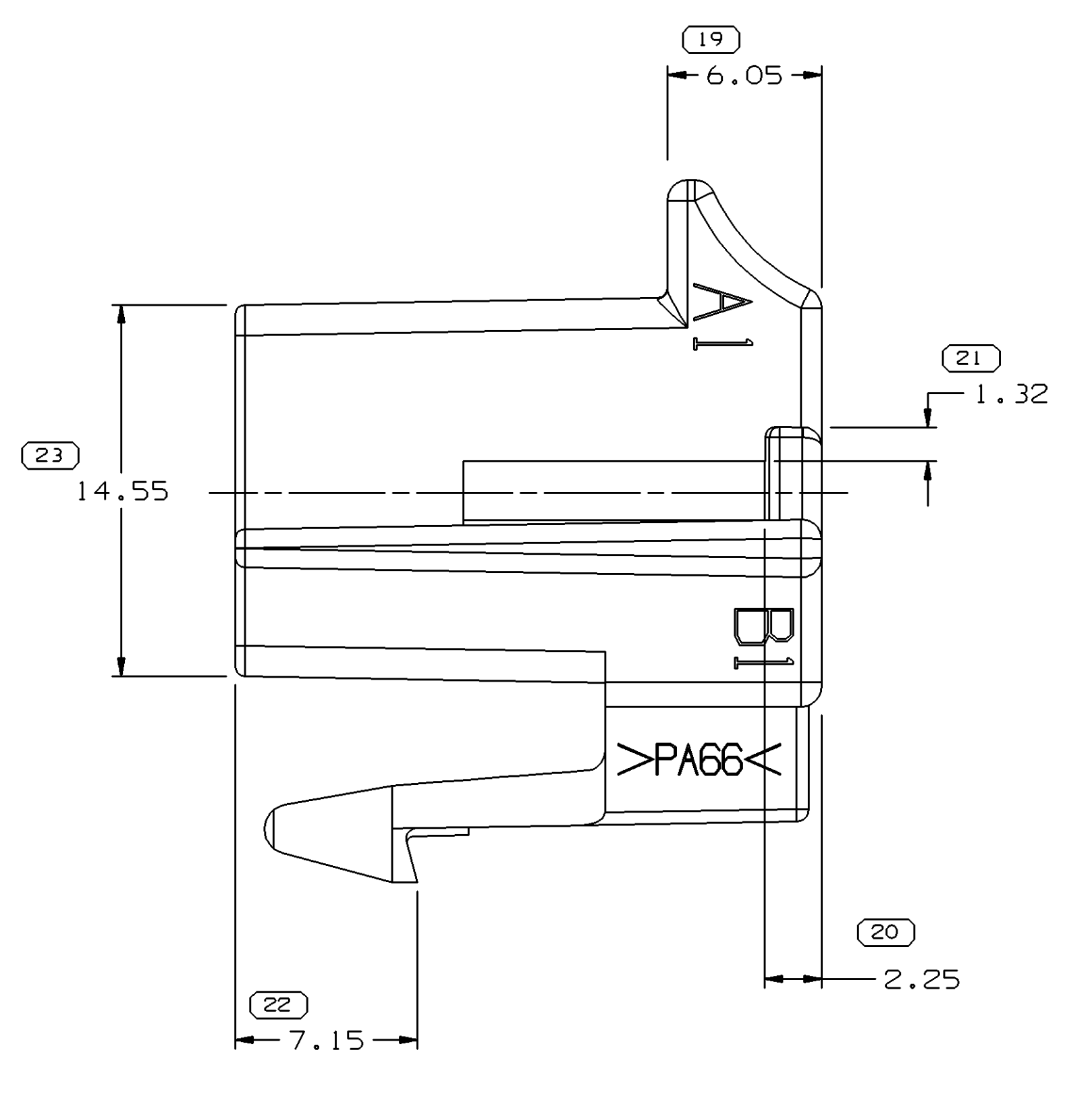
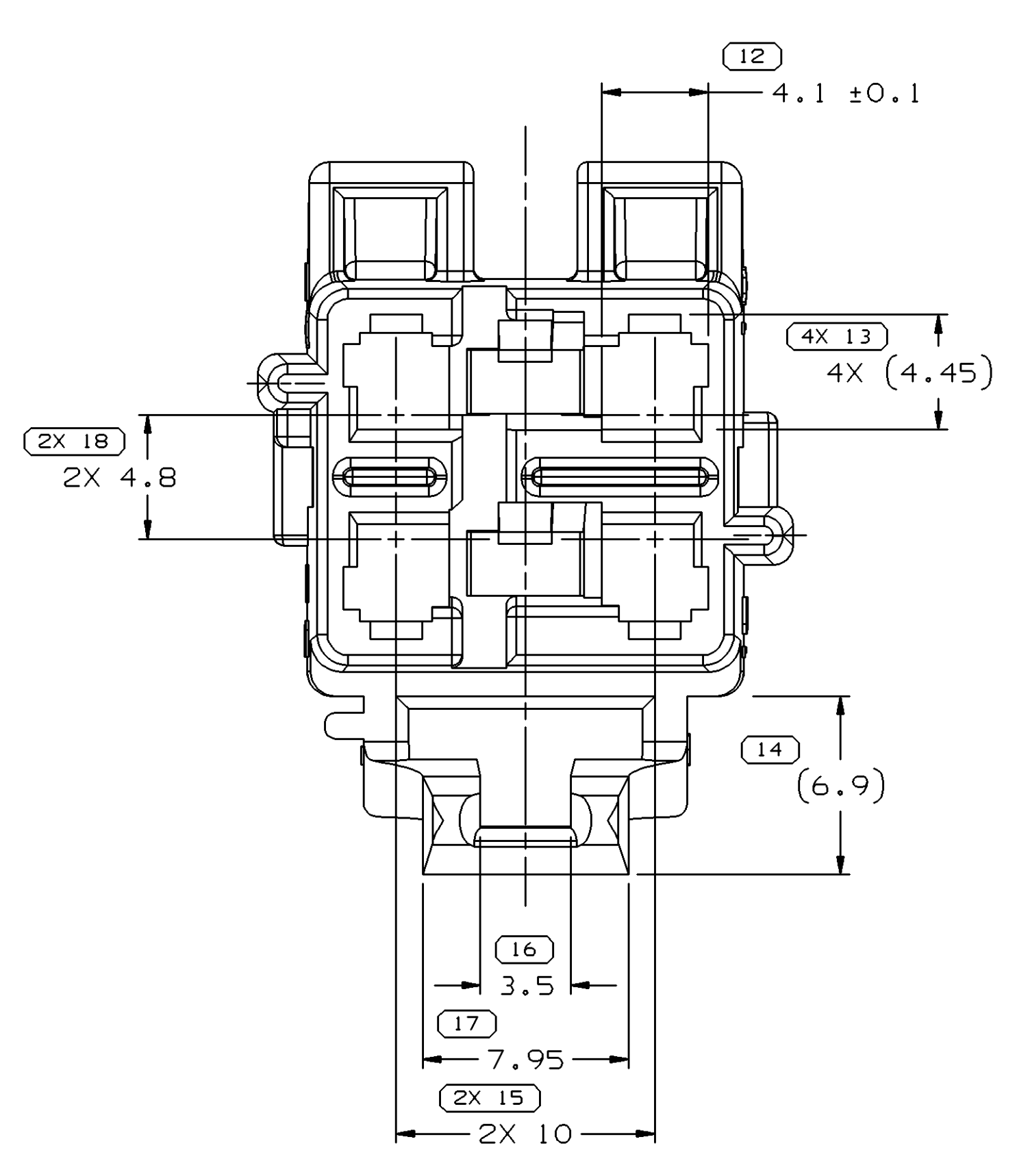
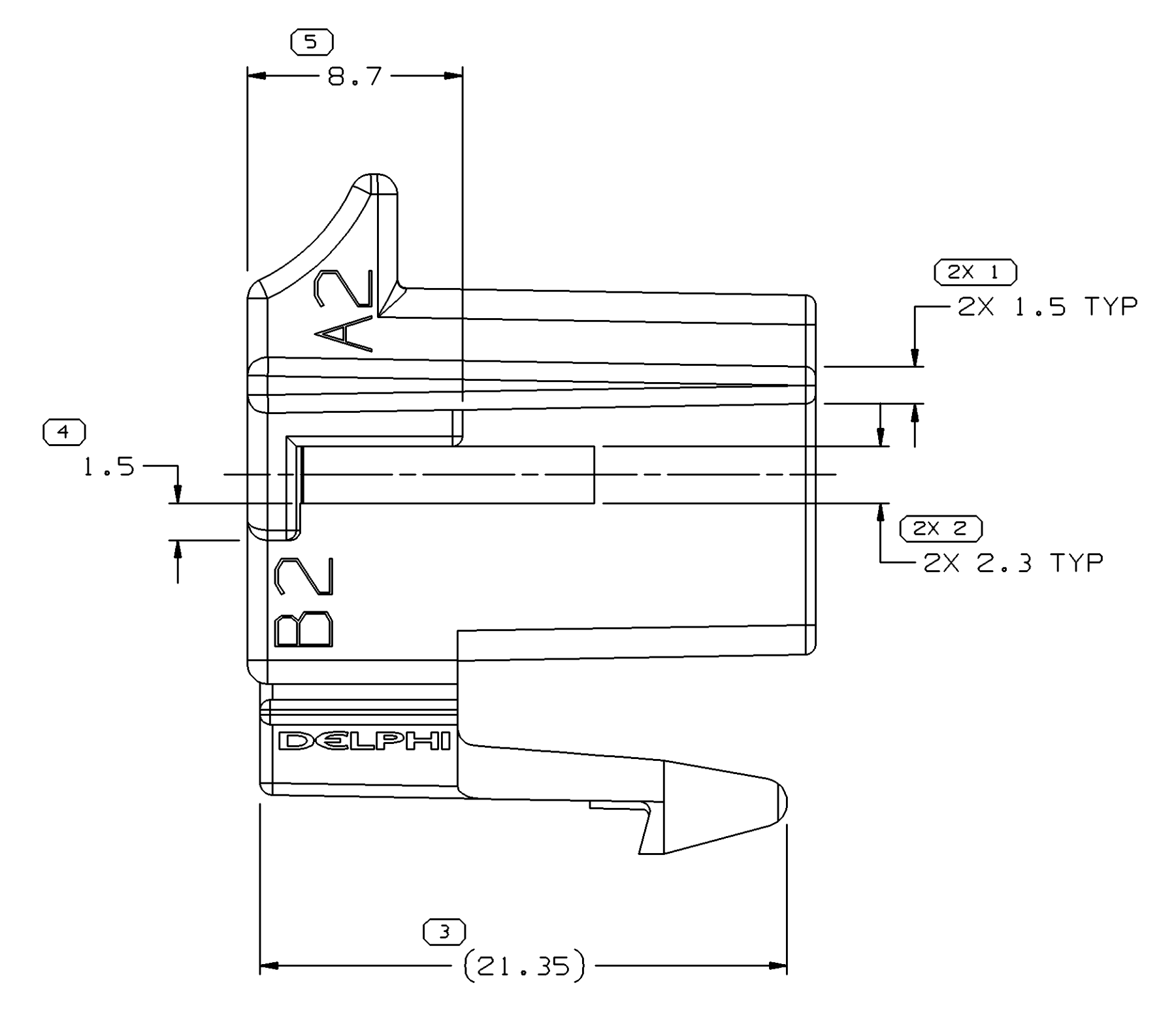
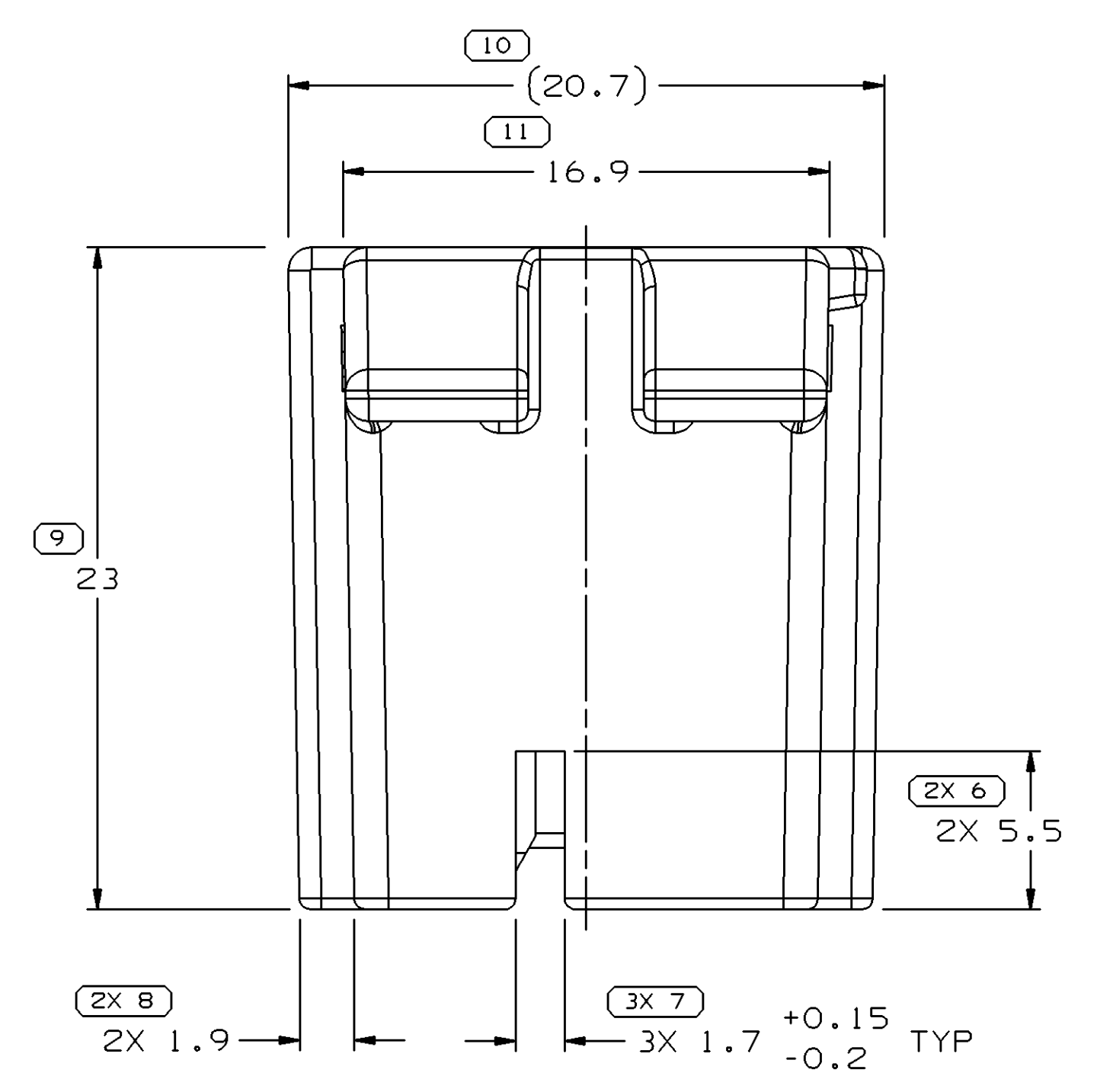
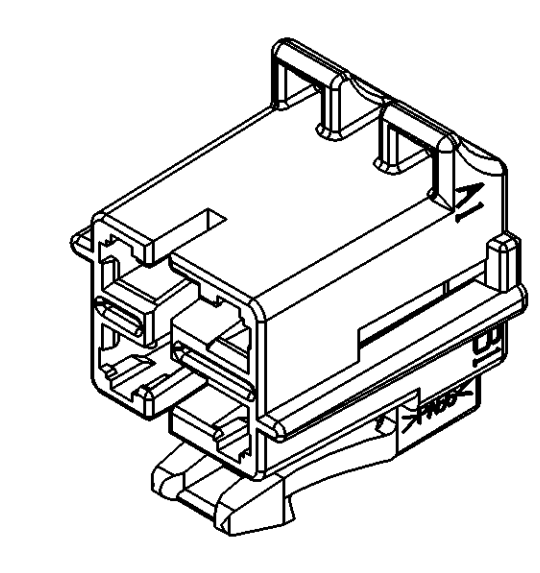


SYMBOL DEFINITION		MISSING SYMBOLS	
A DIMENSION WITHOUT AN INSPECTION REPORT SYMBOL DOES NOT REQUIRE INSPECTION. IT MAY BE CONTROLLED ON THE INDIVIDUAL COMPONENT DRAWING.	TOTAL NO OF INSPECTIONS REQUIRED	35	NO MISSING SYMBOL NUMBER
	LAST NO. USED	24	

DWS STATUS					REVISION HISTORY			AUTH	DR	APVD	APVD
DATE	STG	REV	N/P	CHG	ZONE						
10FE04	R	01	-	-		CREATED PD	250701	MJM	MJM	TM	TM
23MR04	R	01	AA	-		PROCESS SENSITIVE DIM WAS 21; ADDED DIMS 346, 347 & 348; ADDED 'ONLY' TO TERMINAL NOTE					
14AP04	R	01	AB	-		ADDED DIM 349; DIM 333 WAS 2X; DIM 317 TOLERANCE WAS ± 0.1 ; DIMS 329, 330, 331 AND 338 TOLERANCE WAS ± 0.15	254065	RH	RH	TM	TM
15AP04	R	01	AC	-		DIM 317 TOLERANCE WAS ± 0.8 , ADDED TBT ± 0.8 ; DIMS 329, 330, 331 AND 338 TOLERANCE WAS ± 0.12 , ADDED TBT ± 0.12	254127	RH	RH	TM	TM
14JA05	-	02	-	-		REMOVED MATERIAL SAVER ONE PLACE	263487	J5	J5	TM	TM



- NOTES:
- UNLESS OTHERWISE SPECIFIED AND/OR INDICATED: DIMENSIONS ARE TO FACE OF VIEW SHOWN AND AUTOMATICALLY ROUNDED BY COMPUTER FOR INSPECTION. (SEE MATH MODEL FOR PRECISE DIMENSION) FOR ALL OTHER DIMENSIONS NOT SHOWN BUT REQUIRED FOR TOOL BUILD, SEE MATH MODEL FOR PRECISE TOOL PATH DATA.
 - MATING COMPONENTS:
CONNECTOR 15336477 OR EQUIVALENT
TERMINALS 154894100 AND 15479524 ONLY
MAX. INSULATION CRIMP MUST BE LESS THAN 3.6 HIGH AND 4 WIDE
SECONDARY TERMINAL LOCK 12176632 OR EQUIVALENT
MAX. CABLE O.D. 3.4
CONNECTOR POSITION ASSURANCE LOCK 12052834 OR EQUIVALENT
SHORTING CLIP 12110140 OR EQUIVALENT
 - THIS PART IS NOT CONTROLLED FOR AUTOMATIC FEEDING.
 - TOOL CAVITY IDENTIFICATION SHOULD BE LOCATED NEAR THE GATE.
 - MATERIAL RECYCLING CODE PER ISO 11469. (2.3)(10.1) CHARACTERS AS SHOWN TO BE LOCATED ON ANY EXTERIOR SURFACE.
 - (2.3)(10.1) DELPHI CORPORATE BRAND TO BE LOCATED ON ANY EXTERIOR SURFACE, PREFERABLY VISIBLE AT FINAL ASSEMBLY. OPTIONAL CONSTRUCTION TO BE "PED".



DIMENSIONAL RANGE (MM)		CHART ET	
FROM	TO	SCALE	ANGLE
> 0	> 20	> 30	> 70
> 20	> 30	> 100	> 150
> 30	> 100	> 150	> 200
> 100	> 200	> 250	> 300
> 200	> 300	> 400	> 500

UNLESS OTHERWISE SPECIFIED
DIMENSIONS ENCLOSED IN () INDICATE REFERENCE DIMENSIONS AND NO TOLERANCE LIMITS ARE ESTABLISHED

9 PROCESS SENSITIVE DIMENSION

THIRD ANGLE PROJECTION

DO NOT SCALE

USE MATH DATA

DWS TYPE		PART DRAWING	
STYLE		DISTR CODE	D
VOLUME (COP)	3,256		

UNLESS OTHERWISE SPECIFIED
THIS DOCUMENT IS IN ACCORDANCE WITH ASME Y14.5M-1994 AS AMENDED BY THE ON-SIGNAL DIMENSIONING AND TOLERANCING ADDENDUM-2003. SEPARATE PATTERNS OF FEATURES MAY BE OBTAINED SEPARATELY REGARDLESS OF DATUM REFERENCES.

ALL DIMENSIONS ARE IN MILLIMETERS

REFERENCE

DELPHI
DELPHI PACKARD ELECTRIC SYSTEMS
WARREN, OH

DR	DATE
APVD1 M. MAYER	10FE04
APVD2 M. MAYER	10FE04
APVD3 TOM MADDEN	10FE04
APVD4	
APVD5	

SUBSTANCES OF CONCERN AND RECYCLED CONTENT PER DELPHI 10949001

MATERIAL M3592006 PLAS PA66 HS 1M YEL

DRAWING NAME
CONN 4 F M/P 280 YEL

DRAWING NUMBER
15476577

SIZE A0 SCALE 5:1 FRAME NO 1 OF 1 SHEET NO 1 OF 1 DATE 10-02

X-ON Electronics

Largest Supplier of Electrical and Electronic Components

Click to view similar products for [Automotive Connectors](#) category:

Click to view products by [APTIV](#) manufacturer:

Other Similar products are found below :

[003-018-000](#) [60403001](#) [60993906-B](#) [M902-2131](#) [M902-2161](#) [72.330.1035.1](#) [73.353.4028.0](#) [F119300-B](#) [F166900](#) [F258300-B](#) [F358300-B](#)
[F407400](#) [F444110](#) [F487000](#) [F509500B-B](#) [827153-1](#) [8N1515-32-24P](#) [9-1326729-8](#) [925474-1](#) [928905-1](#) [964562-4](#) [968782-1](#) [GT17SA-8DS-](#)
[HU](#) [98891-1012](#) [98947-1016](#) [12004475-L](#) [12010290](#) [12010309-B](#) [12015454](#) [12020219-B](#) [12020308](#) [12041318-B](#) [12052225-L](#) [12052466](#)
[12059125](#) [12064869](#) [12004327-B](#) [12010503-B](#) [12015308](#) [12015384](#) [12015909](#) [1-21030-1](#) [12041254](#) [12041318](#) [12047946-B](#) [12047957](#)
[12047957-L](#) [12059473](#) [12066261](#) [12110546](#)