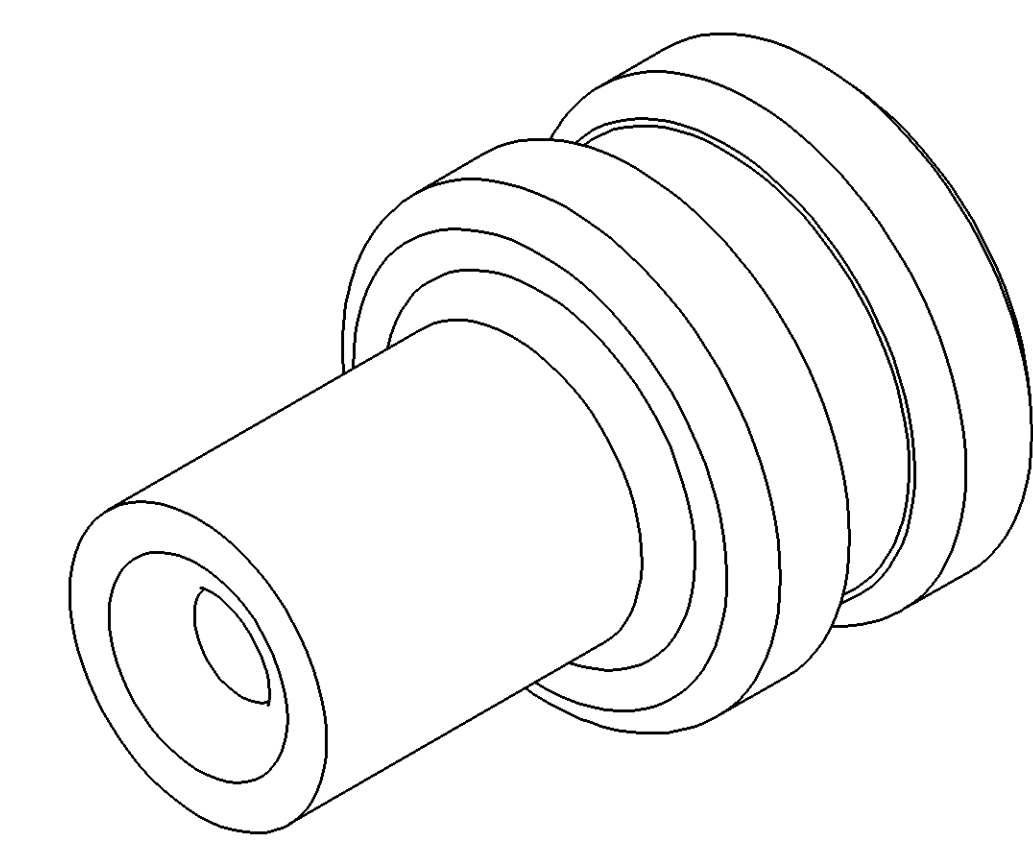
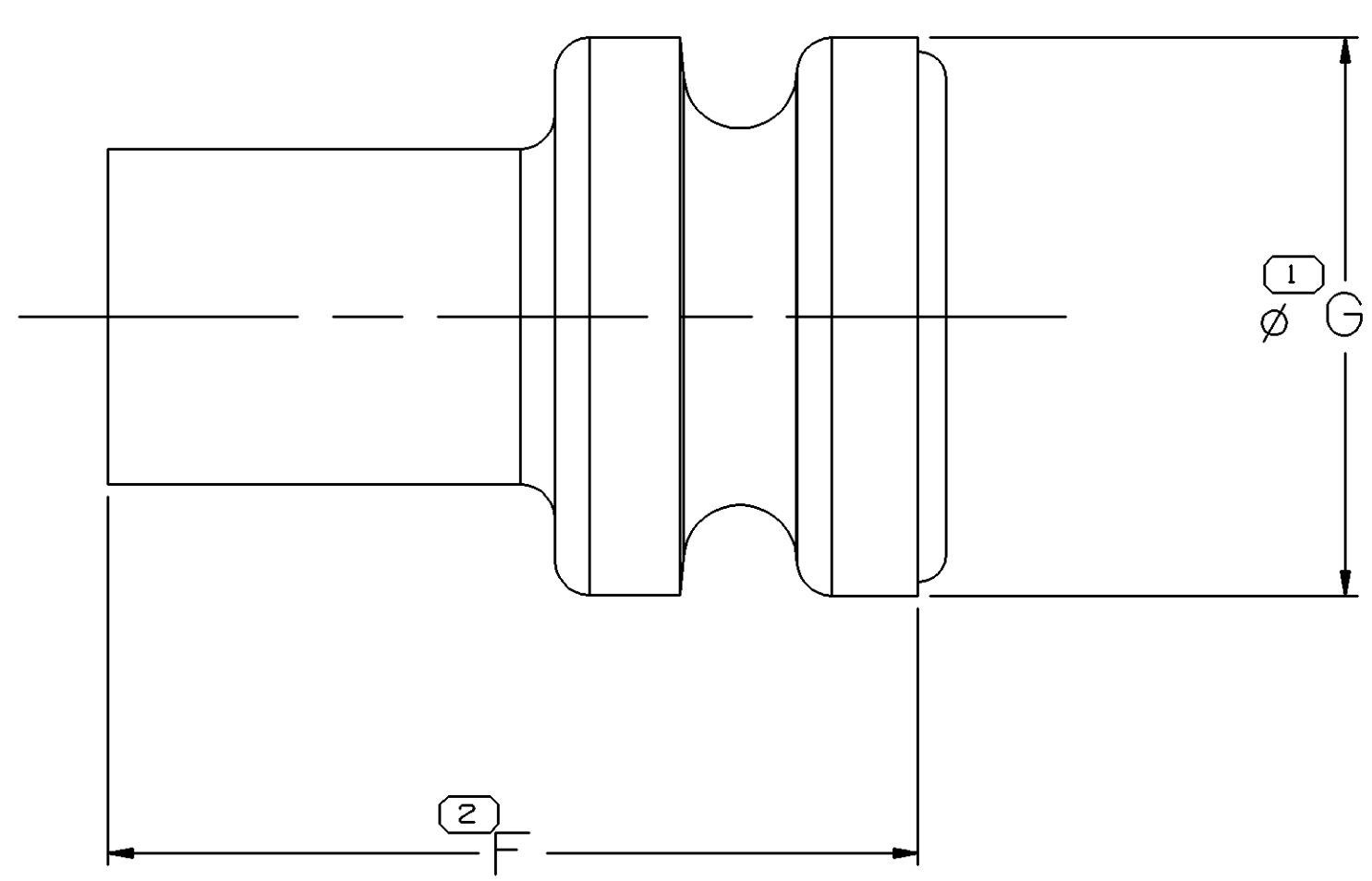
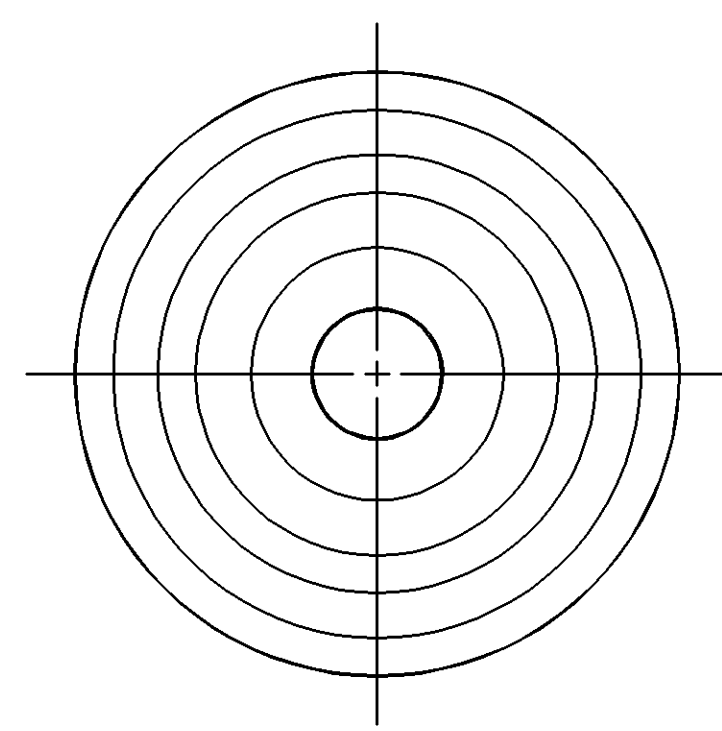
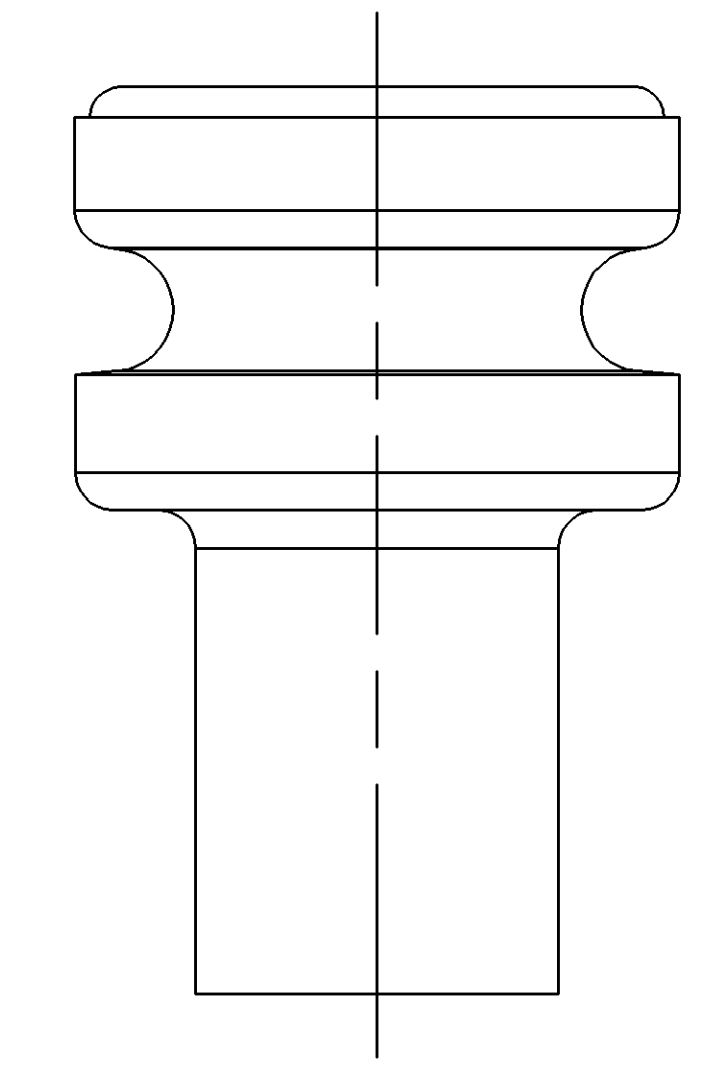


| SYMBOL DEFINITION | | MISSING SYMBOLS | |
|--|----------------------------------|--------------------------|--|
| A DIMENSION WITHOUT AN INSPECTION REPORT SYMBOL DOES NOT REQUIRE INSPECTION. IT MAY BE CONTROLLED ON THE INDIVIDUAL COMPONENT DRAWING. | TOTAL NO OF INSPECTIONS REQUIRED | NO MISSING SYMBOL NUMBER | |
| | 2 | | |
| | LAST NO. USED | | |
| | 2 | | |

| DWO STATUS | | | | | REVISION HISTORY | | | | | AUTH | | |
|------------|-----|-----|-----|-----|------------------|--|--|--|--|--------|-----|-----|
| DATE | STG | REV | N/P | CHO | ZONE | | | | | | | |
| 17DE03 | R | 01 | - | - | | | | | PD CREATED | 250200 | BRB | BRB |
| 21AP04 | R | 01 | AA | - | | | | | MATL WAS M3510006; ADDED TOL TO COL. 6 | 254293 | MAC | JU |



VIEW SCALE DOES NOT REFLECT ACTUAL PART SIZE

NOTES

- UNLESS OTHERWISE SPECIFIED AND/OR INDICATED: DIMENSIONS ARE TO FACE OF VIEW SHOWN AND AUTOMATICALLY ROUNDED BY COMPUTER FOR INSPECTION. (SEE MATH MODEL FOR PRECISE DIMENSIONS.) FOR ALL OTHER DIMENSIONS NOT SHOWN BUT REQUIRED FOR TOOL BUILD, SEE MATH MODEL FOR PRECISE TOOL PATH DATA.
- PARTS SHOULD BE MADE FROM VIRGIN MATERIAL ONLY.

| DWO TYPE | | PART DRAWING | |
|-------------|-------|--------------|---|
| STYLE | | DISTR CODE | D |
| VOLUME (OP) | 0,036 | | |
| ROUTING | 6900 | | |

DELPHI
DELPHI PACKARD ELECTRIC SYSTEMS
WARREN, OH

| DR | DATE |
|---------------------|--------|
| DR B. BURNS | 17DE03 |
| APVD1 B. BURNS | 17DE03 |
| APVD2 B. BURNS | 17DE03 |
| APVD3 SCOTT DOMHOFF | 17DE03 |
| APVD4 | |
| APVD5 | |

MATERIAL SEC CHART

DRAWING NAME: SEAL CBL 1W

DRAWING NUMBER: 15483009

SIZE: AO SCALE: 20:1 FRAME NO: 1 SHEET NO: 1 OF 1 STG REV: R 01 AA

| DIMENSIONAL RANGE LIMITS | | CHART C | | THIRD ANGLE PROJECTION | | DO NOT SCALE | |
|--------------------------------------|------|---------|------|------------------------|--|--------------|--|
| FROM | > 0 | > 25 | > 60 | > 80 | | | |
| TO | ≤ 0 | ≤ 60 | ≤ 80 | | | | |
| TOLERANCE UNLESS OTHERWISE SPECIFIED | ±0.3 | ±0.5 | ±0.6 | ±0.75 | | | |
| ANGULAR TOLERANCE | ±2° | | | | | | |

| PART NO | STG | REV | N/P | STATUS | MATERIAL SPECIFICATION AND COLOR** | CABLE O.D. PACKARD NORTH AMERICA | CABLE O.D. DIN* | F | G | CAV I.D. |
|----------|-----|-----|-----|--------|---|----------------------------------|-----------------|-----|-------------|------------|
| 15483009 | R | 01 | AA | | M5310006-30 SHORE A FLUOROSILICONE-YELLOW | 1.47-1.85 | 1.4-1.9 | 5.8 | 4 ±.1/-0.05 | 3.2X4 OVAL |

X-ON Electronics

Largest Supplier of Electrical and Electronic Components

Click to view similar products for [Automotive Connectors](#) category:

Click to view products by [APTIV](#) manufacturer:

Other Similar products are found below :

[003-018-000](#) [60993906-B](#) [M902-2131](#) [M902-2161](#) [M902-2344](#) [72.330.1035.1](#) [73.353.4028.0](#) [F166900](#) [F358300-B](#) [F407400](#) [776880-1](#)
[827153-1](#) [8N1515-32-24P](#) [9-1326729-8](#) [925474-1](#) [928905-1](#) [964562-4](#) [968782-1](#) [98891-1012](#) [12004475-L](#) [12020308](#) [12041318-B](#)
[12052466](#) [12064869](#) [12015909](#) [1-21030-1](#) [12041254](#) [12041318](#) [12047946-B](#) [12110546-B](#) [12131792](#) [12084688](#) [12092346](#) [HD34-18-14PT](#)
[HD46-24-23SN-059](#) [HDB36-24-16PN-059](#) [HDP26-24-9SE-L015](#) [12185280](#) [12185550](#) [12336-12](#) [12191172-B](#) [12S](#) [13545280](#) [13577943](#)
[13681974](#) [13737722-B](#) [13830674](#) [13832576](#) [13849772](#) [13542772](#)