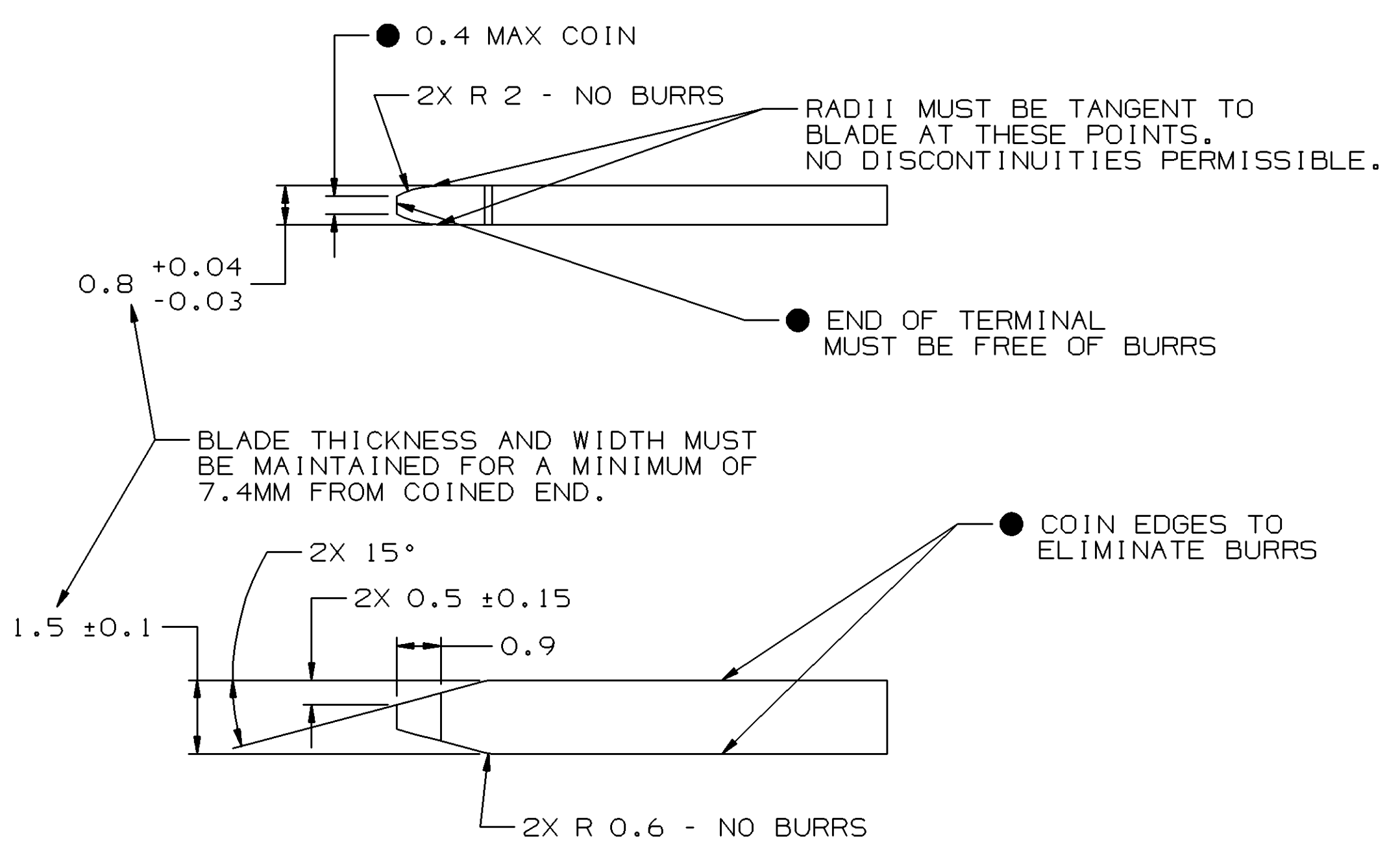


SYMBOL DEFINITION		TOTAL NO OF INSPECTIONS REQUIRED	
○	A DIMENSION WITHOUT AN INSPECTION REPORT SYMBOL DOES NOT REQUIRE INSPECTION. IT MAY BE CONTROLLED ON THE INDIVIDUAL COMPONENT DRAWING.	17	
○		17	

DATE		REV		N/P		CHG		ZONE		REVISION HISTORY		AUTH		DR		APVD	
01MR04	R	01	-	-	-	-	-	-	-	WAS PE123937 AND RELEASED		252295	ADK	ADK	1	2	



● THESE DIMENSIONS ARE CRITICAL TO THE MECHANICAL AND ELECTRICAL PERFORMANCE OF THE CONNECTION SYSTEM.

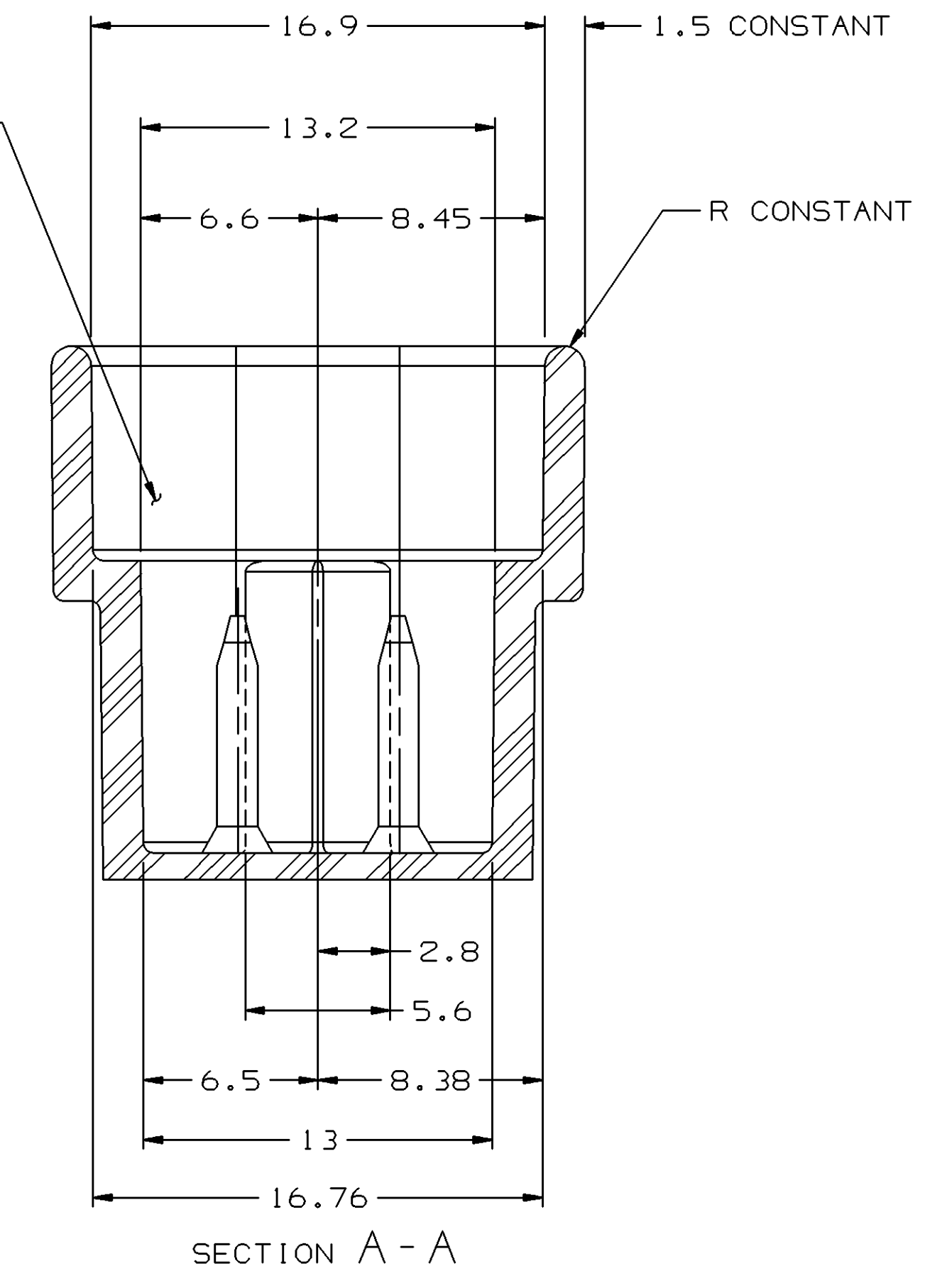
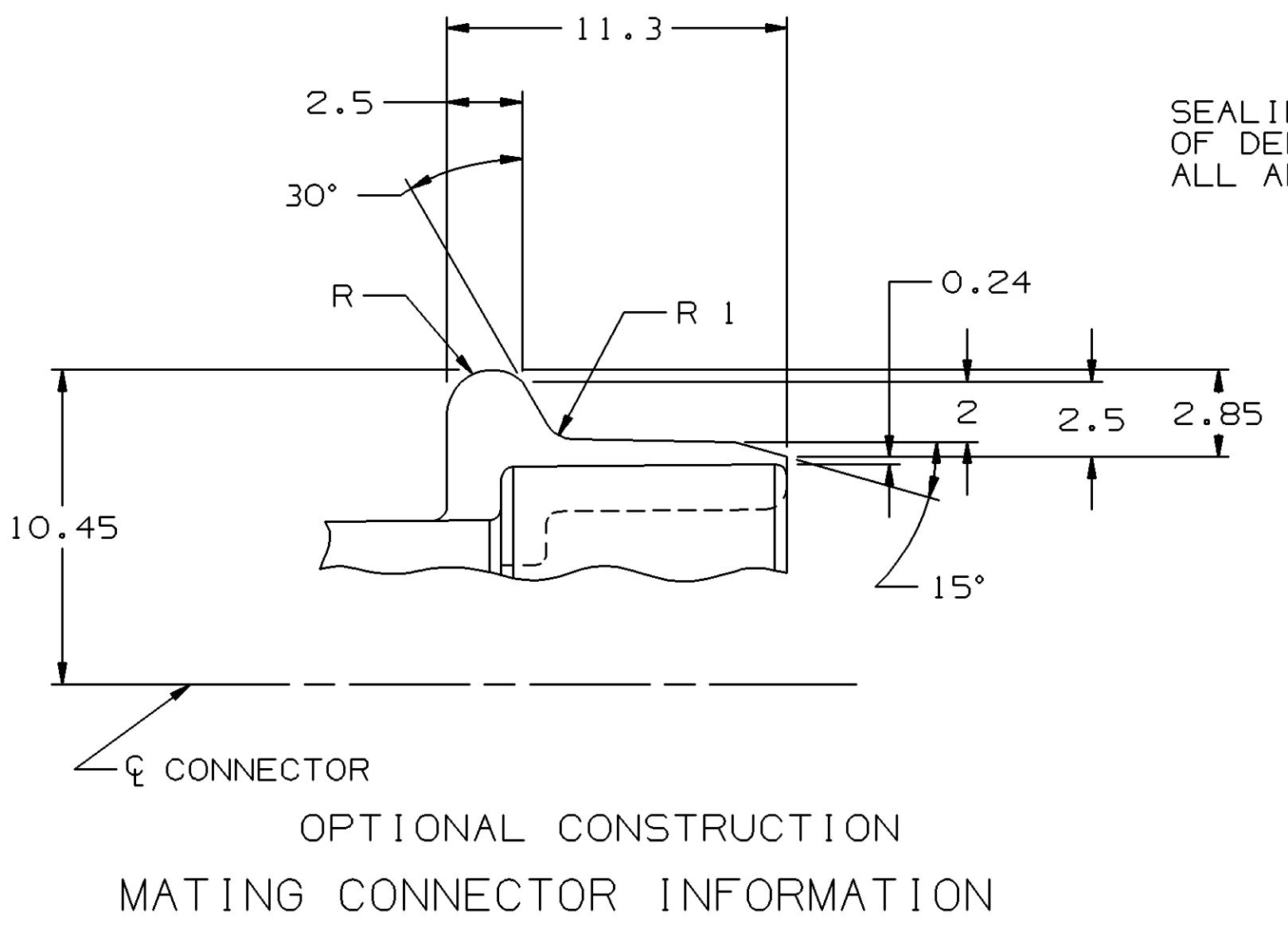
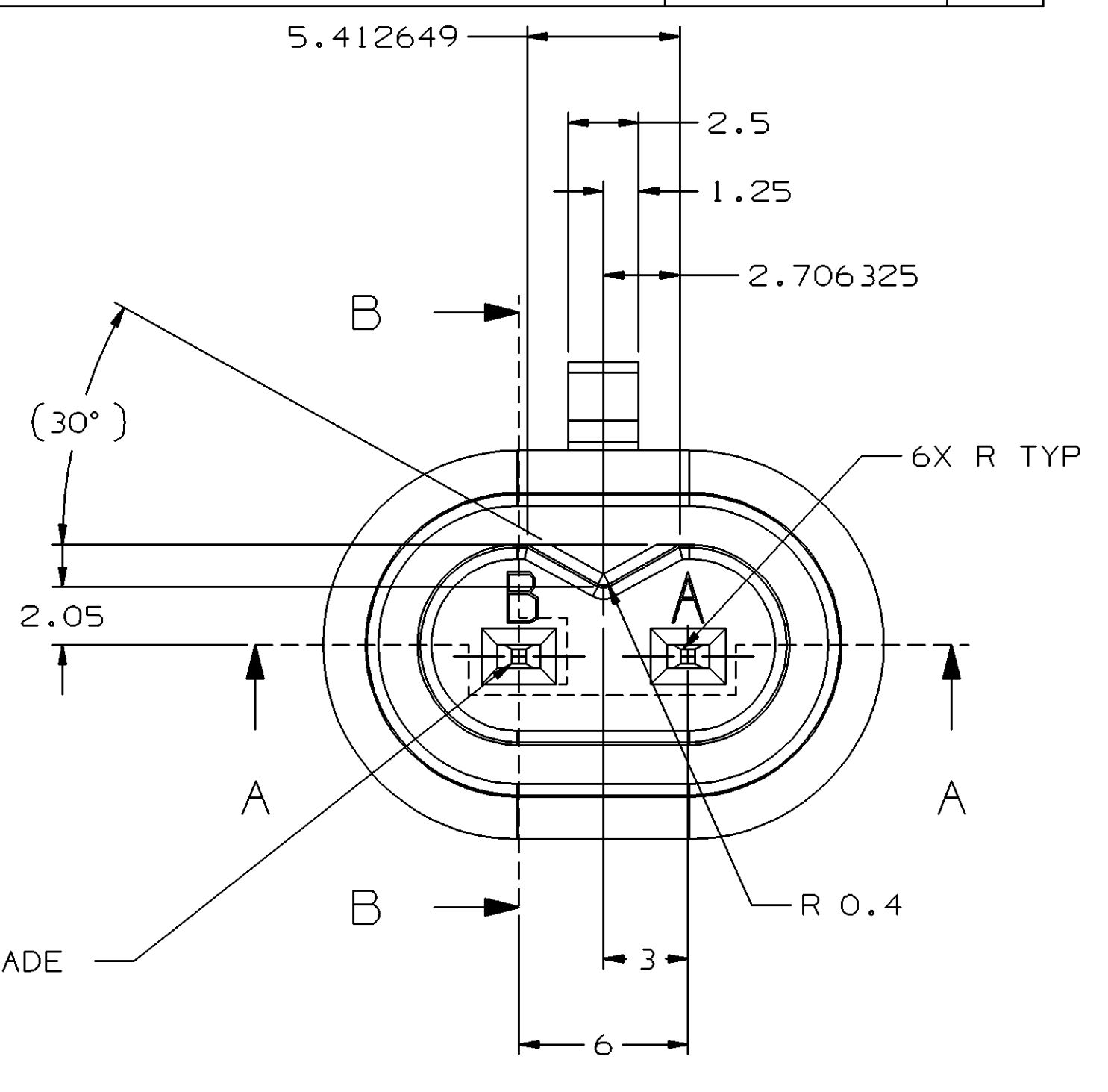
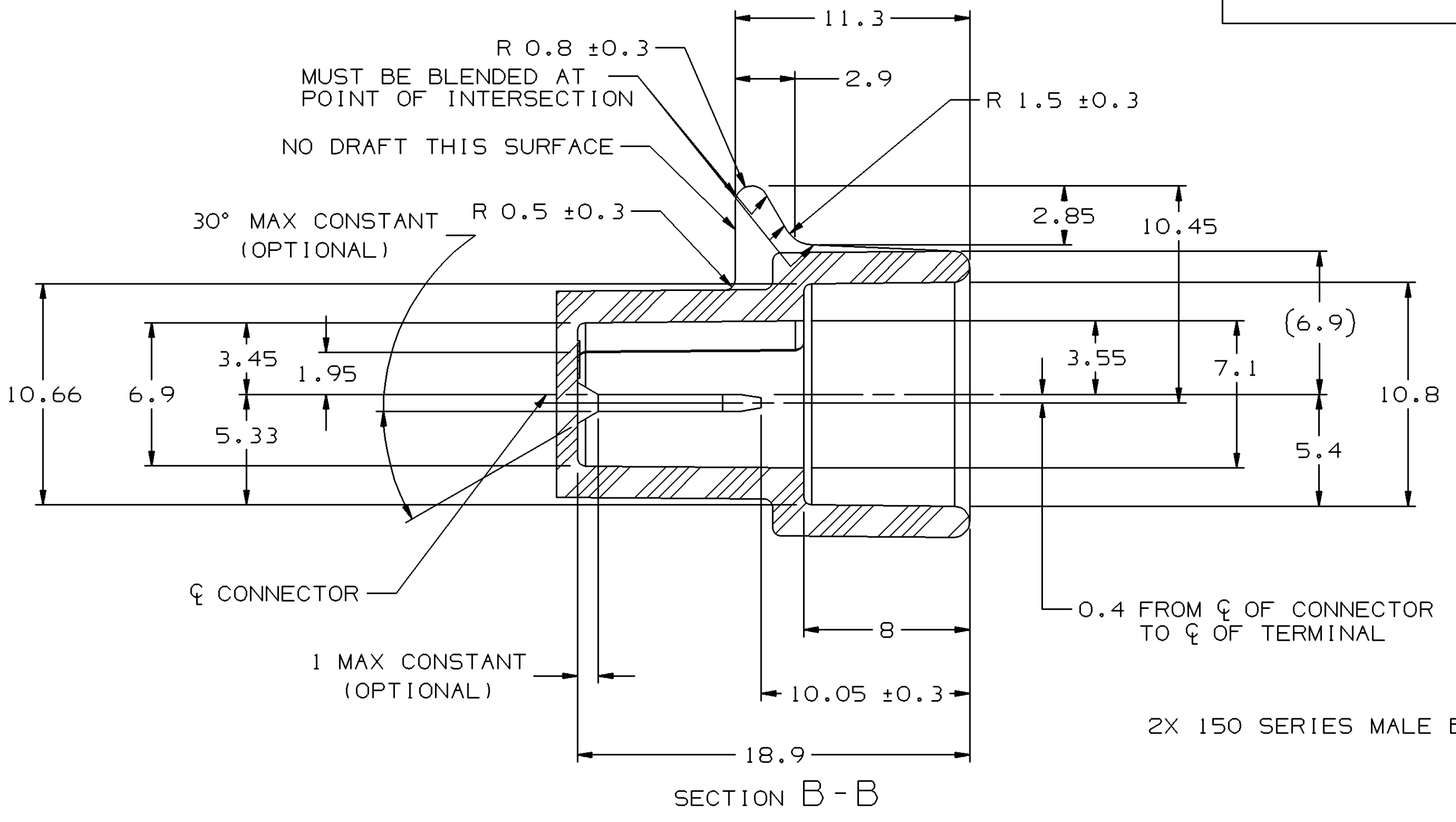
### MATERIAL SPECIFICATIONS

**RECOMMENDED**  
BASE METAL - CDA-210, EXTRA SPRING TEMPER

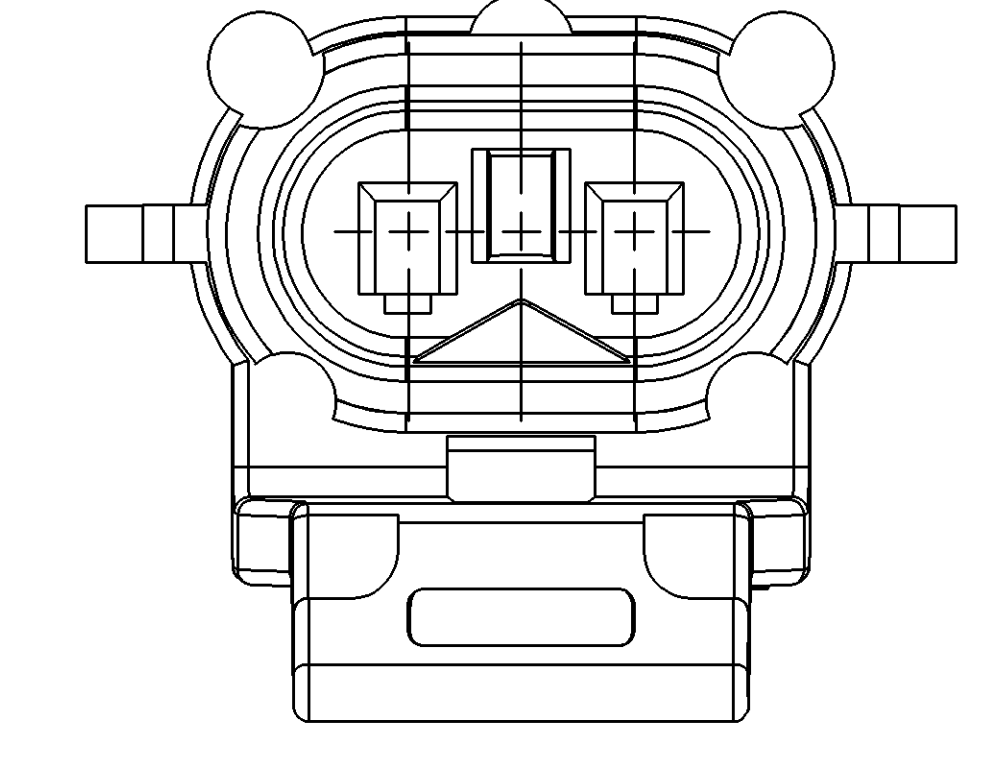
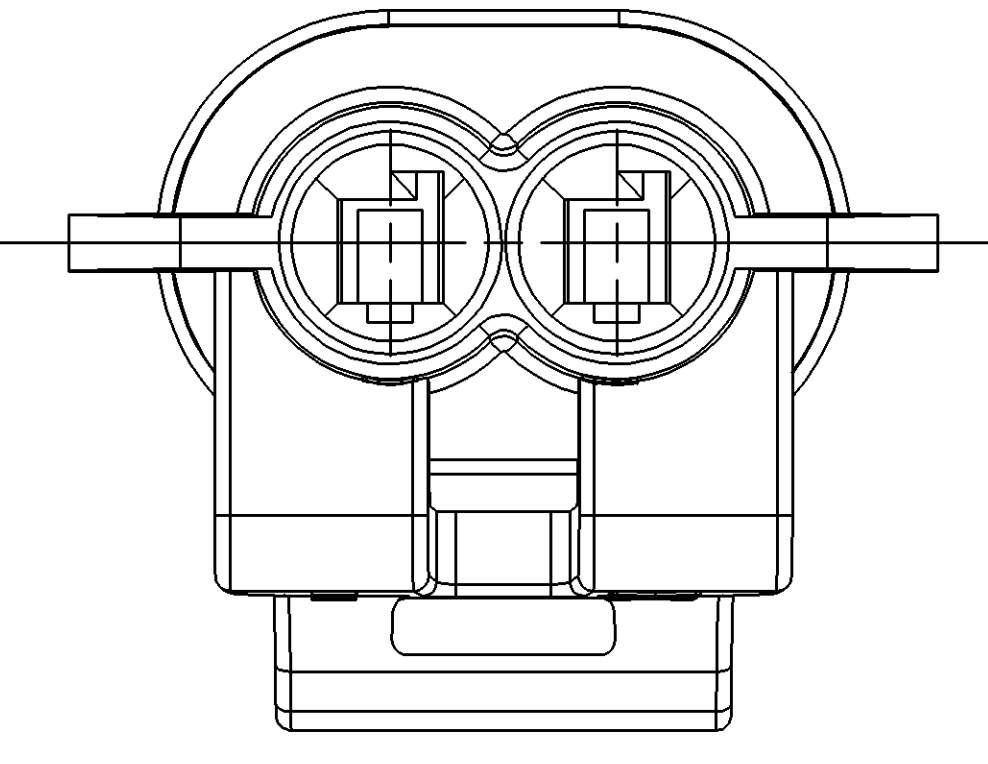
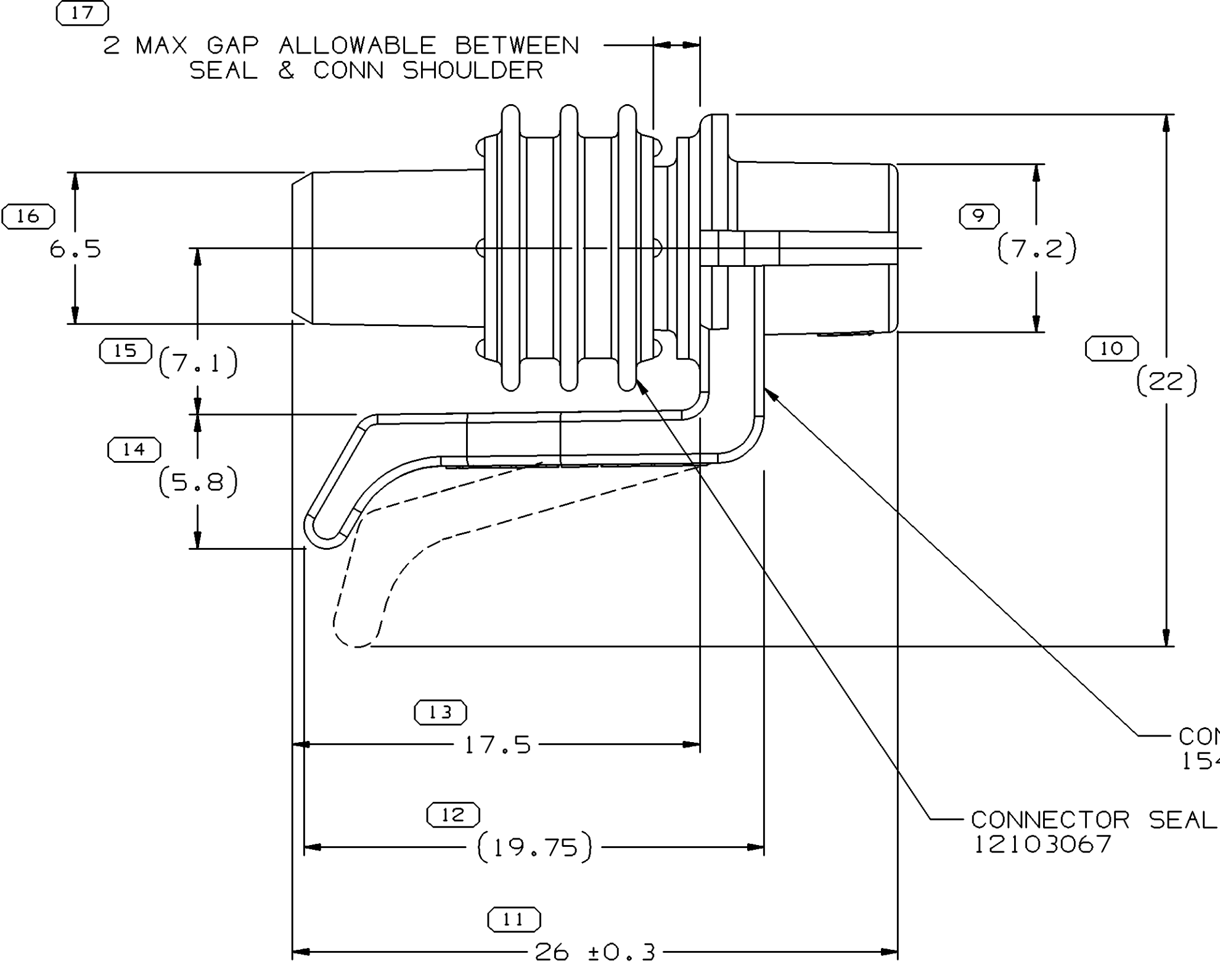
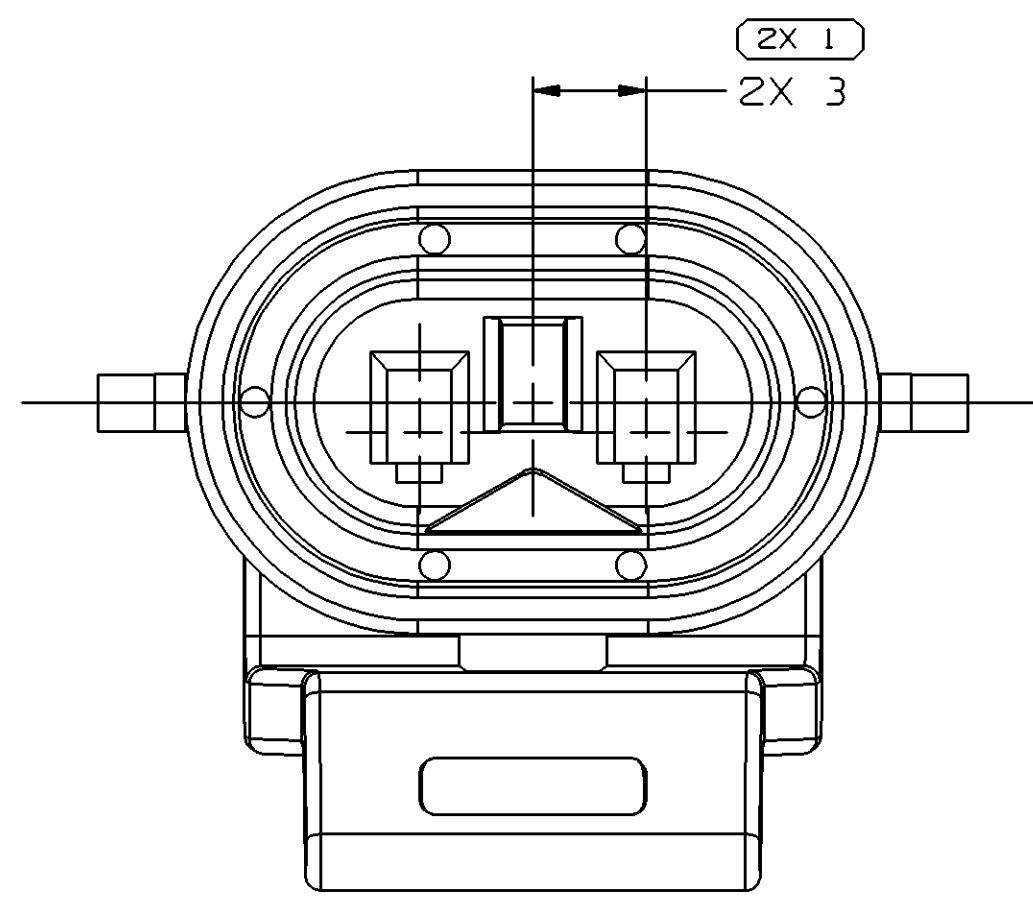
- TIN PLATING (WHERE APPLICABLE TO 125°C MAX CONTINUOUS USAGE): 0.0050±0.0025 MM (200±100 >IN) ELECTROPLATED TIN.
- USAGE OF PLATING TYPES OTHER THAN RECOMMENDED MUST BE APPROVED BY DELPHI PACKARD ELECTRIC SYSTEMS ENGINEERING.

**MINIMUMS**  
ELECTRICAL CONDUCTIVITY - ≥28% IACS AT 20 °C. USE OF A MATERIAL WITH CONDUCTIVITY <28% IACS MUST BE APPROVED BY PACKARD ELECTRIC MATERIALS ENGINEERING.  
TENSILE STRENGTH - 430 - 480 MPa  
UNDERPLATING FOR TIN PLATING - FOR BASE MATERIALS CONTAINING 10% OR MORE ZINC, AN UNDERPLATE OF COPPER 0.0025 MM (100 >IN) MINIMUM THICK IS REQUIRED.  
PROCESSING LUBRICANT - ANY PROCESSING LUBRICANT REMAINING ON TERMINALS MUST NOT VARNISH OR DEGRADE THE ELECTRICAL PERFORMANCE OF THE CONNECTION UP TO A MAXIMUM TEMPERATURE OF 150°C. PROCESSING LUBRICANTS MUST BE APPROVED BY DELPHI PACKARD ELECTRIC SYSTEMS ENGINEERING.

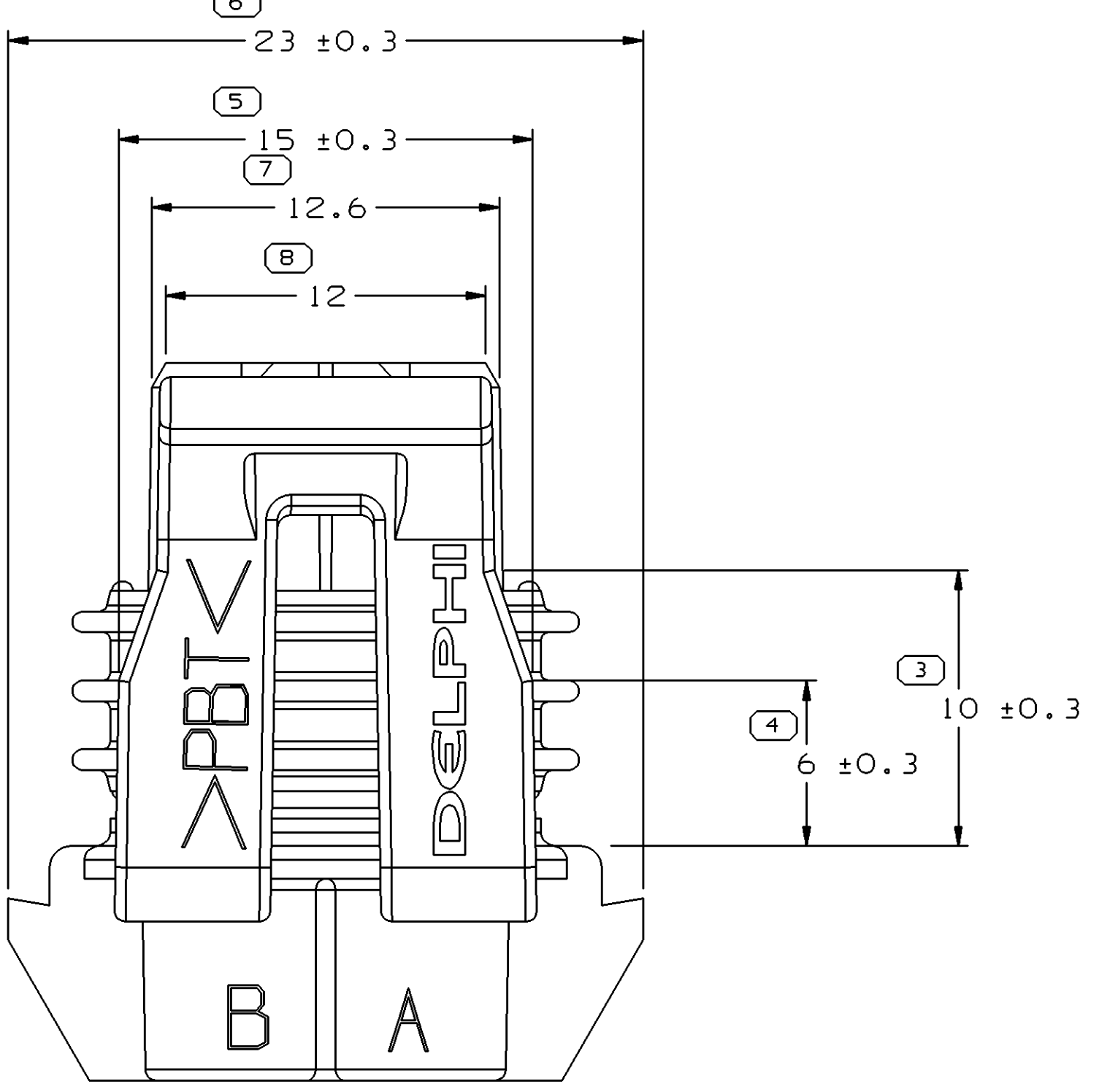
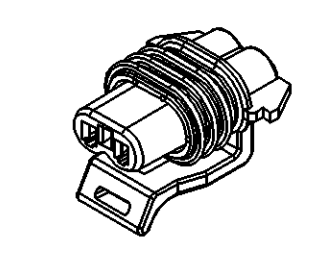
### MATING BLADE INFORMATION



- NOTES
- ALL RADII 0.4, UNLESS OTHERWISE SPECIFIED
  - RECOMMENDED MATERIAL - GLASS FILLED NYLON OR POLYESTER
  - WHEN USING THIS INFORMATION FOR A NEW DESIGN, REQUEST THE LATEST COPY OF THIS PRINT FROM PACKARD ELECTRIC



- NOTES
- UNLESS OTHERWISE SPECIFIED AND/OR INDICATED: DIMENSIONS ARE TO FACE OF VIEW SHOWN AND AUTOMATICALLY ROUNDED BY COMPUTER FOR INSPECTION (SEE MATH MODEL FOR PRECISE DIMENSIONS). FOR ALL OTHER DIMENSIONS NOT SHOWN BUT REQUIRED FOR TOOL BUILD, SEE MATH MODEL FOR PRECISE TOOL PATH DATA.
  - SEALING CODE 3 - DESIGN WILL PASS SALT FOG AND IMMERSION TEST AFTER CONDITIONING AS SPECIFIED IN ESA-644 (WEATHER-PACK), ESA-710 (METRI-PACK), ESA-650 (UNDERHOOD MICRO-PACK), C-4006 (WORLD CONNECTOR), ETC WHEN MATED TO MATING PART OR EQUIVALENT
  - THIS PART ACCEPTS THE FOLLOWING COMPONENTS OR EQUIVALENT: CAVITIES TO ACCEPT TERMINAL - 12048074  
CABLE SEAL - 12048086  
SECONDARY LOCK - 15487369  
MAXIMUM CABLE Ø 2.8 MM
  - WHEN PARTS ARE SHIPPED, THEY MUST BE PACKED IN PLASTIC BAGS OR SHIPPING CONTAINERS MUST BE LINED WITH PLASTIC LINERS. BAGS OR LINERS MUST BE SEALED TO AVOID ENTRY OF FOREIGN MATTER.
  - THIS CONNECTOR IS TO MATE WITH EPP SOLENOID OR EQUIVALENT.



FROM	TO	DIMENSIONAL RANGE (MM)	TOLERANCE UNLESS OTHERWISE SPECIFIED	CHART ET					
>0	>20	>30	>70	>100	>150	>200	>250	>300	>400
±0.15	±0.2	±0.3	±0.4	±0.5	±0.6	±0.8	±1	±1.2	±1.5

**DELPHI**  
DELPHI PACKARD ELECTRIC SYSTEMS  
WARREN, OH

DR	DATE
APVD1 J. RAINEY	255E03
APVD2 J. RAINEY	255E03
APVD3 CAROL FITCH	295E03
APVD4	
APVD5	

UNLESS OTHERWISE SPECIFIED  
THIS DOCUMENT IS IN ACCORDANCE WITH ASME Y14.5M-1994  
AS INDICATED BY THE DIMENSIONING AND TOLERANCING ADDENDUM - 1997. ALL DIMENSIONS ARE TO UNLESS OTHERWISE SPECIFIED.  
MATERIAL SPECIFICATIONS ARE TO BE OBTAINED FROM THE SUPPLIER.  
SEPARATE POSITION DIMENSIONS MAY BE OBTAINED SEPARATELY.  
REWORK OF DATUM REFERENCE.  
ALL DIMENSIONS ARE IN MILLIMETERS.

DRWING NAME	DATE
ASM CONN 2 F M/P 150 BLK	

15487356

SIZE A0 SCALE 5:1 FRAME NO 1 OF 2 SHEET NO 4 OF 4

## X-ON Electronics

Largest Supplier of Electrical and Electronic Components

*Click to view similar products for [Automotive Connectors](#) category:*

*Click to view products by [APTIV](#) manufacturer:*

Other Similar products are found below :

[003-018-000](#) [60993906-B](#) [M902-2131](#) [M902-2161](#) [M902-2344](#) [72.330.1035.1](#) [73.353.4028.0](#) [F166900](#) [F358300-B](#) [F407400](#) [776880-1](#)  
[827153-1](#) [8N1515-32-24P](#) [9-1326729-8](#) [925474-1](#) [928905-1](#) [964562-4](#) [968782-1](#) [98891-1012](#) [12004475-L](#) [12020308](#) [12041318-B](#)  
[12052466](#) [12064869](#) [12015909](#) [1-21030-1](#) [12041254](#) [12041318](#) [12047946-B](#) [12110546-B](#) [12131792](#) [12084688](#) [12092346](#) [HD34-18-14PT](#)  
[HD46-24-23SN-059](#) [HDB36-24-16PN-059](#) [HDP26-24-9SE-L015](#) [12185280](#) [12185550](#) [12336-12](#) [12191172-B](#) [12S](#) [13545280](#) [13577943](#)  
[13681974](#) [13737722-B](#) [13830674](#) [13832576](#) [13849772](#) [13542772](#)