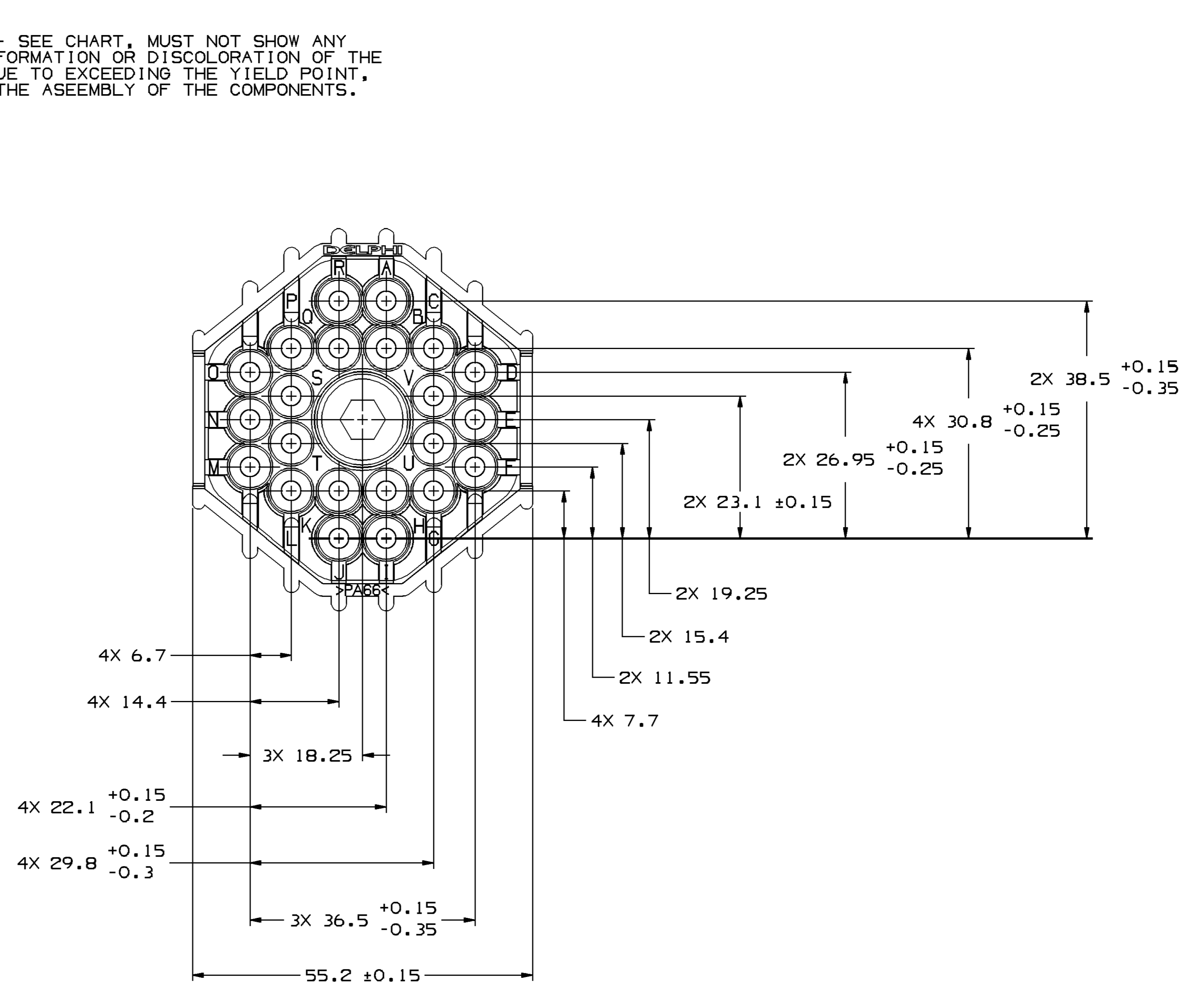
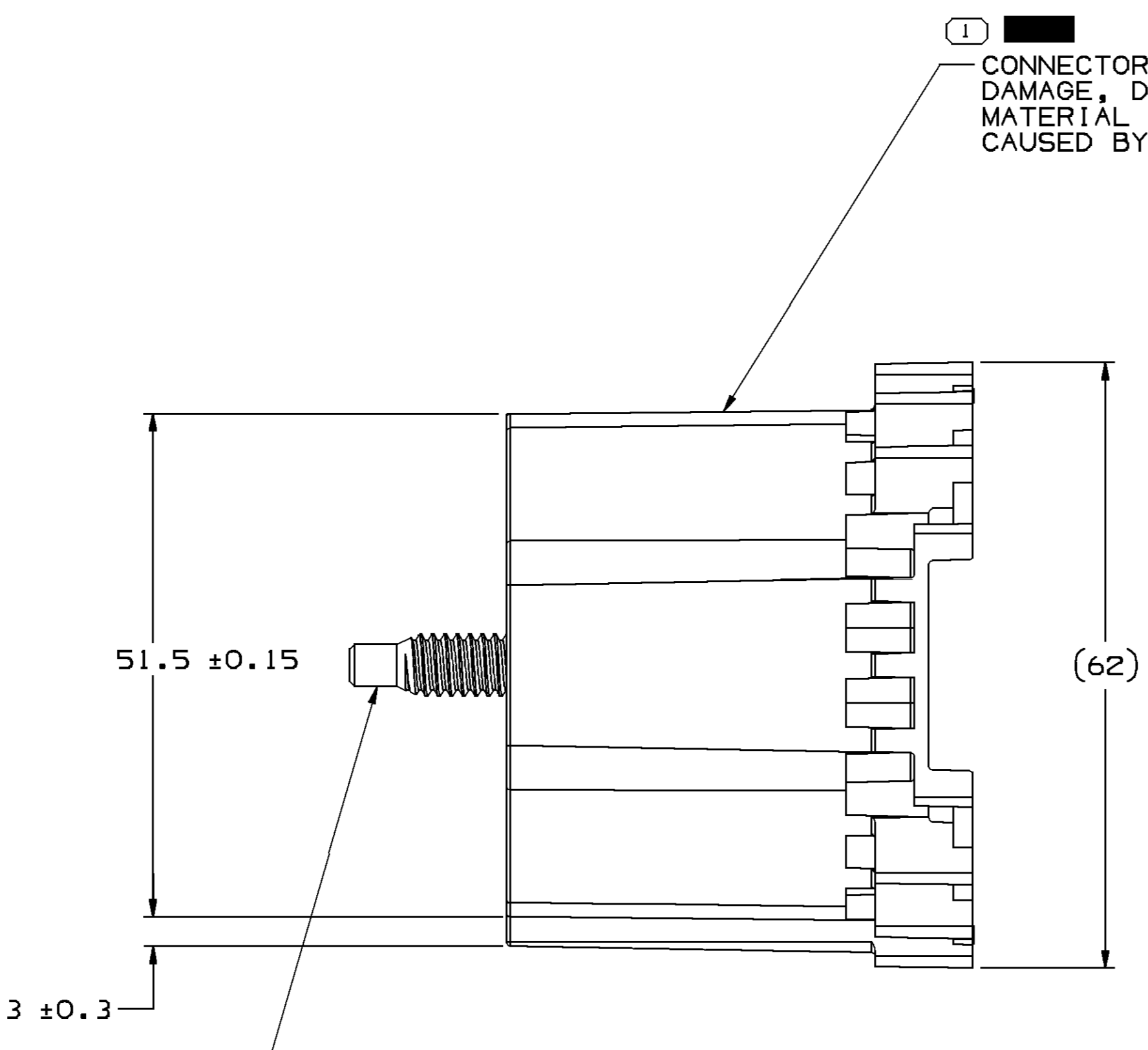
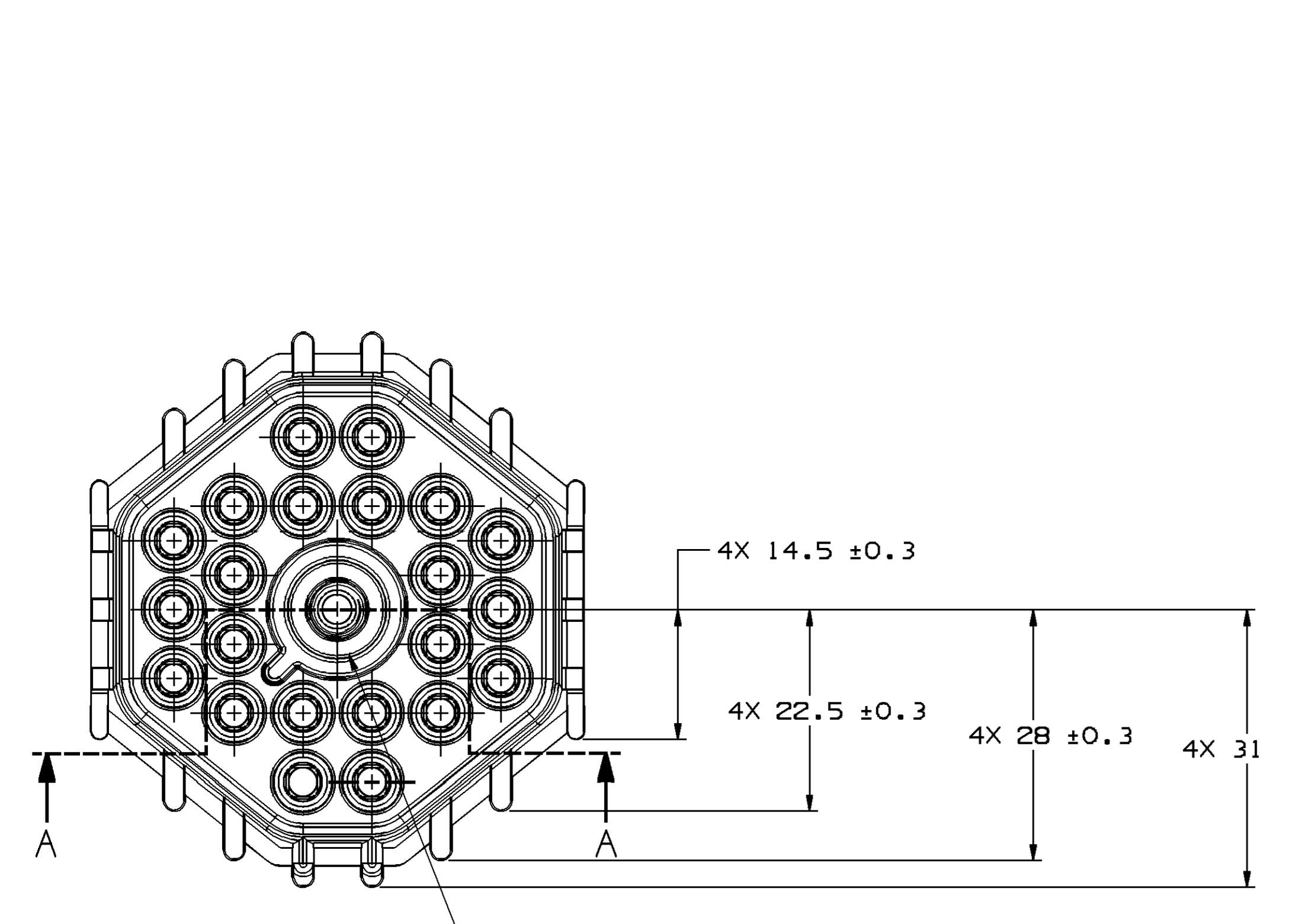
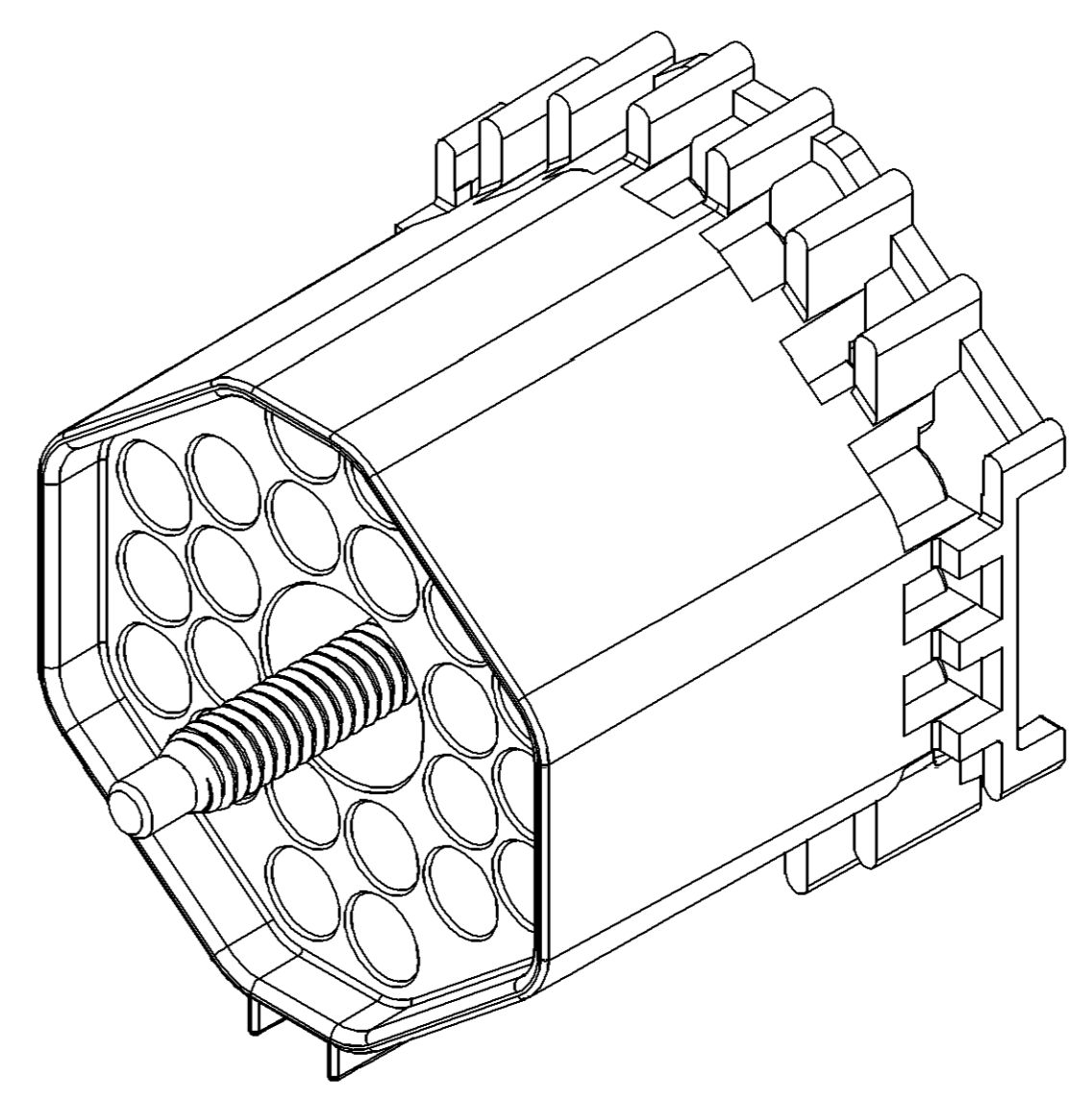
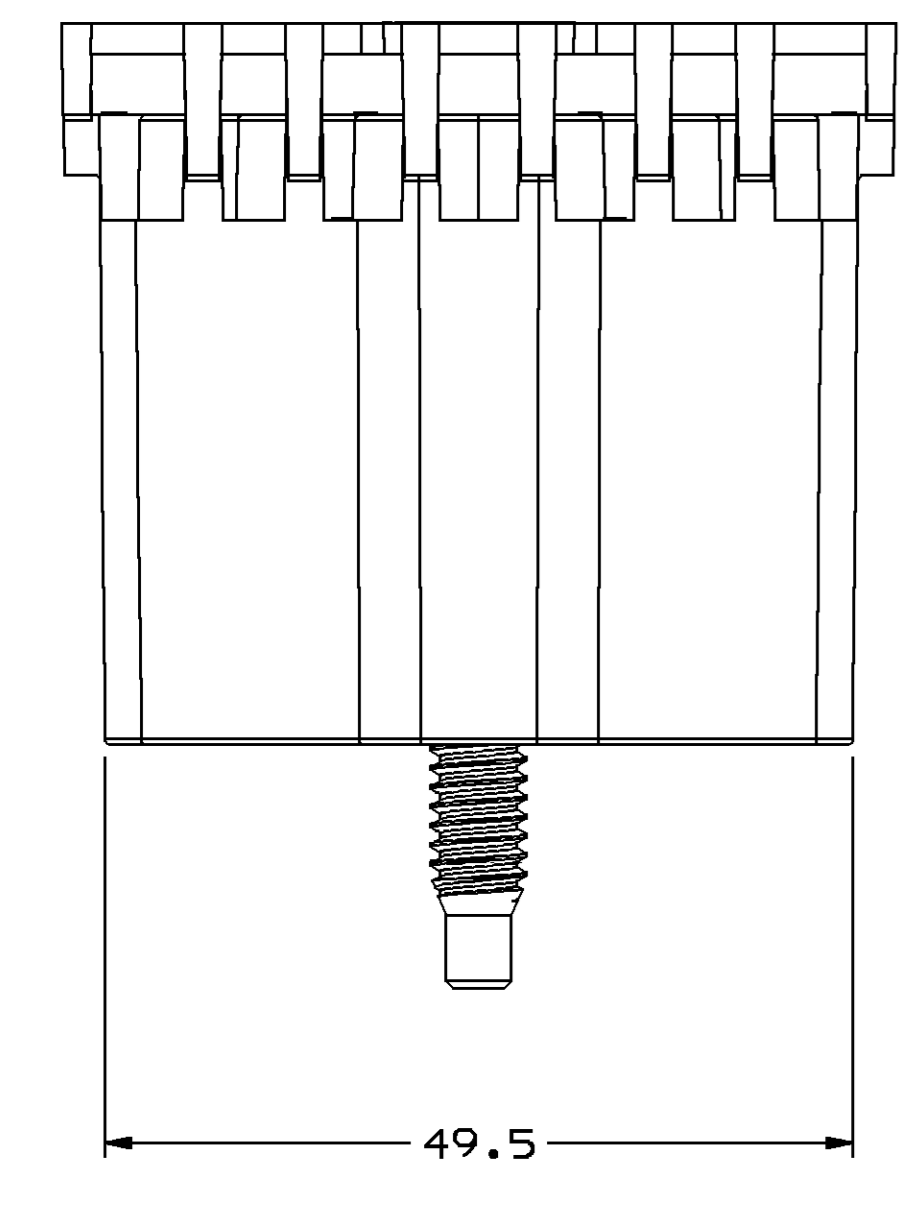


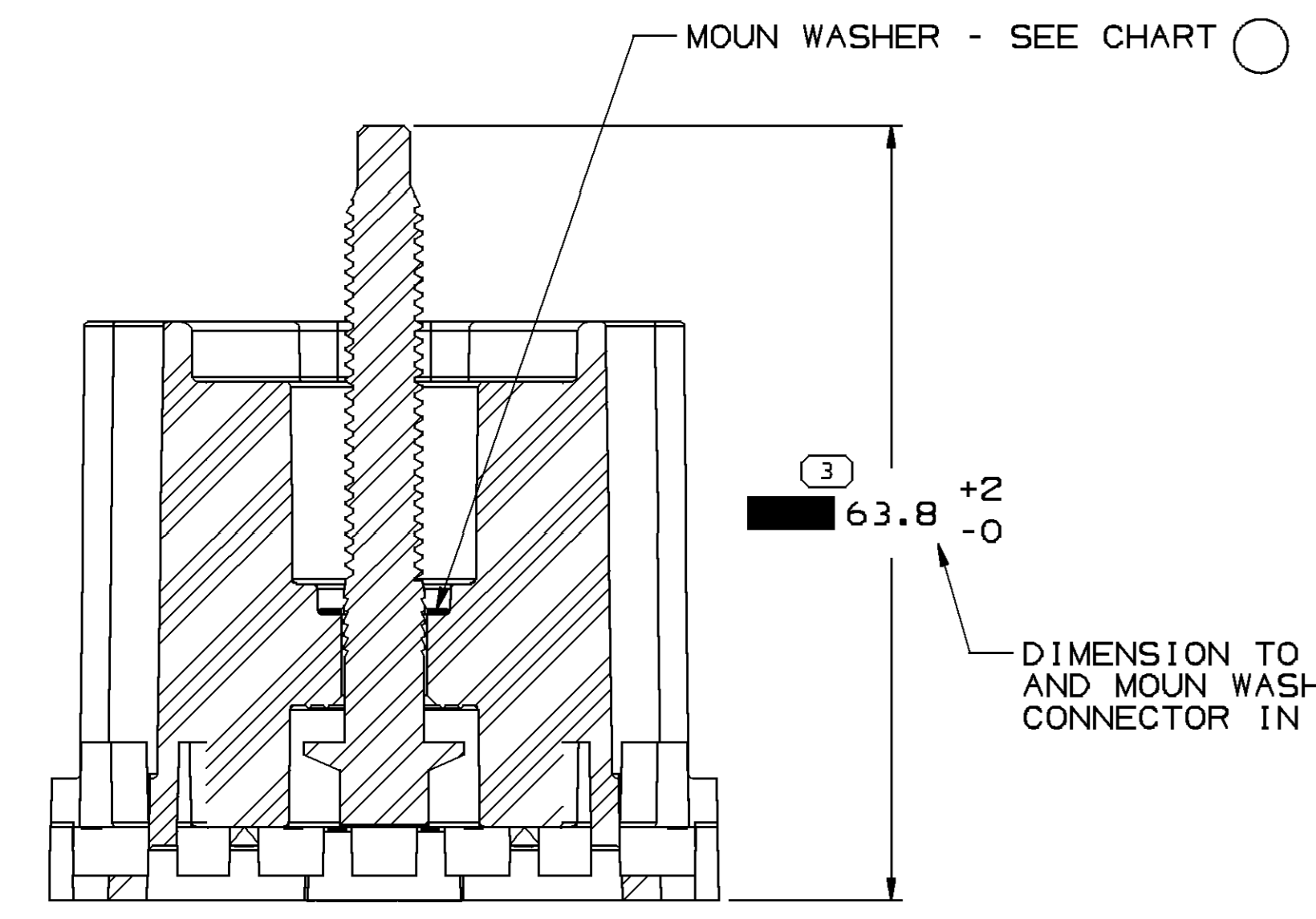
SYMBOL DEFINITION		MISSING SYMBOLS	
A DIMENSION WITHOUT AN INSPECTION REPORT SYMBOL DOES NOT REQUIRE INSPECTION. IT MAY BE CONTROLLED ON THE INDIVIDUAL COMPONENT DRAWING.	TOTAL NO OF INSPECTIONS REQUIRED	NO MISSING SYMBOL NUMBER	
	4		
	LAST NO. USED	4	

DWS STATUS					REVISION HISTORY					AUTH			
DATE	STG	REV	N/P	CHG	ZONE						DR	APVD	APV2
12JN08	R	08	-	-		CLEARED REV COL: 15492576 - REINSTATED					405018	FOO	FOO
17AP15	R	09	-	-		15492521 & 15492576 - UPDATED MOUN WASHER					429342	JVR	JVM



4 MOUN WASHER - SEE CHART, MUST NOT SHOWN ANY VISUAL CRACKS AFTER BEING ASSEMBLED.

2 BOLT - SEE CHART, MUST NOT SHOW ANY VISUAL CRACKS, DAMAGE, DEFORMATION OR SCORE MARKS AFTER BEING ASSEMBLED.



3 63.8 ±2/-0

DIMENSION TO BE MEASURED WITH BOLT AND MOUN WASHER ALLOWED TO REST AGAINST CONNECTOR IN POSITION SHOWN.

NOTES

- UNLESS OTHERWISE SPECIFIED AND/OR INDICATED: DIMENSIONS ARE TO FACE OF VIEW SHOWN AND AUTOMATICALLY ROUNDED BY COMPUTER FOR INSPECTION. (SEE MATH MODEL FOR PRECISE DIMENSIONS.) FOR ALL OTHER DIMENSIONS NOT SHOWN BUT REQUIRED FOR TOOL BUILD, SEE MATH MODEL FOR PRECISE TOOL PATH DATA.
- THIS ASSEMBLY IS TO BE BOLTED TO CONN. BODY ASM. WITH A TORQUE ON THE BOLT OF 5.65 N-M TO 7.91 N-M.
- SEALING CODE 3 - DESIGN WILL PASS SALT FOG AND IMMERSION TEST AFTER CONDITIONING AS SPECIFIED IN ESA-644 (WEATHER-PACK), ESA-710 (METRI-PACK), ESA-650 (UNDERHOOD MICRO-PACK), C-4006 (WORLD CONNECTOR), ETC. - WHEN MATED TO MATING PART OR EQUIVALENT
- ITEMS INDICATED BY "■" ARE CONTROLLED FOR THE COMPONENT ASSEMBLY. ALL OTHER ITEMS ARE CONTROLLED BY THE INDIVIDUAL COMPONENT DRAWING.
- THIS PRODUCT IS NOT CATEGORIZED AS AN APPEARANCE ITEM, MINOR IMPERFECTIONS INCLUDING, BUT NOT LIMITED TO, FLOW MARKS, COLOR BLEMISHES, GATE VESTIGE, AND SOFT FLASH THAT DO NOT AFFECT THE FIT, FORM, OR FUNCTION OF THE PART ARE PERMISSIBLE PER NAP 4.10-18.
- FOR APPLICATION DATA SEE THE INDIVIDUAL APPLICATION DRAWINGS.

PART NO	REV	N/P	CONNECTOR	BOLT	MOUN WASHER
15492576	01	AC	12077377	15492515	15492512
15492521	01	AB	12015923	15492515	15492512
12077378	A4	-	12077377	12010853	12004737
12026191	A	-	12020181	12010853	12004737
12026905	A4	-	12015923	12010853	12004737

DIMENSIONAL RANGE (MM)	CHART	EST
FROM > 0	> 20	> 30
TO > 20	> 30	> 70
	> 70	> 100
	> 100	> 150
	> 150	> 200
	> 200	> 250
	> 250	> 300
	> 300	> 400

DELPHI
DELPHI PACKARD ELECTRICAL/ELECTRONIC ARCHITECTURE
WARREN, OH
COPYRIGHT 2000 DELPHI CORPORATION AND/OR ITS AFFILIATES. ALL RIGHTS RESERVED.

THIS DRAWING IS THE PROPERTY OF DELPHI CORPORATION AND CONTAINS DELPHI CONFIDENTIAL INFORMATION. THE REPRODUCTION, DISTRIBUTION AND UTILIZATION OF THIS DOCUMENT OR ITS RELATED CAD DATA, AS WELL AS COMMUNICATION OF ANY CONTENT TO OTHERS, WITHOUT EXPRESS AUTHORIZATION, IS PROHIBITED.

DATE: _____

DR: R. BARBOZA

APV2: G. MACIAS

APV3: D. NAVARRO

APV4: _____

APV5: _____

SUBSTANCES OF CONCERN AND RECYCLED CONTENT PER DELPHI 19449001

MATERIAL SEE CHART

DRAWING NAME: TAXI ASM CONN M W/P SHD SLD

DRAWING NUMBER: 12077379

SIZE: A0 SCALE: 2:1 FRAM NO: 1 OF 1 SHEET NO: 1 OF 1 STG: R 09

X-ON Electronics

Largest Supplier of Electrical and Electronic Components

Click to view similar products for [Automotive Connectors](#) category:

Click to view products by [APTIV](#) manufacturer:

Other Similar products are found below :

[003-018-000](#) [60403001](#) [60993906-B](#) [629515004020001](#) [M902-2131](#) [M902-2161](#) [72.330.1035.1](#) [73.353.4028.0](#) [F119300-B](#) [F166900](#)
[F258300-B](#) [F358300-B](#) [F407400](#) [F444110](#) [F487000](#) [F509500B-B](#) [827153-1](#) [8N1515-32-24P](#) [9-1326729-8](#) [925474-1](#) [928905-1](#) [964562-4](#)
[968782-1](#) [GT17SA-8DS-HU](#) [98891-1012](#) [98947-1016](#) [12004475-L](#) [12010290](#) [12010309-B](#) [12015454](#) [12020219-B](#) [12020308](#) [12041318-B](#)
[12052225-L](#) [12052466](#) [12059125](#) [12064869](#) [12004327-B](#) [12010503-B](#) [12015308](#) [12015384](#) [12015909](#) [1-21030-1](#) [12041254](#) [12041318](#)
[12047946-B](#) [12047957](#) [12047957-L](#) [12059473](#) [12066261](#)