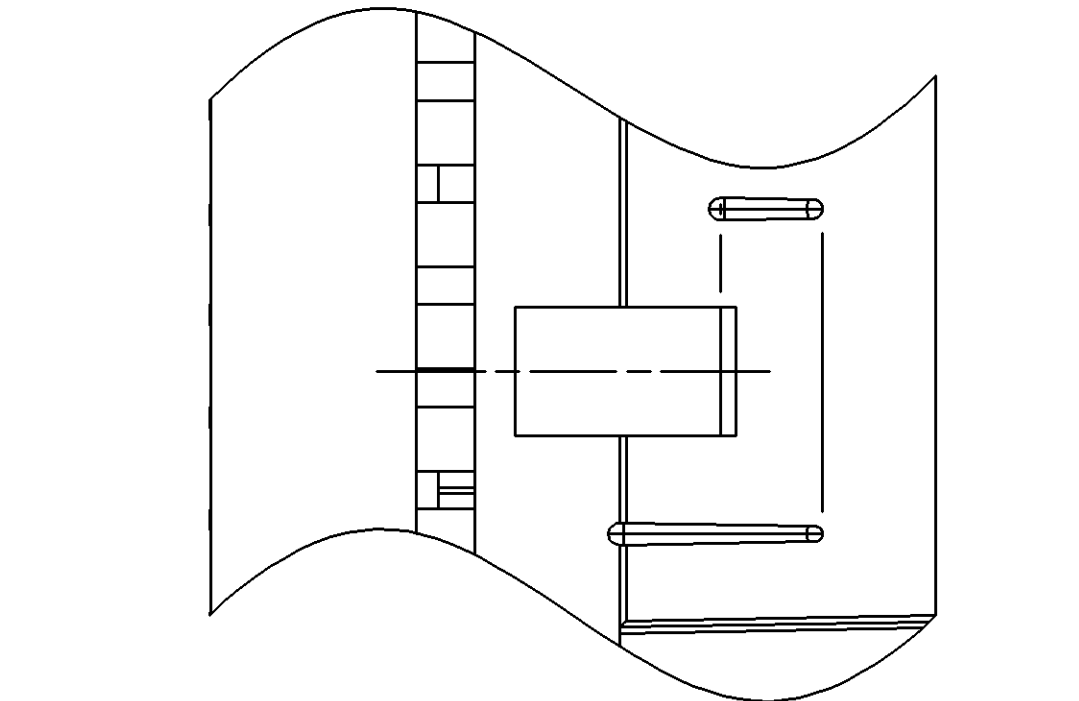
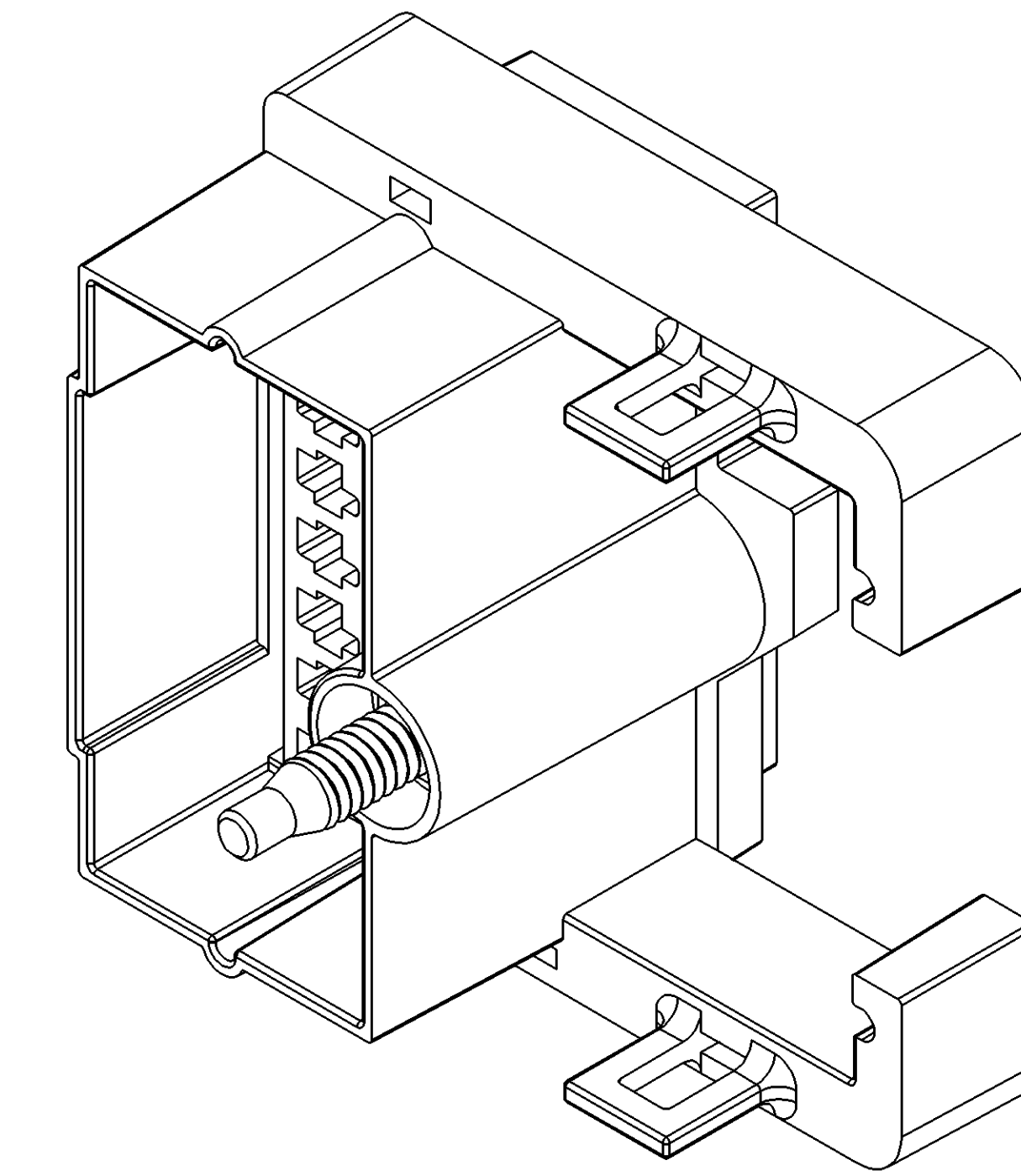
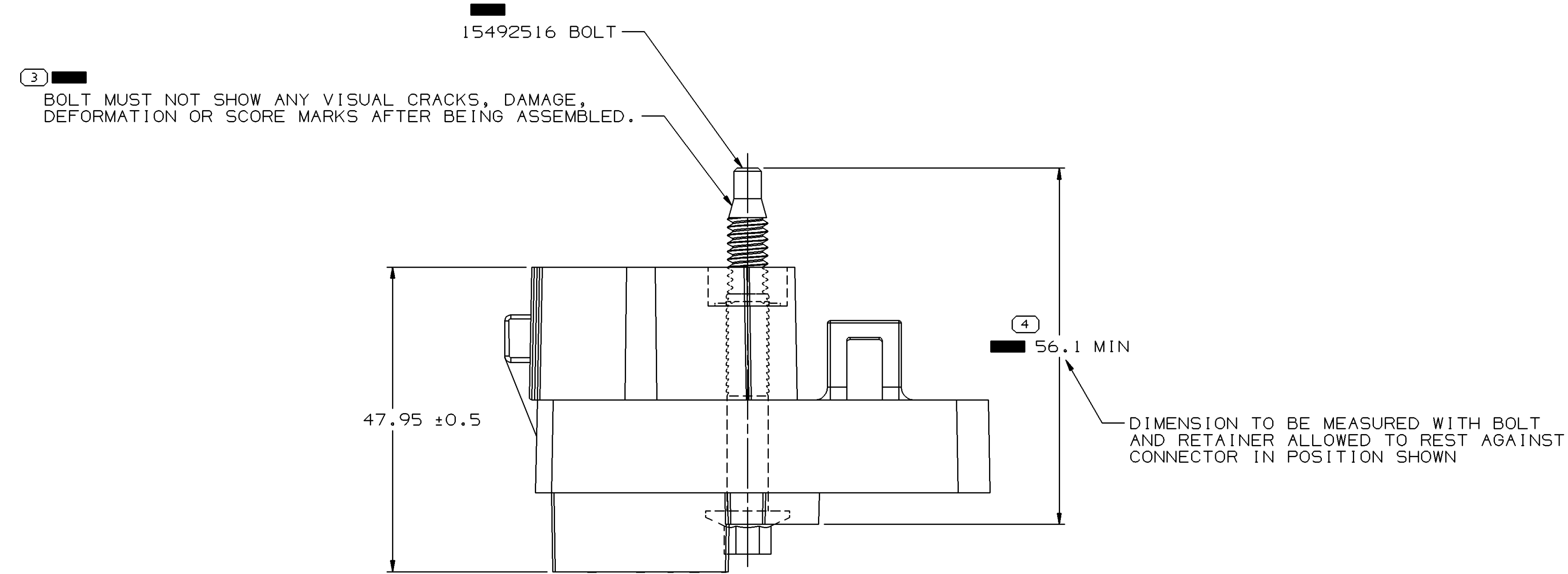
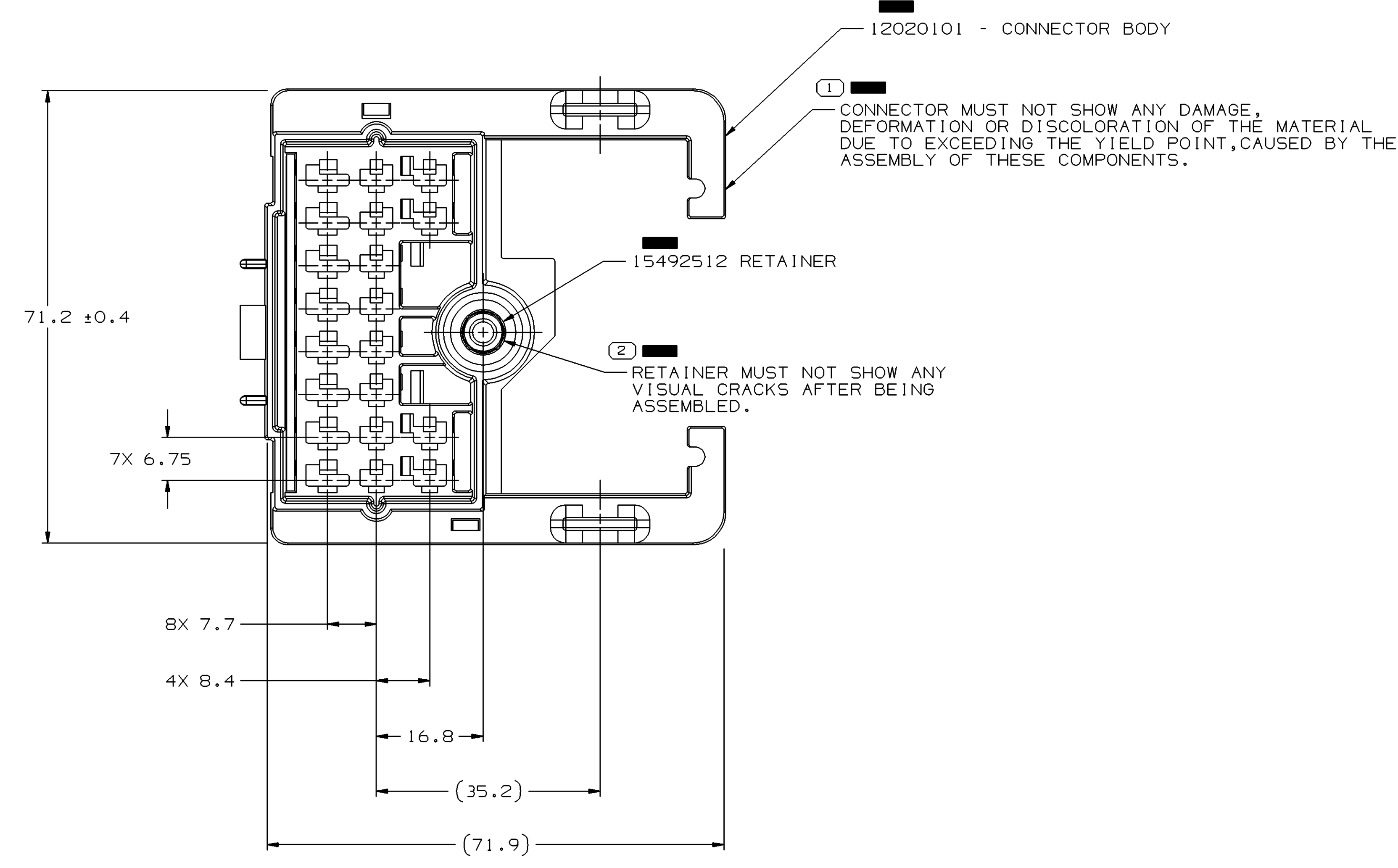


SYMBOL DEFINITION		MISSING SYMBOLS		DATE				REVISED				ZONE				REVISION HISTORY				AUTH		DR		APVD	
A DIMENSION WITHOUT AN INSPECTION REPORT SYMBOL DOES NOT REQUIRE INSPECTION. IT MAY BE CONTROLLED ON THE INDIVIDUAL COMPONENT DRAWING.		TOTAL NO OF INSPECTIONS REQUIRED	NO MISSING SYMBOL NUMBER	DATE	STG	REV	N/P	CHO	RELEASED								255661		GFS		FRG		MGR		
			4	25MY04	R	01	-	-																	
		LAST NO. USED	4																						



- NOTES
- UNLESS OTHERWISE SPECIFIED AND/OR INDICATED: DIMENSIONS ARE TO FACE OF VIEW SHOWN AND AUTOMATICALLY ROUNDED BY COMPUTER FOR INSPECTION (SEE MATH MODEL FOR PRECISE DIMENSIONS). FOR ALL OTHER DIMENSIONS NOT SHOWN BUT REQUIRED FOR TOOL BUILD, SEE MATH MODEL FOR PRECISE TOOL PATH DATA.
  - SEALING CODE 0 - UNSEALED
  - THIS PART ACCEPTS THE FOLLOWING COMPONENTS OR EQUIVALENT: CAVITIES A1,B1,C1,D1,E1,F1,G1 & H1 TO ACCEPT 12020125 TERMINAL OR EQUIVALENT. REMAINING CAVITIES TO ACCEPT 12020119 TERMINAL OR EQUIVALENT. SECONDARY LOCK 12020104
  - THIS ASSEMBLY TO BE BOLTED TO 12020184 CONN BODY ASM WITH A TORQUE ON THE BOLT OF 5.6 TO 7.9N\*(50 TO 70 IN LBS)
  - THIS PART IS NOT CONTROLLED FOR AUTOMATIC FEEDING.
  - DO NOT OVER TORQUE OR RETORQUE AFTER INITIAL TORQUE TO SPECIFIED VALUE BECAUSE CONNECTOR DAMAGE WILL OCCUR.
  - DIMENSIONS INDICATED BY "■" ARE CONTROLLED FOR THE COMPONENT ASSEMBLY. ALL OTHER DIMENSIONS ARE CONTROLLED BY THE INDIVIDUAL COMPONENT DRAWING.
  - CONNECTOR ASSEMBLY ACCEPTS WIRE DRESS COVER 12020170 OR EQUIVALENT.

DIMENSIONAL RANGE (MM)		CHART ET		THIRD ANGLE PROJECTION		DO NOT SCALE		
FROM	TO	SCALE	CHARACTER	SYMBOL	USE MATH DATA	UNSCALED	UNSCALED	
> 0	> 20	> 30	> 70	> 100	> 150	> 200	> 250	> 300
10, 15	±0.2	±0.3	±0.4	±0.5	±0.6	±0.8	±1	±1.2
TOLERANCE UNLESS OTHERWISE SPECIFIED				ANGULAR TOLERANCE ±2°				

**DELPHI**  
DELPHI PACKARD ELECTRIC SYSTEMS  
WARREN, OH

DR	DATE
APVD1 PATRICIA SANCHEZ	06JL04
APVD2 FCO, RESENDIZ	09JL04
APVD3 M. ROUSSEL	23AU04
APVD4	
APVD5	

SUBSTANCES OF CONCERN AND RECYCLED CONTENT PER DELPHI 10949001

MATERIAL SEC DRAWING

DRAWING NAME  
ASM CONN 20 M M/P 480 630

DRAWING NUMBER  
15492523

SIZE AO SCALE 2:1 FRAME NO 1 OF 2 SHEET NO 1 OF 1 REV 01

## X-ON Electronics

Largest Supplier of Electrical and Electronic Components

*Click to view similar products for [Automotive Connectors](#) category:*

*Click to view products by [APTIV](#) manufacturer:*

Other Similar products are found below :

[003-018-000](#) [60993906-B](#) [M902-2131](#) [M902-2161](#) [M902-2344](#) [72.330.1035.1](#) [73.353.4028.0](#) [F166900](#) [F358300-B](#) [F407400](#) [776880-1](#)  
[827153-1](#) [8N1515-32-24P](#) [9-1326729-8](#) [925474-1](#) [928905-1](#) [964562-4](#) [968782-1](#) [98891-1012](#) [12004475-L](#) [12020308](#) [12041318-B](#)  
[12052466](#) [12064869](#) [12015909](#) [1-21030-1](#) [12041254](#) [12041318](#) [12047946-B](#) [12110546-B](#) [12131792](#) [12084688](#) [12092346](#) [HD34-18-14PT](#)  
[HD46-24-23SN-059](#) [HDB36-24-16PN-059](#) [HDP26-24-9SE-L015](#) [12185280](#) [12185550](#) [12336-12](#) [12191172-B](#) [12S](#) [13545280](#) [13577943](#)  
[13681974](#) [13737722-B](#) [13830674](#) [13832576](#) [13849772](#) [13542772](#)