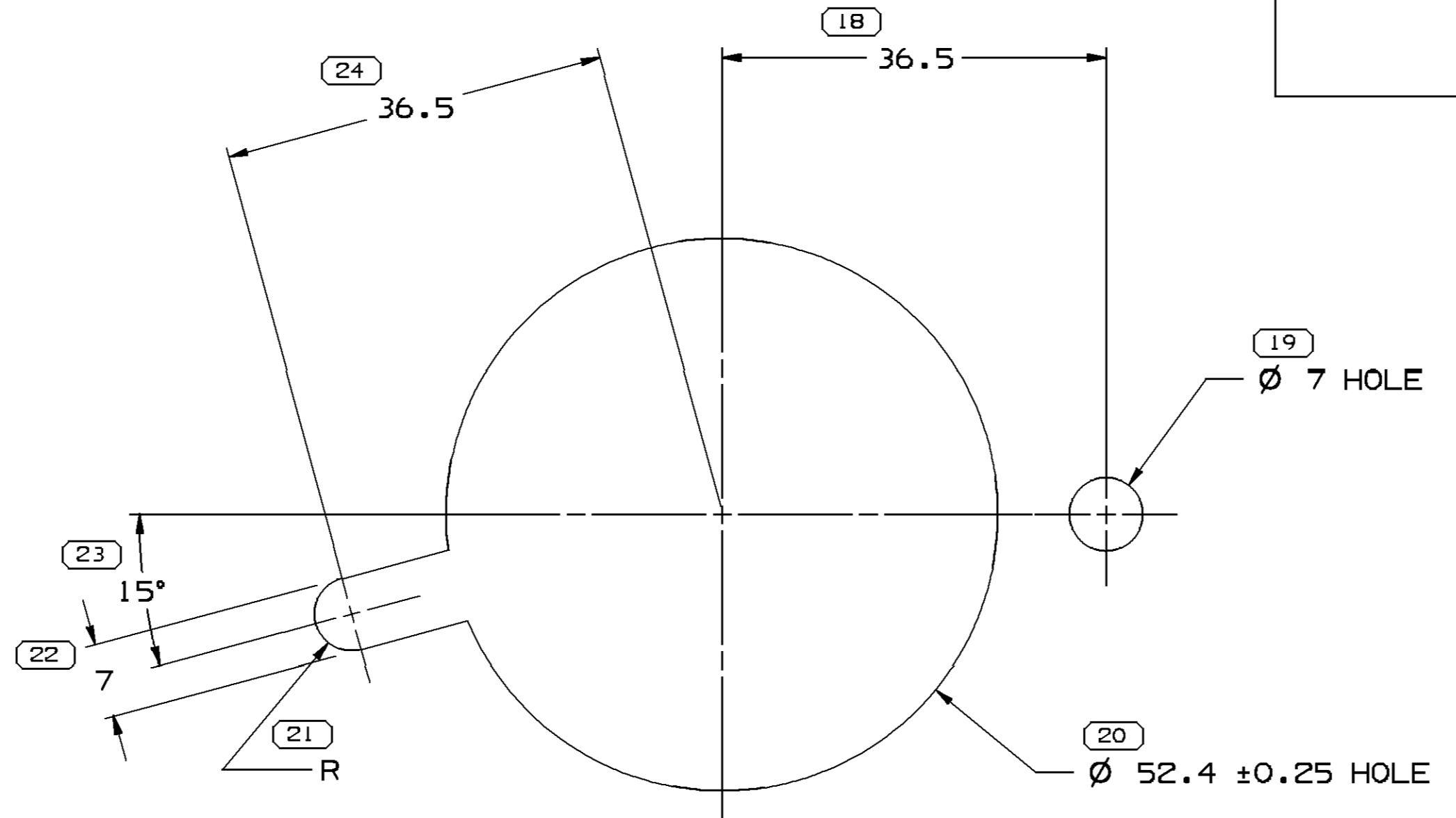
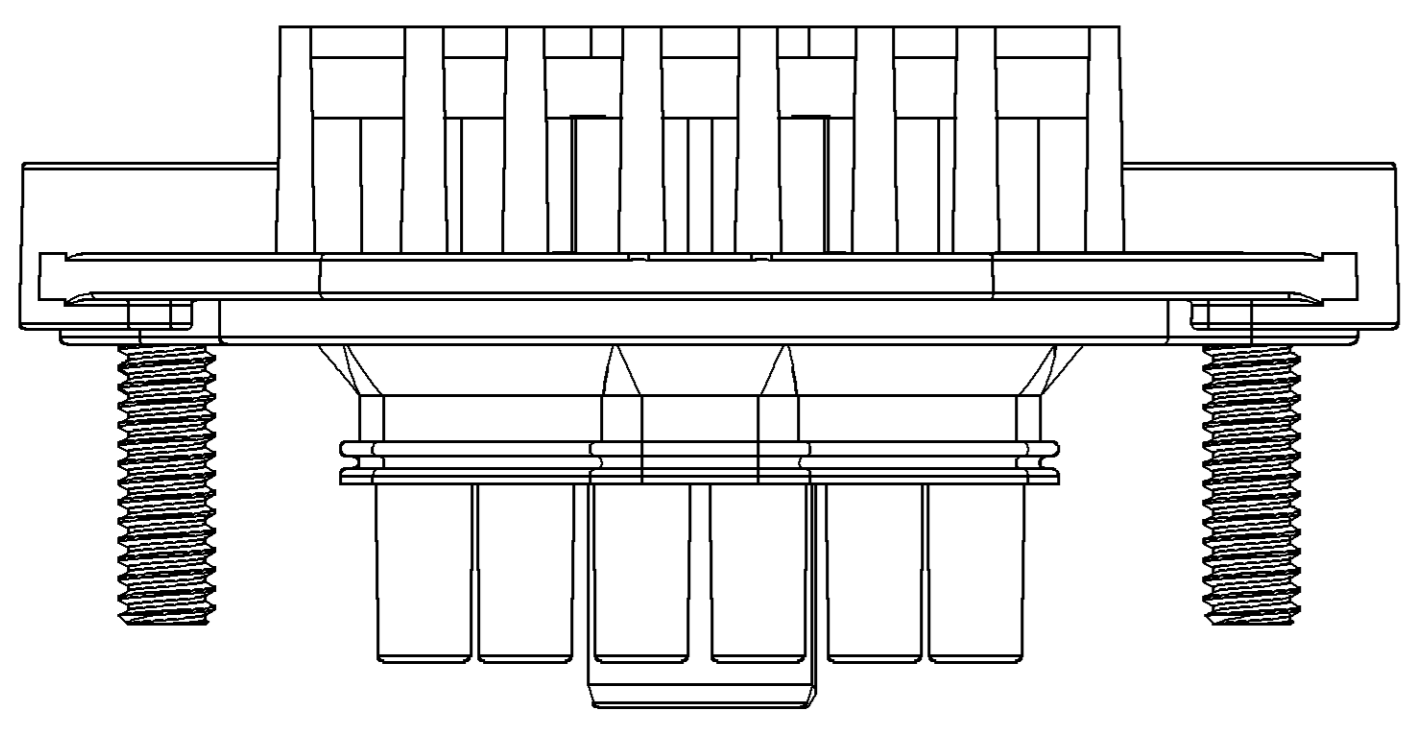
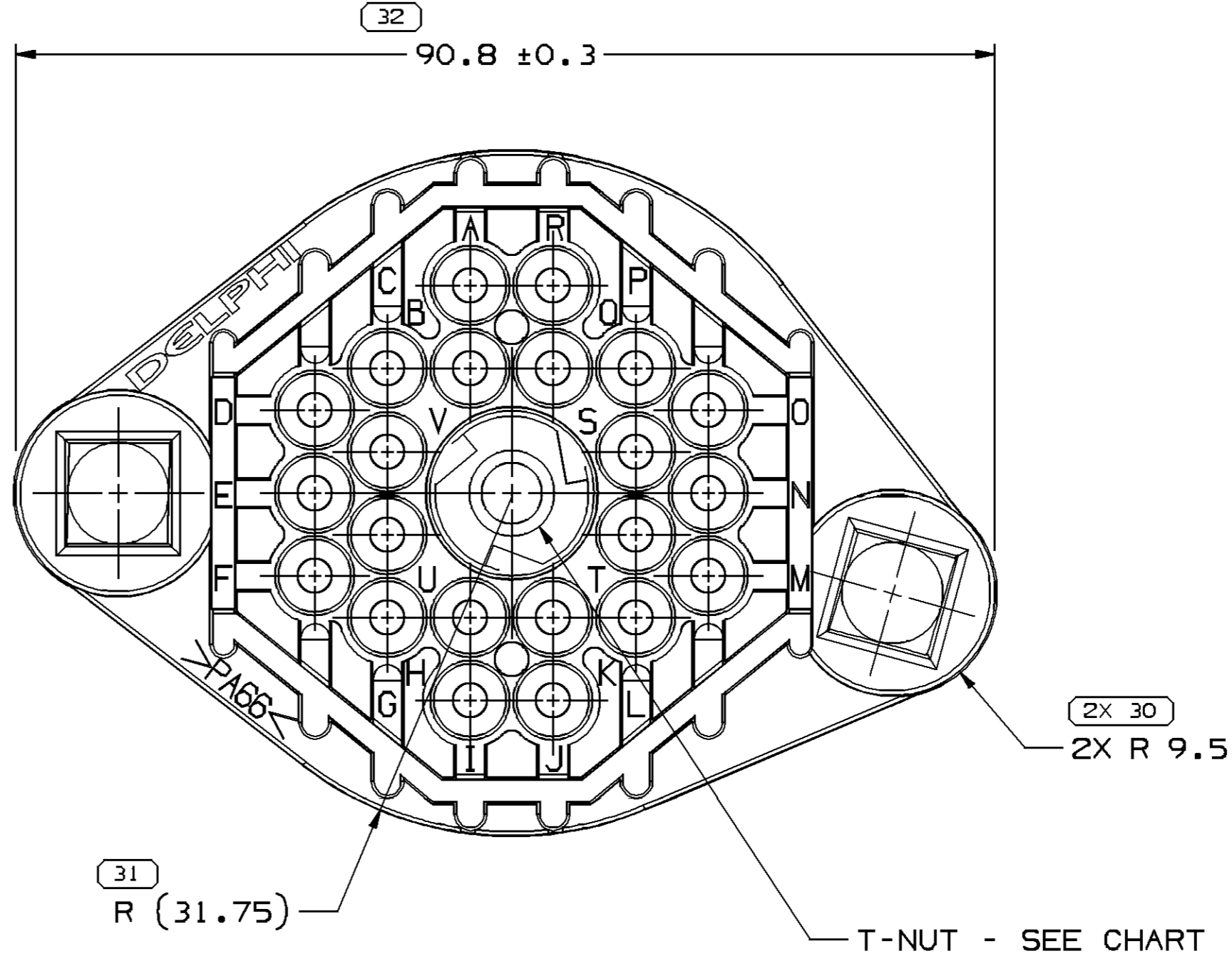
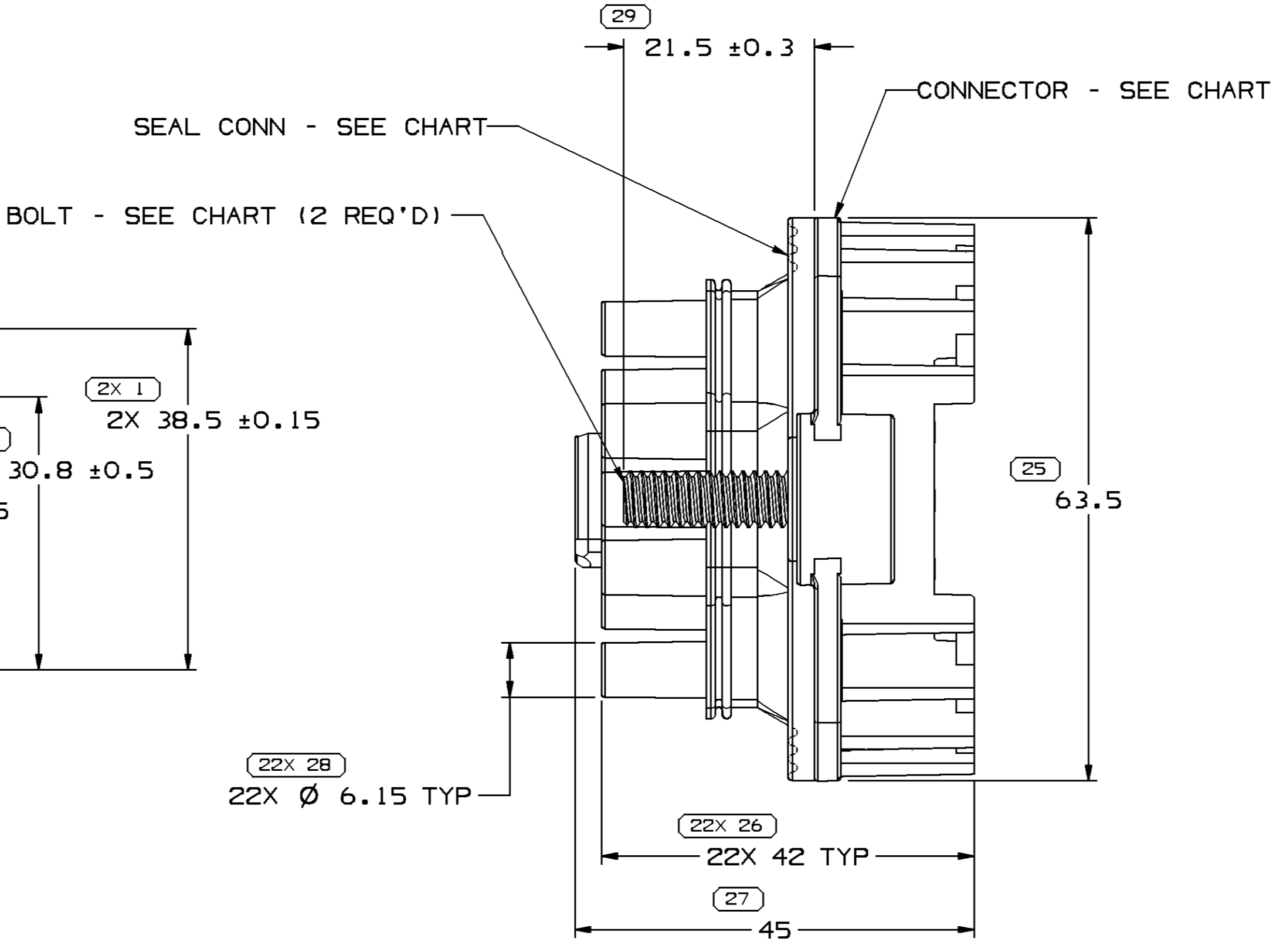
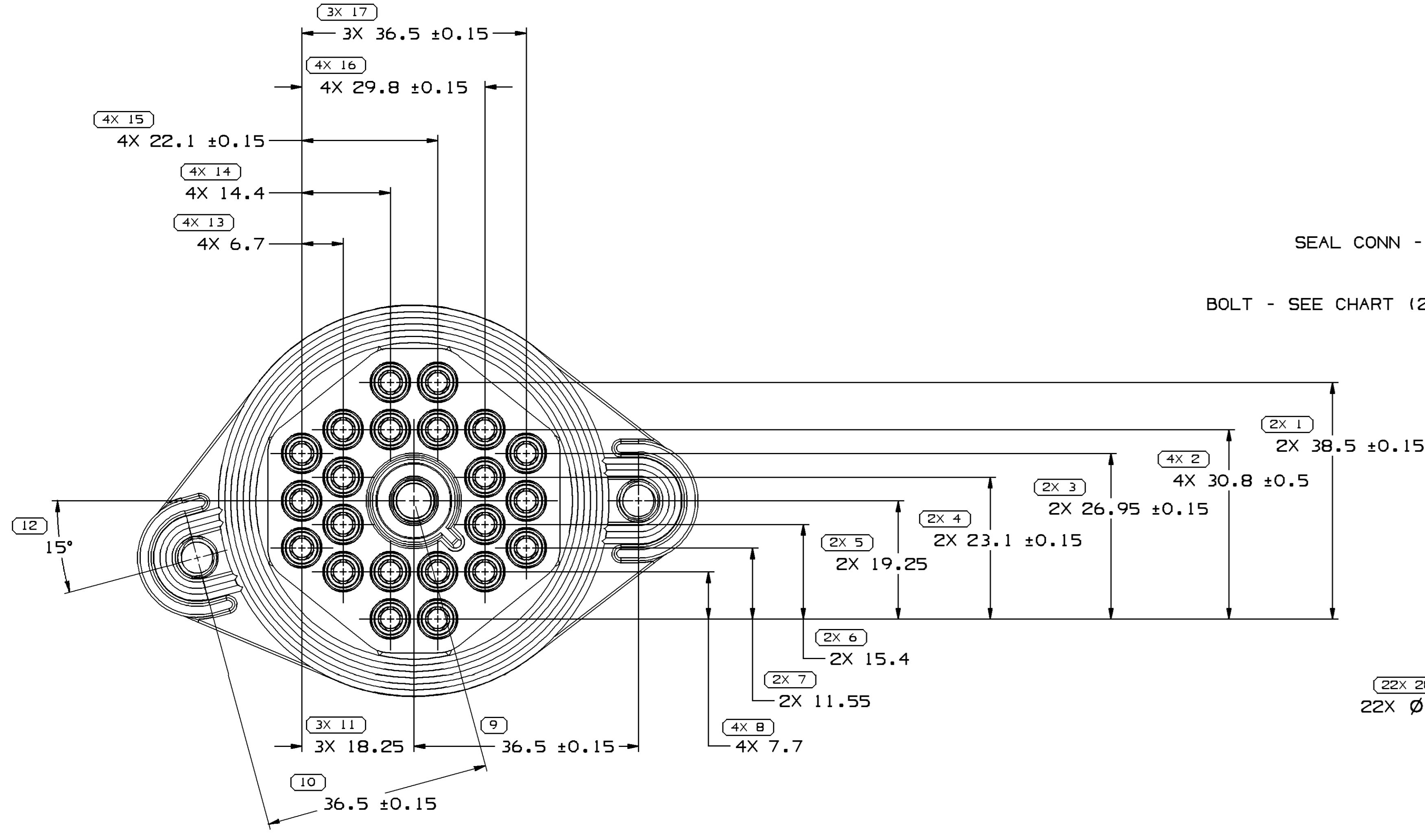
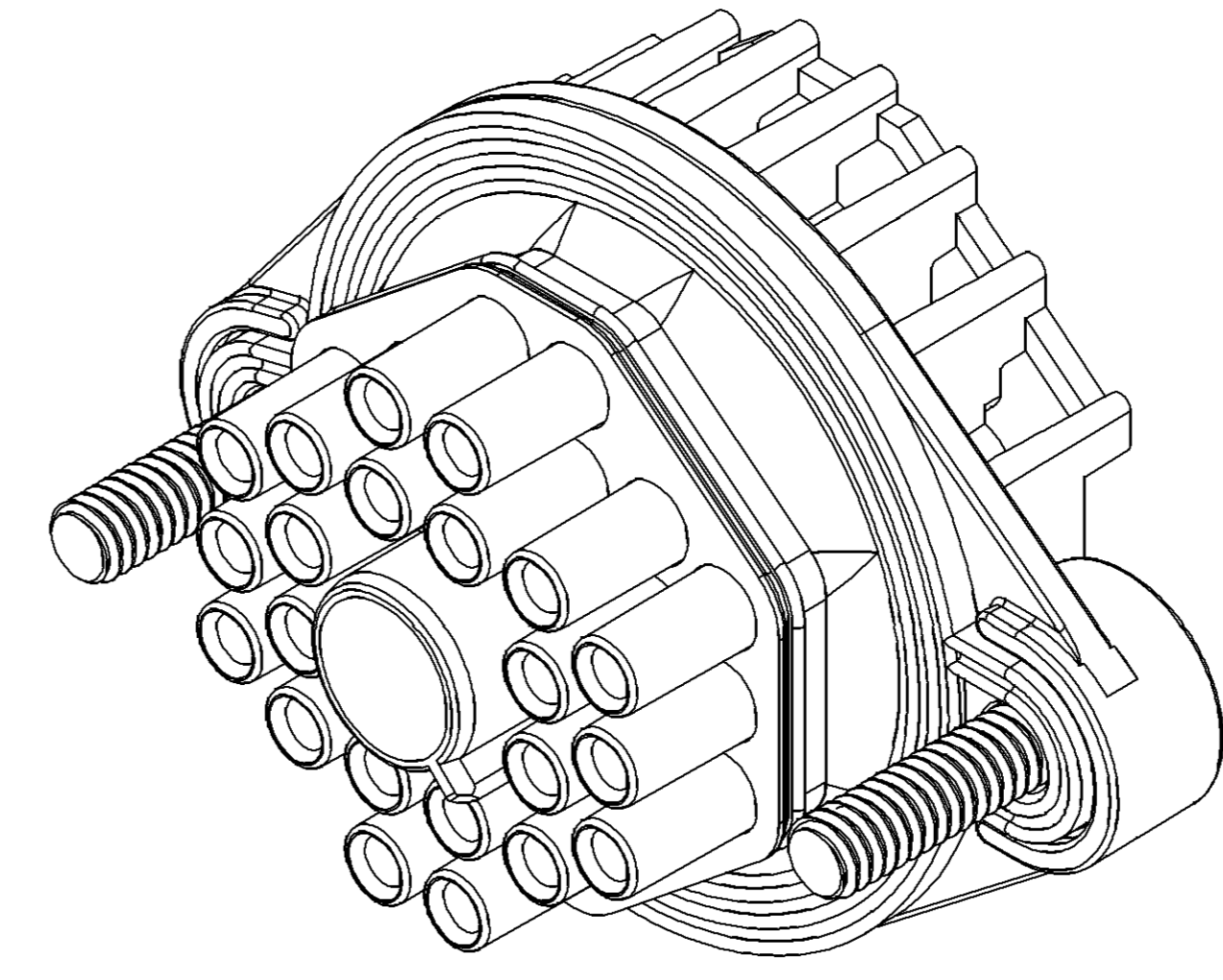


SYMBOL DEFINITION		TOTAL NO OF INSPECTIONS REQUIRED	MISSING SYMBOLS
A DIMENSION WITHOUT AN INSPECTION REPORT SYMBOL DOES NOT REQUIRE INSPECTION. IT MAY BE CONTROLLED ON THE INDIVIDUAL COMPONENT DRAWING.		103	NO MISSING SYMBOL NUMBER
		LAST NO. USED	32

DWS STATUS				REVISION HISTORY				AUTH		DR		APVD	
DATE	STG	REV	N/P	CHG	ZONE								
25MY04	R	01	-	-		CLEARED REV COLUMN AND REDRAWN TO PD; 12020991 & 12089077 - RESTRICTED; 15492531 & 15492584 - RELEASED	255769	JBD	JAA	MGR			
18OC05	R	02	-	-		12089077 - OBSOLETE	273276	JTV	AUG	MGR			
03NO05	R	03	-	-		12020991 - OBSOLETE	273752	CCV	JVM	MGR			
23MY06	R	04	-	-		15492531 AND 15492584 - UPDATED PDM ATTRIBUTES	280589	JTZ	JAA	WTM			
05DE06	R	05	-	-		15492584 & 15492531 - COLOR REMOVED FROM CHART	287527	RJD	RJD	TM			
13JN12	R	06	-	-		15492531 & 15492584 - ADDED "TORQUE REQ'D" & "APPLICATION DATA" NOTES	416371	JGM	JVM	DAB			



MOUNTING HOLE
VIEW FROM ENGINE COMPARTMENT
INSPECTION SYMBOLS SHOWN IN THIS VIEW ARE FOR REFERENCE ONLY



NOTES

- UNLESS OTHERWISE SPECIFIED AND/OR INDICATED:
DIMENSIONS ARE TO FACE OF VIEW SHOWN AND AUTOMATICALLY ROUNDED BY COMPUTER FOR INSPECTION (SEE MATH MODEL FOR PRECISE DIMENSIONS). FOR ALL OTHER DIMENSIONS NOT SHOWN BUT REQUIRED FOR TOOL BUILD, SEE MATH MODEL FOR PRECISE TOOL PATH DATA.
- NUT MUST NOT ROTATE IN CONNECTOR BODY WHEN ASSEMBLED WITH MATING CONNECTOR USING A TORQUE OF 13.6 NEWTON-METERS.
- MATING CONNECTOR ASSEMBLY - SEE CHART.
- PUSH OUT OF BOLTS FROM CONNECTOR TO BE 53 NEWTONS MIN.
- SEALING CODE 3 - DESIGN WILL PASS SALT FOG AND IMMERSION TEST AFTER CONDITIONING AS SPECIFIED IN ESA-644 (WEATHER-PACK), ESA-710 (METRI-PACK), ESA-650 (UNDERHOOD MICRO-PACK), C-4006 (WORLD CONNECTOR), ETC WHEN MATED TO MATING PART OR EQUIVALENT
- THE T-NUT MUST WITHSTAND A MINIMUM PUSH OUT FORCE OF 980 NEWTONS (220 POUNDS).
- THIS PRODUCT IS NOT CATEGORIZED AS AN APPEARANCE ITEM, MINOR IMPERFECTIONS INCLUDING, BUT NOT LIMITED TO, FLOW MARKS, COLOR BLEMISHES, GATE VESTIGE, AND SOFT FLASH THAT DO NOT AFFECT THE FIT, FORM, OR FUNCTION OF THE PART ARE PERMISSIBLE PER DPNP-4.7-CS-01.
- T-NUT 15492503 MUST WITHSTAND A TORQUE OF 11.3 NM W/O SHEARING. IF FUTURE CONNECTOR ASSEMBLIES USING THIS COMPONENT REQUIRE AN ASSEMBLY TORQUE OF OVER 11.3 NM TESTING SHOULD BE PERFORMED TO VERIFY THE INTEGRITY OF CONNECTOR ASSEMBLY. A DESIGN CHANGE MAY BE REQUIRED TO MEET A TORQUE VALUE OF OVER 11.3 NM.
- FOR APPLICATION DATA SEE THE INDIVIDUAL APPLICATION DRAWINGS.

PART NO	REV	N/P	CONN	BOLT	T-NUT	SEAL CONN	MATING CONNECTOR
15492584	01	AC	12089076	15492507	15492503	12010851	12077378
15492531	01	AC	12020985	15492507	15492503	12010851	12020005
12089077	A2	-	12089076	08917392	06288940	12010851	12077378
12020991	A2	-	12020985	08917392	06288940	12010851	12020005

DIMENSIONAL RANGE (MM)	CHART SET	THIRD ANGLE PROJECTION	DO NOT SCALE
FROM > 0	> 30		
TO > 20	> 30		
> 30	> 70		
> 70	> 100		
> 100	> 150		
> 150	> 200		
> 200	> 250		
> 250	> 300		
> 300	> 400		
TOLERANCE UNLESS OTHERWISE SPECIFIED			
±0.15 ±0.2 ±0.3 ±0.4 ±0.5 ±0.6 ±0.8 ±1 ±1.2			
ANGULAR TOLERANCE 12°			

DELPHI
DELPHI PACKARD ELECTRICAL/ELECTRONIC ARCHITECTURE
WARREN, OH
COPYRIGHT 1988 DELPHI CORPORATION AND/OR ITS AFFILIATES. ALL RIGHTS RESERVED.
THIS DRAWING IS THE PROPERTY OF DELPHI CORPORATION. THE REPRODUCTION, DISTRIBUTION AND UTILIZATION OF THIS DOCUMENT OR ITS RELATED CAD DATA AS WELL AS COMMUNICATION OF ANY CONTENT TO OTHERS, WITHOUT EXPRESS AUTHORIZATION IS PROHIBITED.

DATE: _____
DR: J. HOUJELMAN
APV02: F. HESTON
APV03: R. G. C.
APV04: _____
APV05: _____

SUBSTANCE OF CONCERN AND RECYCLED CONTENT: PER DELPHI (944900)

DRAWING NAME: TAXI ASM CONN F W/P TWR SLD
DRAWING NUMBER: 12089253
SIZE: A0
SCALE: 2:1
FRAME NO: 1 OF 1
SHEET NO: 1 OF 1
STG: R
REV: 06

X-ON Electronics

Largest Supplier of Electrical and Electronic Components

Click to view similar products for [Automotive Connectors](#) category:

Click to view products by [APTIV](#) manufacturer:

Other Similar products are found below :

[003-018-000](#) [60403001](#) [60993906-B](#) [629515004020001](#) [M902-2131](#) [M902-2161](#) [72.330.1035.1](#) [73.353.4028.0](#) [F119300-B](#) [F166900](#)
[F258300-B](#) [F358300-B](#) [F407400](#) [F444110](#) [F487000](#) [F509500B-B](#) [827153-1](#) [8N1515-32-24P](#) [9-1326729-8](#) [925474-1](#) [928905-1](#) [964562-4](#)
[968782-1](#) [GT17SA-8DS-HU](#) [98891-1012](#) [98947-1016](#) [12004475-L](#) [12010290](#) [12010309-B](#) [12015454](#) [12020219-B](#) [12020308](#) [12041318-B](#)
[12052225-L](#) [12052466](#) [12059125](#) [12064869](#) [12004327-B](#) [12010503-B](#) [12015308](#) [12015384](#) [12015909](#) [1-21030-1](#) [12041254](#) [12041318](#)
[12047946-B](#) [12047957](#) [12047957-L](#) [12059473](#) [12066261](#)