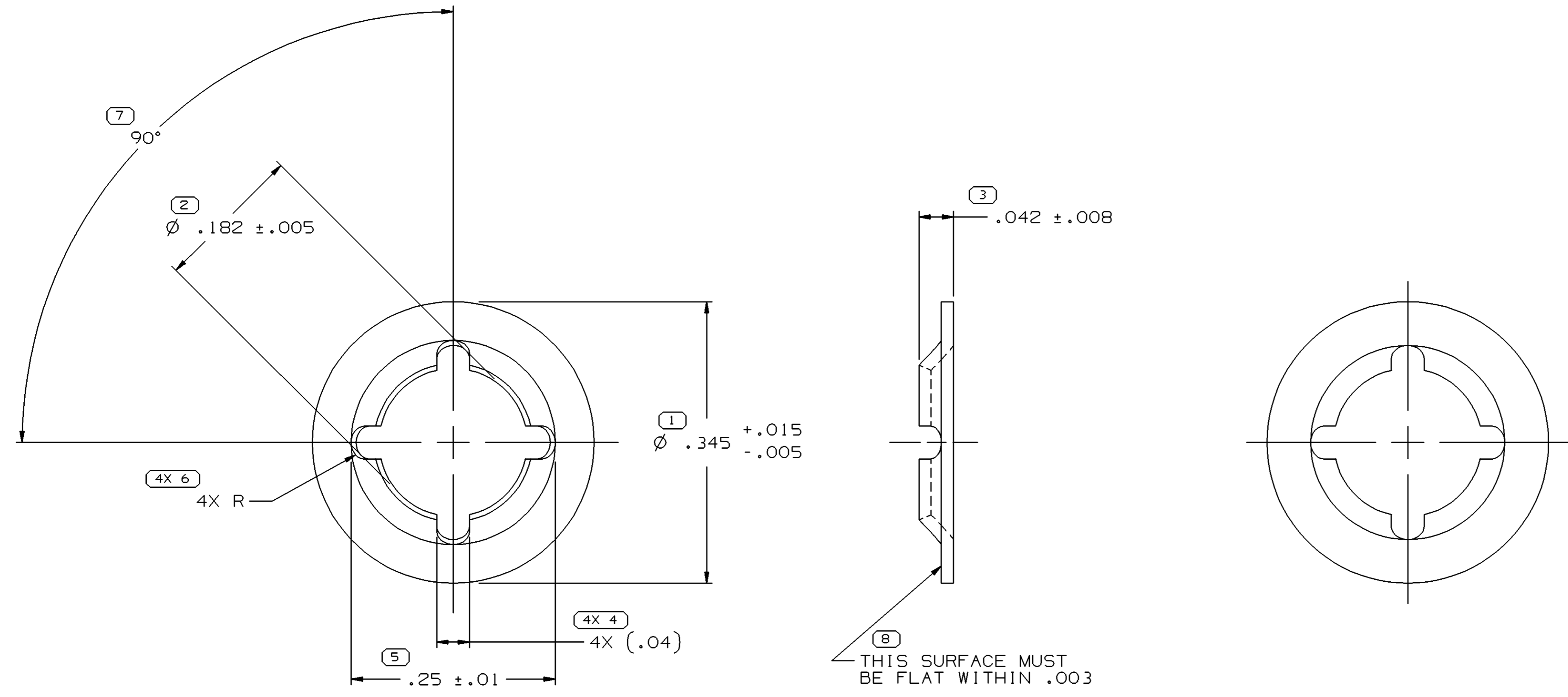


SYMBOL DEFINITION		TOTAL NO OF INSPECTIONS REQUIRED	
A DIMENSION WITHOUT AN INSPECTION REPORT SYMBOL () DOES NOT REQUIRE INSPECTION. IT MAY BE CONTROLLED ON THE INDIVIDUAL COMPONENT DRAWING.	()	14	
		8	

MISSING SYMBOLS		NO MISSING SYMBOL NUMBER	

DWG STATUS					ZONE	REVISION HISTORY	AUTH	DR	APVD1	APVD2
DATE	STG	REV	N/P	CHG						
22MR04	R	01	-	-		ALL PARTS - REDRAWN TO PD AND UPDATED NOTES.	252918	CTR	JAA	MGR
11MY04	R	02	-	-		15492535 - RELEASED	255221	CTR	FRG	MGR
04AU04	R	03	-	-		UPDATED NOTE #4	257695	LMB	LMB	MR
060C04	R	04	-	-		UPDATED NOTES 2 & 5, REVISED TOLERANCE ON DIM 2 AND ADDED DIMS 4-B. ELIMINATED TOD.	259939	MJM	MJM	MR
110C05	R	05	-	-		12034236 - OBSOLETE	273210	JTZ	JAA	MGR



- NOTES
- UNLESS OTHERWISE SPECIFIED AND/OR INDICATED: DIMENSIONS ARE TO FACE OF VIEW SHOWN AND AUTOMATICALLY ROUNDED BY COMPUTER FOR INSPECTION (SEE MATH MODEL FOR PRECISE DIMENSIONS). FOR ALL OTHER DIMENSIONS NOT SHOWN BUT REQUIRED FOR TOOL BUILD, SEE MATH MODEL FOR PRECISE TOOL PATH DATA.
 - MATERIAL - AISI 1055 BAINITE STRUCTURE: ROCKWELL HARDNESS C45-35, TENSILE 168,000 PSI. OPTIONAL MATERIAL - AISI 1070.
 - ZINC PLATE .00015 TO .00030
 - PLATED PER DX551611-P.
 - PARTS MUST BE FREE OF RUST AND OILY GRIT ONLY.

VIEW SCALE DOES NOT REFLECT ACTUAL PART SIZE

PART NO	REV	N/P	STATUS	MAT'L SIZE	MAT'L SPEC	PROCESS NOTES	PART NO	REV	N/P	STATUS	PROCESS NOTES
-	-	-	-	.015 THK	SEE NOTE 2	2	15492535	02	AA	-	4,5
12103414	A2	-	-	.015 THK	SEE NOTE 2	2	12034236	B3	-	OBSOLETE	3,5
				UNPLATED						PLATED	

()	PROCESS SENSITIVE DIMENSION	
()	DIMENSIONS ENCLOSED IN () INDICATE REFERENCE DIMENSIONS AND NO TOLERANCE LIMITS ARE ESTABLISHED	
FROM	TO	CHART
0	.500	>.500
TOLERANCE UNLESS OTHERWISE SPECIFIED		
±.005 ±.010		
ANGULAR TOLERANCE ±2°		

DWG TYPE PART DRAWING	
STYLE	
VOLUME (CM ³)	DISTR CODE D
UNLESS OTHERWISE SPECIFIED THIS DOCUMENT IS IN ACCORDANCE WITH ASME Y14.5M-1994 AS AMENDED BY THE GM GLOBAL DIMENSIONING AND TOLERANCING ADDENDUM-2001. SEPARATE PATTERNS OF FEATURES MAY BE GAGED SEPARATELY REGARDLESS OF DATUM REFERENCES.	
ALL DIMENSIONS ARE IN INCHES	
THIRD ANGLE PROJECTION	DO NOT SCALE
USE MATH DATA	UNIGRAPHICS

DELPHI
DELPHI PACKARD ELECTRIC SYSTEMS
WARREN, OH

DR	DATE
APVD1 CESAR TAPIA R.	22MR04
APVD2 J.S. ALVARADO	23MR04
APVD3 ROUSSEL MATTHEW	25MR04
APVD4	
APVD5	

SUBSTANCES OF CONCERN AND RECYCLED CONTENT PER DELPHI 10949001

MATERIAL SEE CHART

DRAWING NAME
TAXI LOCK RETAINER

DRAWING NUMBER
12103415

SIZE	SCALE	FRAME NO	SHEET NO	STG	REV	N/P
A1	10:1	1 OF 1	1 OF 1	R	05	-

X-ON Electronics

Largest Supplier of Electrical and Electronic Components

Click to view similar products for [Automotive Connectors](#) category:

Click to view products by [APTIV](#) manufacturer:

Other Similar products are found below :

[003-018-000](#) [60403001](#) [60993906-B](#) [629515004020001](#) [M902-2131](#) [M902-2161](#) [72.330.1035.1](#) [73.353.4028.0](#) [F119300-B](#) [F166900](#)
[F258300-B](#) [F358300-B](#) [F407400](#) [F444110](#) [F487000](#) [F509500B-B](#) [827153-1](#) [8N1515-32-24P](#) [9-1326729-8](#) [925474-1](#) [928905-1](#) [964562-4](#)
[968782-1](#) [GT17SA-8DS-HU](#) [98891-1012](#) [98947-1016](#) [12004475-L](#) [12010290](#) [12010309-B](#) [12015454](#) [12020219-B](#) [12020308](#) [12041318-B](#)
[12052225-L](#) [12052466](#) [12059125](#) [12064869](#) [12004327-B](#) [12010503-B](#) [12015308](#) [12015384](#) [12015909](#) [1-21030-1](#) [12041254](#) [12041318](#)
[12047946-B](#) [12047957](#) [12047957-L](#) [12059473](#) [12066261](#)