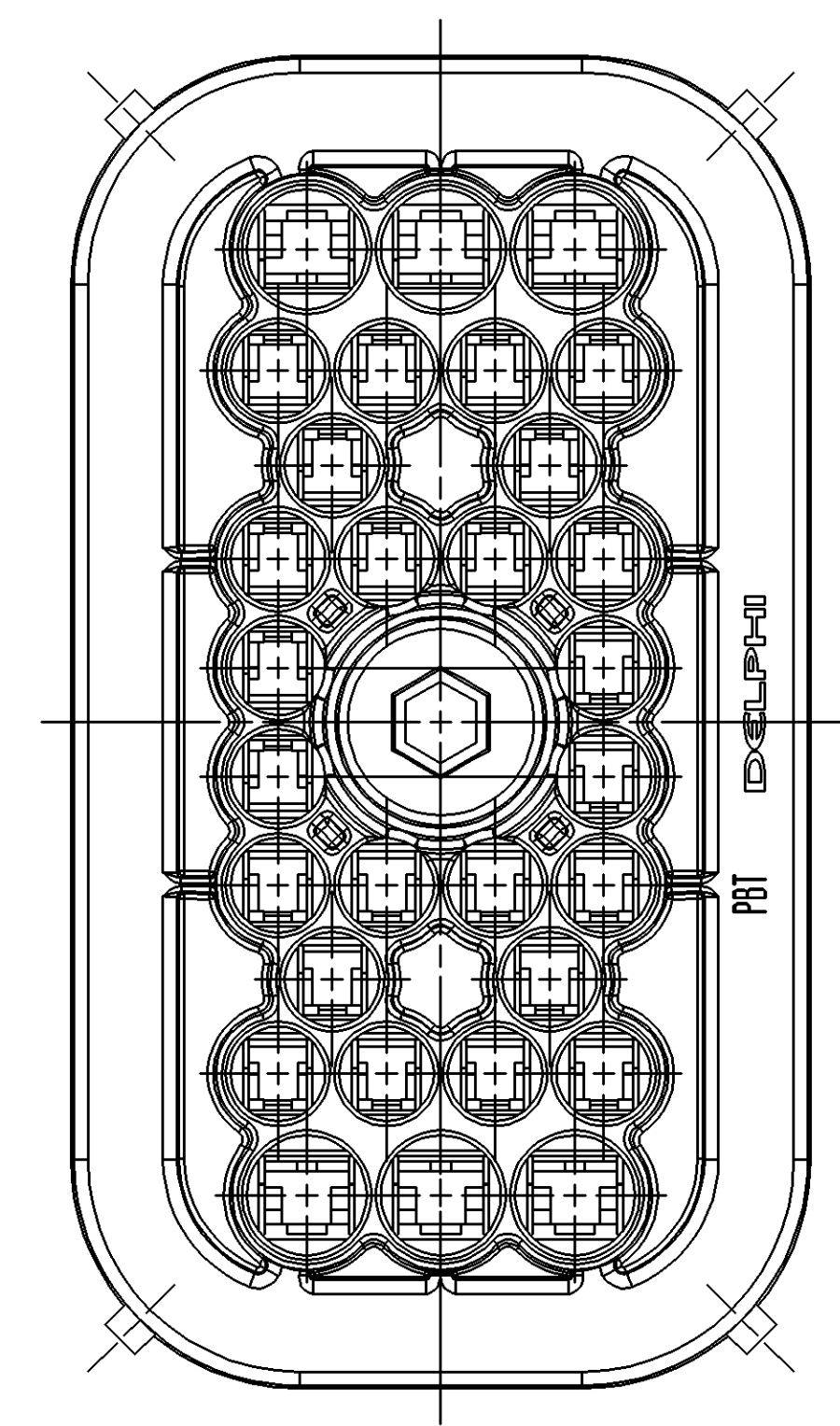
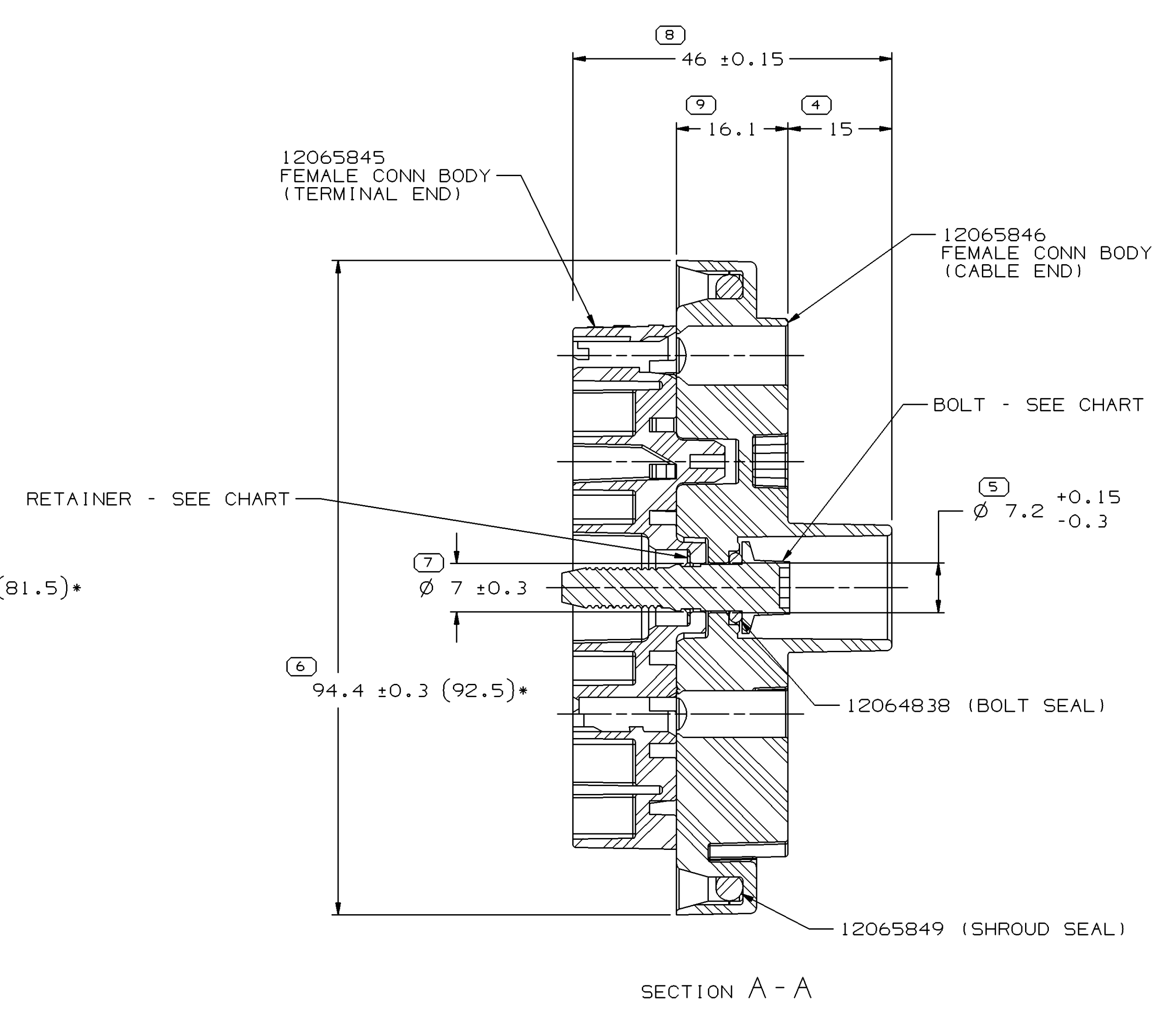
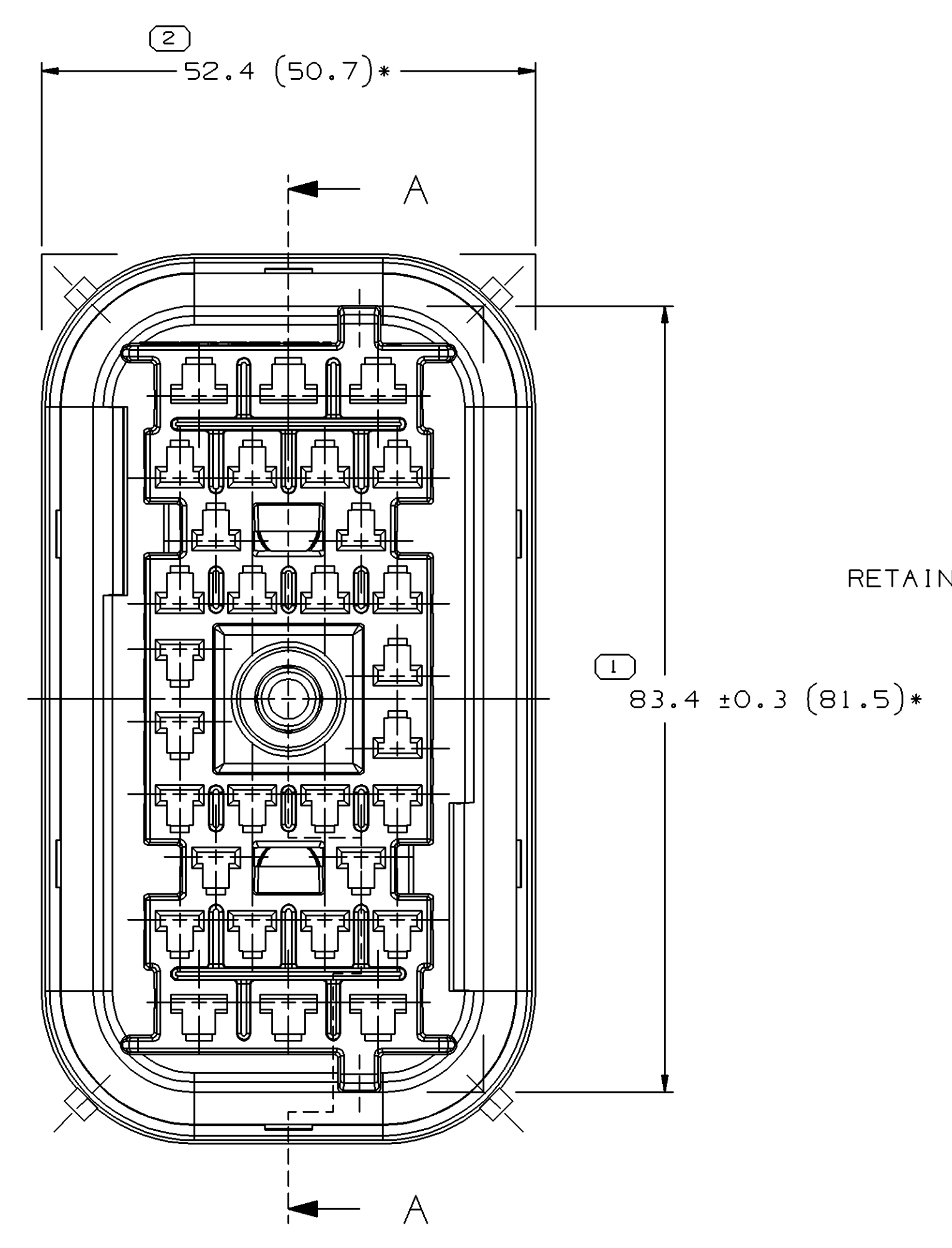
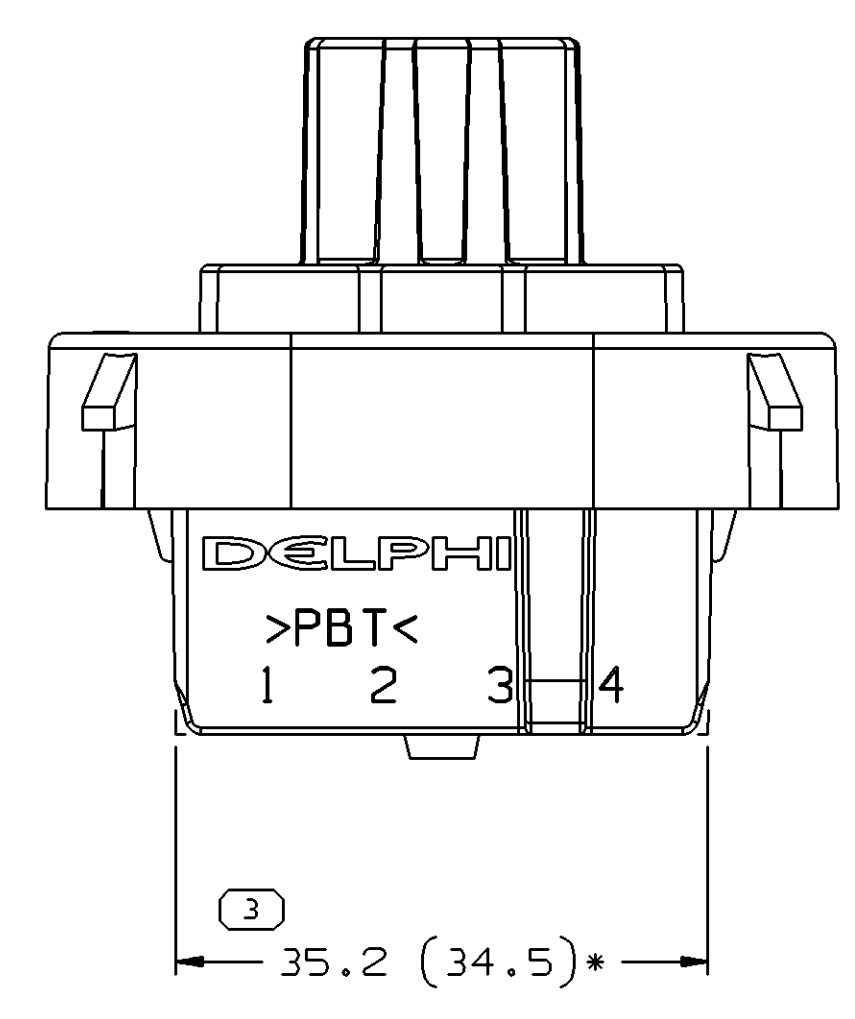


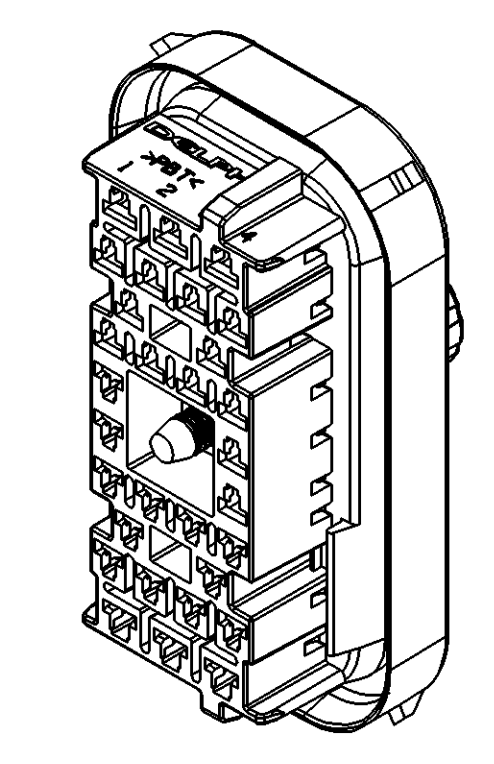
SYMBOL DEFINITION		TOTAL NO OF INSPECTIONS REQUIRED		MISSING SYMBOLS	
A DIMENSION WITHOUT AN INSPECTION REPORT SYMBOL DOES NOT REQUIRE INSPECTION. IT MAY BE CONTROLLED ON THE INDIVIDUAL COMPONENT DRAWING.			9	NO MISSING SYMBOL NUMBER	
		LAST NO. USED	9		

DWO STATUS				REVISION HISTORY				AUTH		APVD			
DATE	STG	REV	N/P	CHG	ZONE								
25MY04	R	01	-	-		CLEARED REV COLUMN AND REDRAWN TO PD: 12065850 & 12186157 - RESTRICTED; 15492567 & 15492630 - RELEASED				255888	JBD	JAA	MGR
07AP05	R	02	-	-		ALL PARTS - REVISED NOTE 5				266596	JFB	JAA	WTM
24OC05	R	03	-	-		12065850 & 12186157 - OBSOLETE				273824	JTZ	JAA	MGR



NOTES

- UNLESS OTHERWISE SPECIFIED AND/OR INDICATED:
DIMENSIONS ARE TO FACE OF VIEW SHOWN AND AUTOMATICALLY ROUNDED BY COMPUTER FOR INSPECTION (SEE MATH MODEL FOR PRECISE DIMENSIONS). FOR ALL OTHER DIMENSIONS NOT SHOWN BUT REQUIRED FOR TOOL BUILD, SEE MATH MODEL FOR PRECISE TOOL PATH DATA.
- THIS ASSEMBLY IS TO BE BOLTED TO 12065844 CONNECTOR WITH A TORQUE ON THE BOLT OF 5.6 NM TO 7.9 NM
- SEALING CODE 3 - DESIGN WILL PASS SALT FOG AND IMMERSION TEST AFTER CONDITIONING AS SPECIFIED IN ESA-644 (WEATHER-PACK), ESA-710 (METRI-PACK), ESA-650 (UNDERHOOD MICRO-PACK), C-4006 (WORLD CONNECTOR), ETC WHEN MATED TO MATING PART OR EQUIVALENT
- THIS PART IS NOT CONTROLLED FOR AUTOMATIC FEEDING.
- THIS PART ACCEPTS THE FOLLOWING COMPONENTS OR EQUIVALENT:
CAVITIES A1,A2,A3,K1,K2 & K3 TO ACCEPT MP480 SERIES TERMINAL 12048450
CAVITIES B1,B2,B3,B4,C1,C4,D1,D2,D3,D4,E1,E4,F1,F4,G1,G2,G3,G4,H1,H4,J1,J2,J3 & J4 TO ACCEPT MP280 SERIES TERMINAL 12129493 OR EQUIVALENT
SECONDARY LOCK COMB 12066050
- THE BOLT IS TO BE FREE TO TURN AFTER ASSEMBLY
- RETAINER MUST WITHSTAND A MINIMUM FORCE OF 890 N APPLIED AXIALLY TO THE THREADED END OF THE BOLT.
- THIS PART MATES WITH TO 12065847 SHROUD
- TERMINAL RETENTION IS TO BE 67 N.
- WHEN PARTS ARE SHIPPED THEY MUST BE PACKED IN PLASTIC LINED CONTAINERS.
- "*" MINIMUM ALLOWABLE DIMENSION DUE TO BOW.



PART NO	REV	N/P	STATUS	BOLT	RETAINER
15492630	01	AA	-	15492629	15492512
15492567	01	AA	-	15492568	15492512
12186157	A4	-	OBSOLETE	12186156	12004737
12065850	B4	-	OBSOLETE	12065852	12004737

DIMENSIONAL RANGE (MM)	CHART	ET
FROM > 0	> 20	> 30
TO 20	30	100
	100	150
	150	200
	200	250
	250	300
	300	400
	TOLERANCE UNLESS OTHERWISE SPECIFIED	
	±0.15	±0.2
	±0.3	±0.4
	±0.5	±0.6
	±0.8	±1
	±1.2	
	ANGULAR TOLERANCE 12°	

DWO TYPE		PART DRAWING	
STYLE		DISTR CODE	D
VOLUME (CM³)			
UNLESS OTHERWISE SPECIFIED			
THIS DOCUMENT IS IN ACCORDANCE WITH ASME Y14.5M-1994 AS MODIFIED BY THE ON-SIGNAL DIMENSIONING AND TOLERANCING ADDENDUM-2003. SEPARATE PATTERNING OF FEATURES MAY BE GIVEN SEPARATELY REGARDLESS OF DATUM REFERENCES.			
ALL DIMENSIONS ARE IN MILLIMETERS			
REFERENCE			

DELPHI
DELPHI PACKARD ELECTRIC SYSTEMS
WARREN, OH

DR	DATE
APVD1 HENRY HOKE	12MY95
APVD2 HENRY HOKE	12MY95
APVD3 M. D. MCEOWEN	12MY95
APVD4	
APVD5	

SUBSTANCES OF CONCERN AND RECYCLED CONTENT PER DELPHI 10949001

MATERIAL SEC. DRAWING

DRAWING NAME
TAXI CONN 30 F M/P 280 480

DRAWING NUMBER
12186159

SIZE A0 SCALE 2:1 FRAME NO 1 OF 2 SHEET NO 1 OF 1 STG REV N/P R 03

X-ON Electronics

Largest Supplier of Electrical and Electronic Components

Click to view similar products for [Automotive Connectors](#) category:

Click to view products by [APTIV](#) manufacturer:

Other Similar products are found below :

[003-018-000](#) [60403001](#) [60993906-B](#) [629515004020001](#) [M902-2131](#) [M902-2161](#) [72.330.1035.1](#) [73.353.4028.0](#) [F119300-B](#) [F166900](#)
[F258300-B](#) [F358300-B](#) [F407400](#) [F444110](#) [F487000](#) [F509500B-B](#) [827153-1](#) [8N1515-32-24P](#) [9-1326729-8](#) [925474-1](#) [928905-1](#) [964562-4](#)
[968782-1](#) [GT17SA-8DS-HU](#) [98891-1012](#) [98947-1016](#) [12004475-L](#) [12010290](#) [12010309-B](#) [12015454](#) [12020219-B](#) [12020308](#) [12041318-B](#)
[12052225-L](#) [12052466](#) [12059125](#) [12064869](#) [12004327-B](#) [12010503-B](#) [12015308](#) [12015384](#) [12015909](#) [1-21030-1](#) [12041254](#) [12041318](#)
[12047946-B](#) [12047957](#) [12047957-L](#) [12059473](#) [12066261](#)