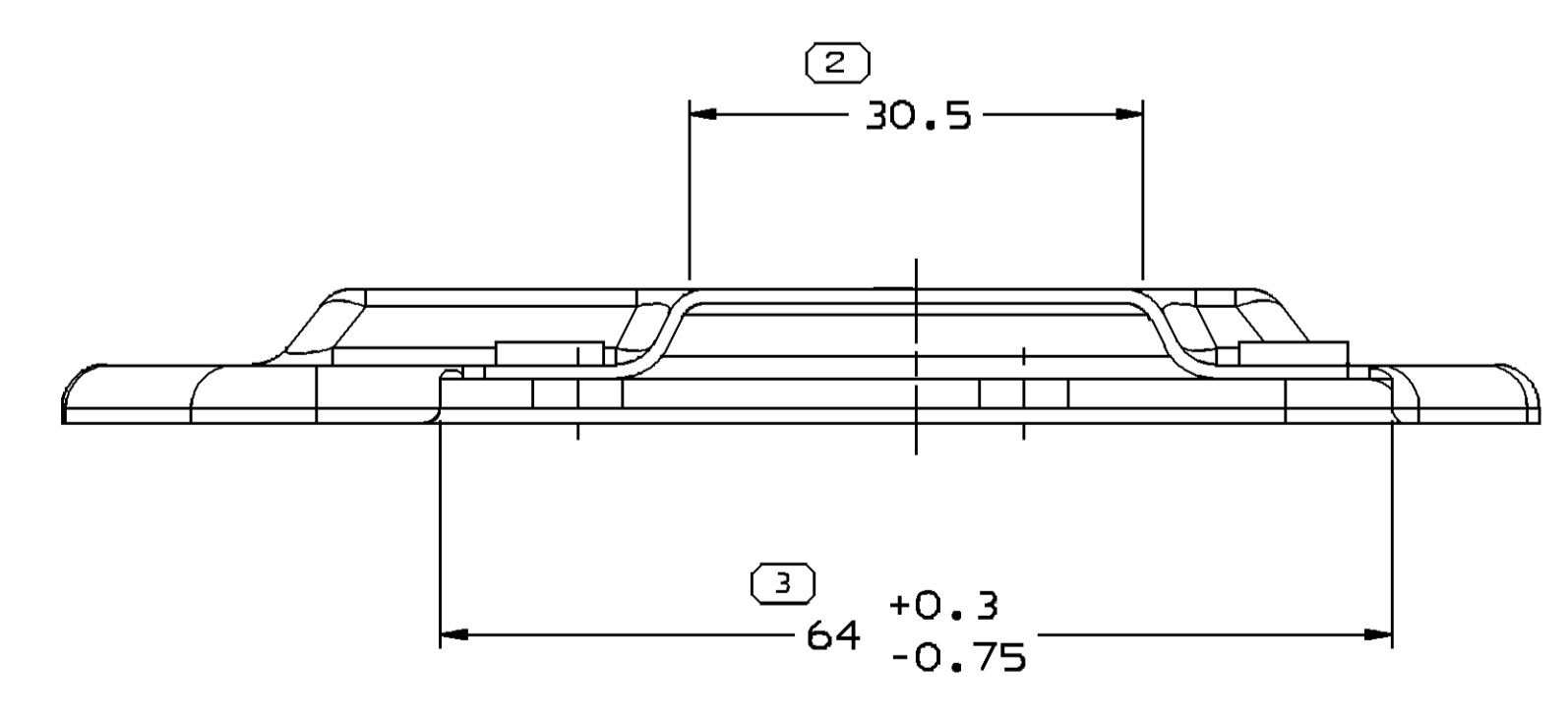
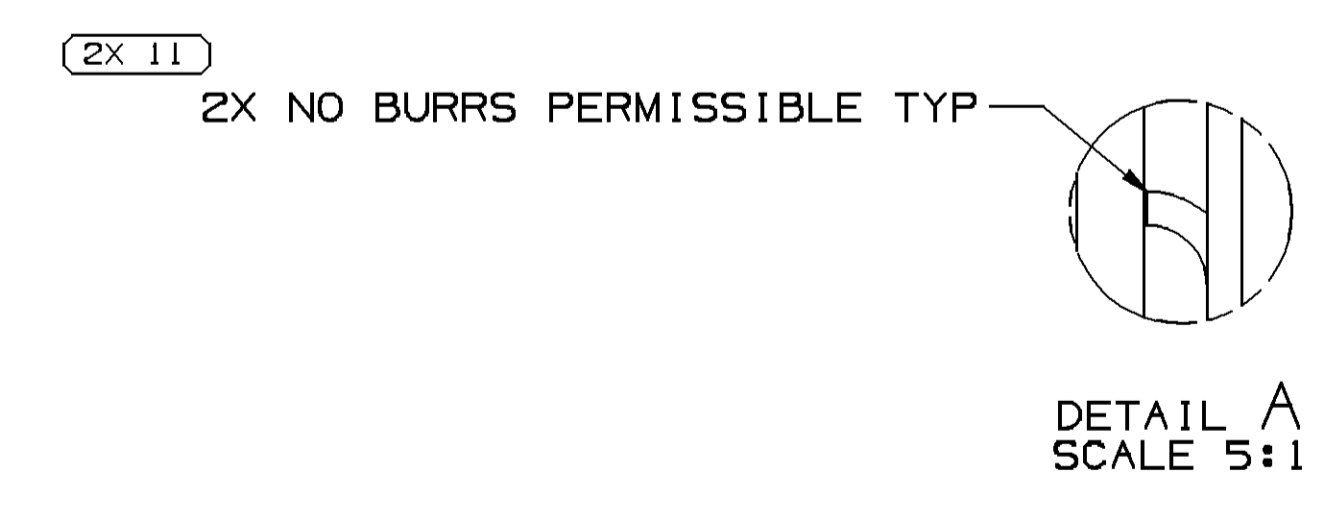
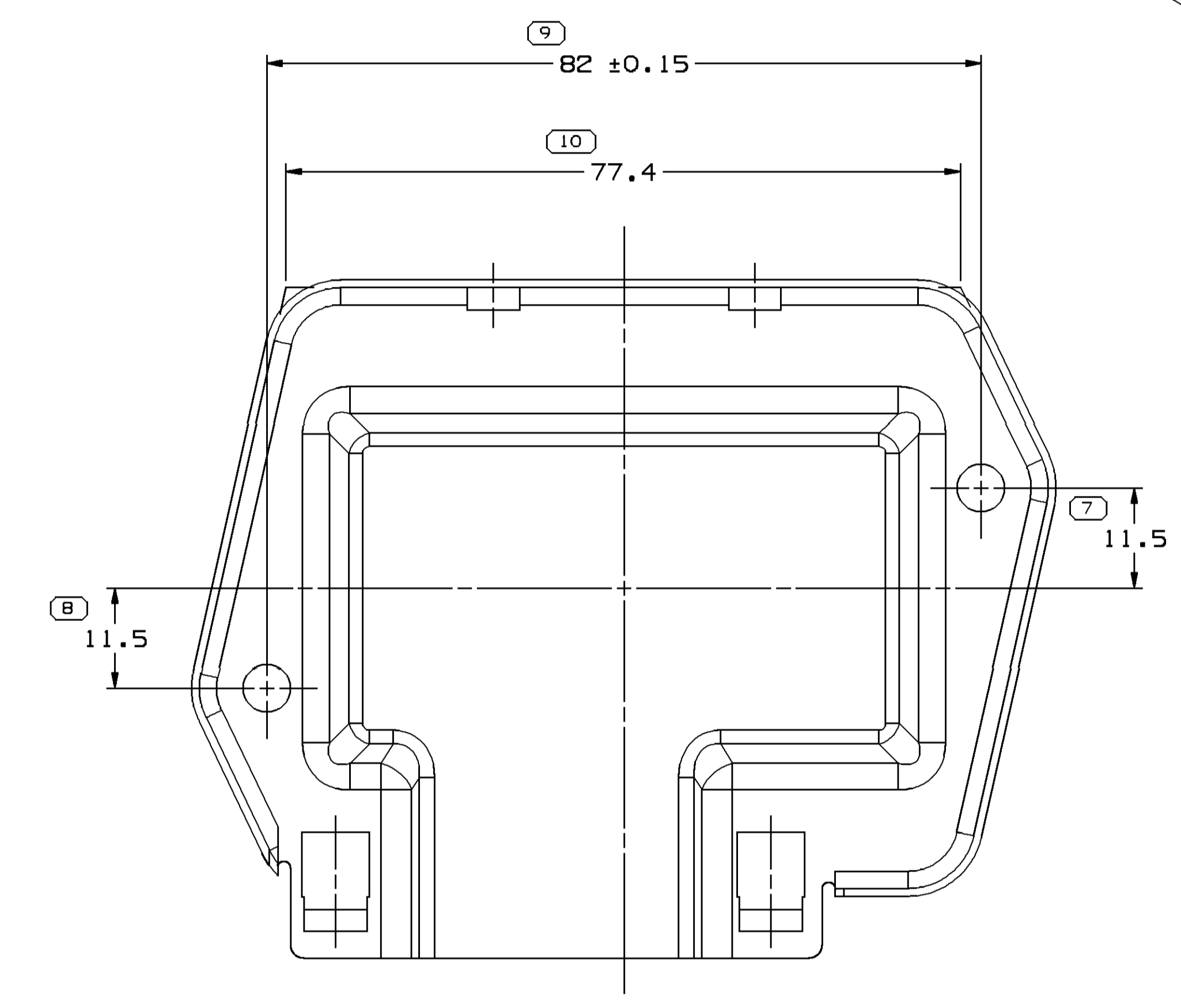
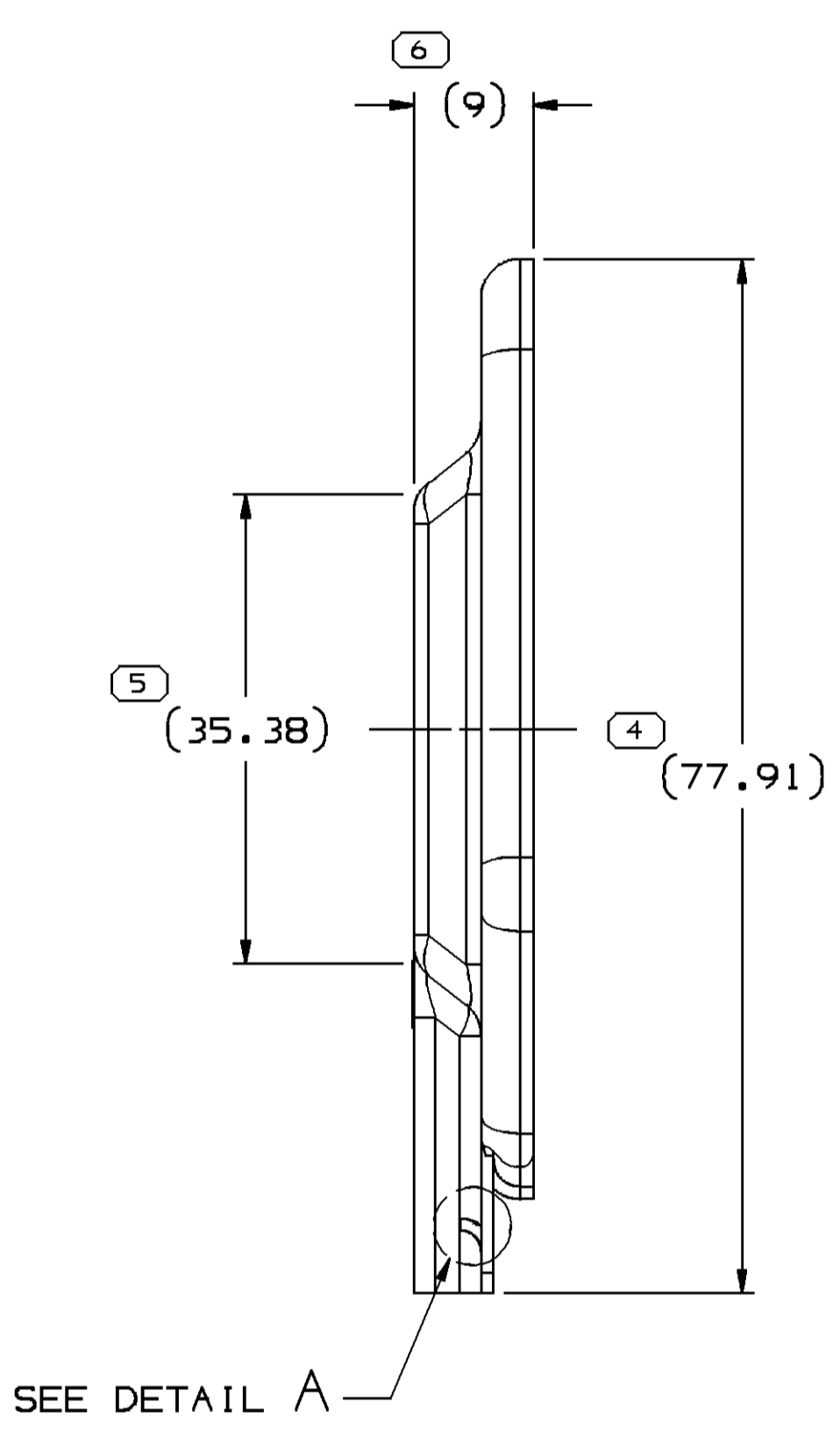
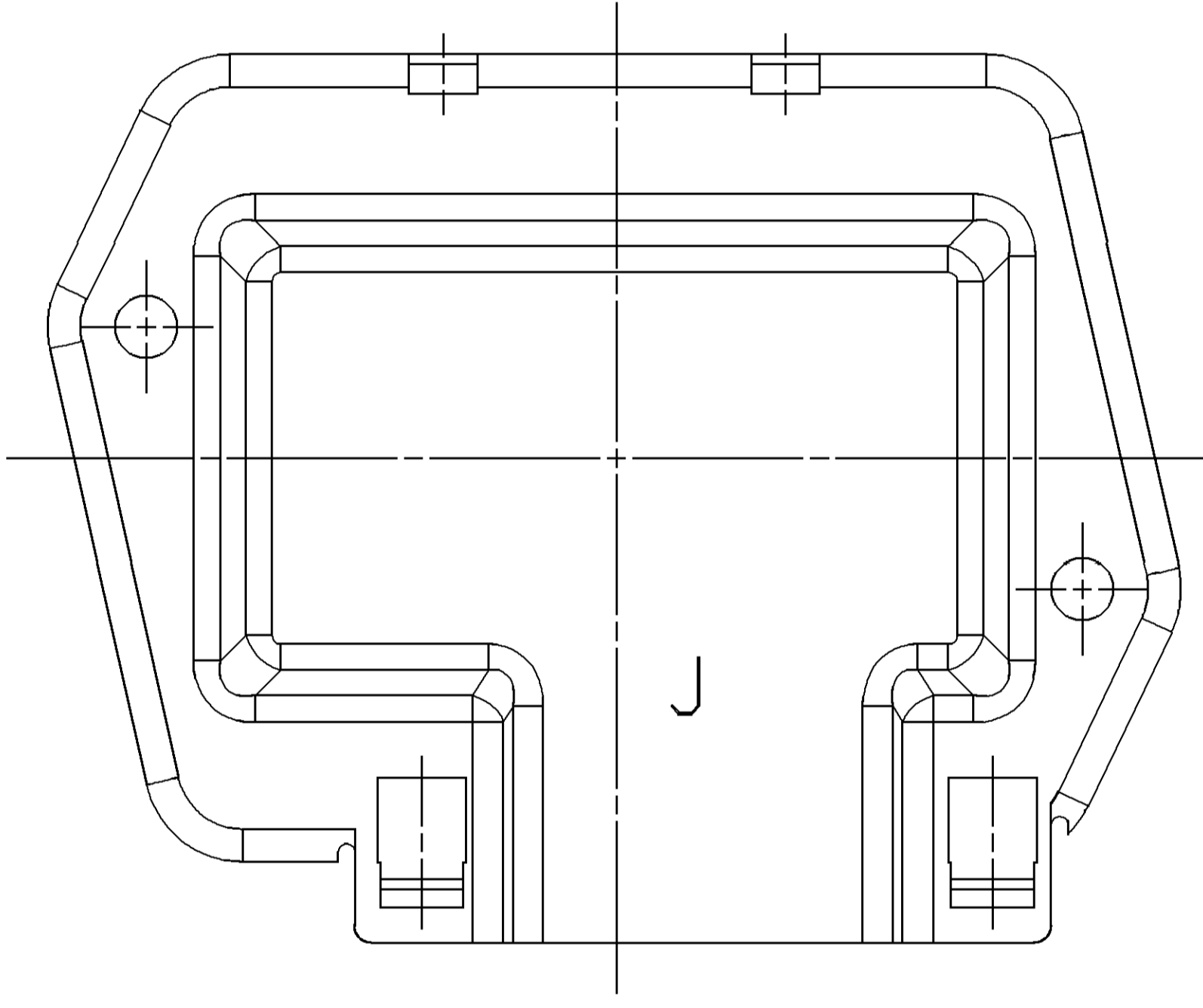
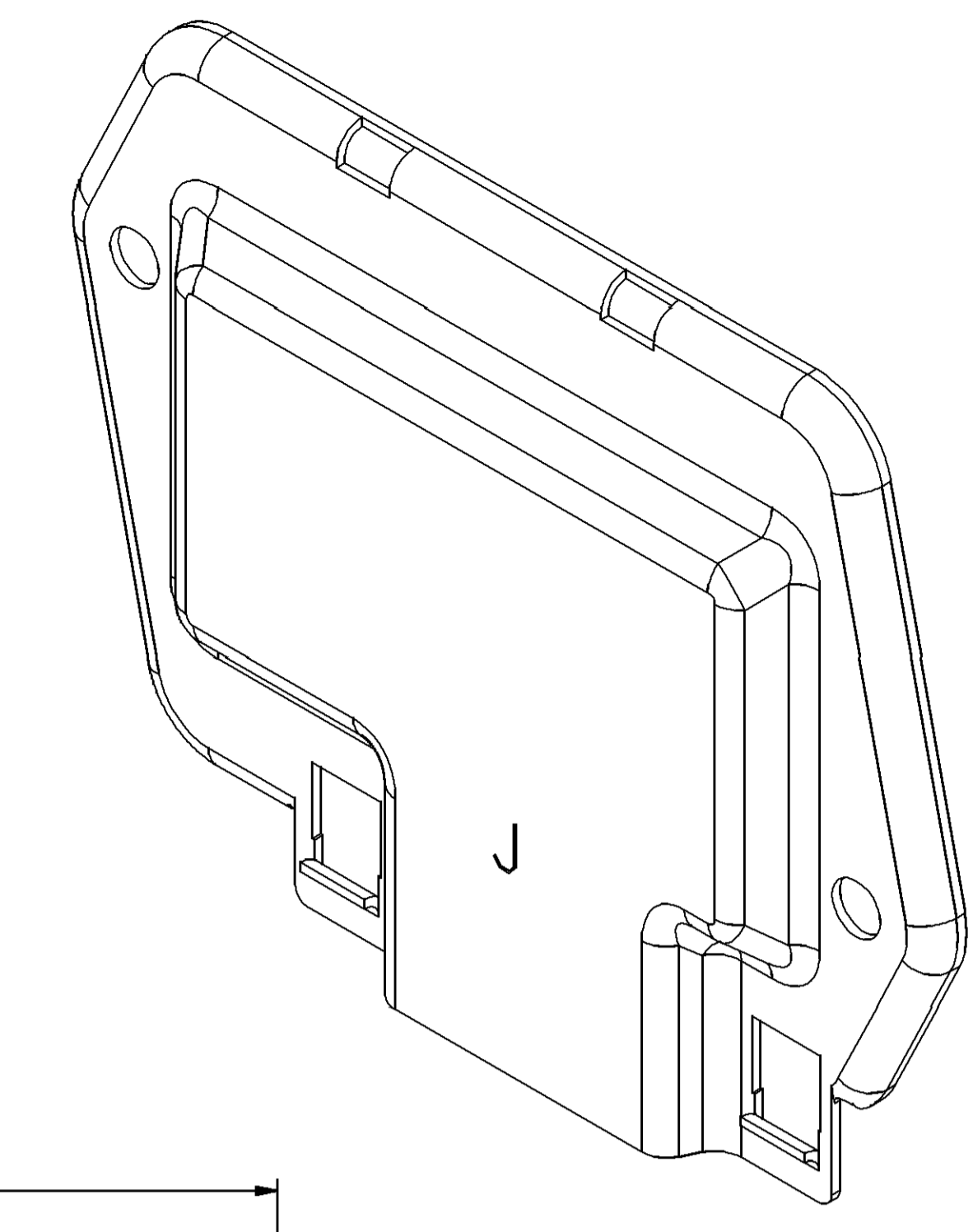
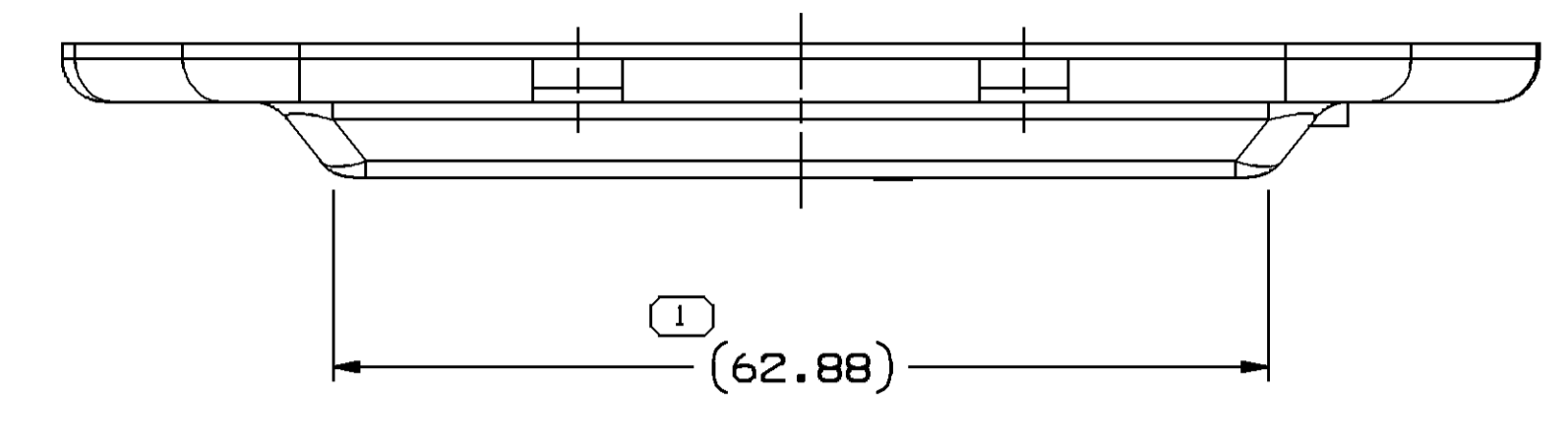


| SYMBOL DEFINITION  |               | TOTAL NO OF INSPECTIONS REQUIRED | MISSING SYMBOLS          |
|--|---------------|----------------------------------|--------------------------|
| A DIMENSION WITHOUT AN INSPECTION REPORT SYMBOL DOES NOT REQUIRE INSPECTION. IT MAY BE CONTROLLED ON THE INDIVIDUAL COMPONENT DRAWING. |               | 12                               | NO MISSING SYMBOL NUMBER |
|  | LAST NO. USED | 11                               |                          |

| DWG STATUS |     |     |     |     |      | REVISION HISTORY                                 |  | AUTH   | DR  | APVD | APV2 |
|------------|-----|-----|-----|-----|------|--|--|--------|-----|------|------|
| DATE       | STG | REV | W/P | CHG | ZONE |  |  |        |     |      |      |
| 04A04      | R   | 01  | -   | -   |      | RELEASED   |  | 257692 | GPS | FRG  | SAN  |
| 15AP05     | R   | 01  | AA  | -   |      | ADDED NOTE #3 AND 64 +0.3/-0.75 WAS 64 +0.3/-0.5 |  | 266999 | CCV | FRG  | TP   |
| 05MY06     | R   | 01  | AB  | -   |      | ADDED LABEL                                      |  | 280027 | JTZ | FKV  | TP   |
| 25JA13     | R   | 01  | AC  | -   |      | UPDATED MATERIAL SPEC                            |  | 421223 | DCH | JVM  | RLG  |



NOTES

1. UNLESS OTHERWISE SPECIFIED AND/OR INDICATED:  
DIMENSIONS ARE TO FACE OF VIEW SHOWN AND AUTOMATICALLY ROUNDED BY COMPUTER FOR INSPECTION (SEE MATH MODEL FOR PRECISE DIMENSIONS). FOR ALL OTHER DIMENSIONS NOT SHOWN BUT REQUIRED FOR TOOL BUILD, SEE MATH MODEL FOR PRECISE TOOL PATH DATA.
2. REFERENCE MATING COMPONENTS OR EQUIVALENT:  
CONNECTOR 12146432
3. PLATING TO WITHSTAND 120 HOURS MIN TO RED RUST IN NEUTRAL SALT FOG, EXCEPT FOR SHARP EDGES.
4. MATERIAL:  
PREFERRED: ASTM A653CS TYPE B G90 COATED WITH TRIVALENT CHROMIUM  
ALTERNATE: M5349 ASTM A653 CS TYPE B WITH CLEAR COAT

|  |              |
|--|--------------|
| <small>INDICATES THAT PHYSICAL PARTS ARE NOT AVAILABLE FOR ORDERING.</small><br><small>PART NUMBERS THAT DO NOT HAVE A LINE PRESENT INDICATE THAT PHYSICAL PARTS ARE AVAILABLE FOR ORDERING.</small><br><small>CONTACT DELPHI SALES TO ASSURE AVAILABILITY OF PARTS.</small> |              |
| DWG TYPE   | PART DRAWING |
| STYLE  |              |
| VOLUME (OMP)   | DISTR CODE   |
| UNLESS OTHERWISE SPECIFIED   |              |
| <small>THIS DOCUMENT IS IN ACCORDANCE WITH ASME Y14.5M-1994 AS MODIFIED BY THE 2003 SUPPLEMENT AND TELEPHANING ADDENDUM-2001. SEPARATE PATTERNS OF FEATURES MAY BE SHOWN SEPARATELY, REGARDLESS OF DATUM REFERENCES.</small>   |              |
| ALL DIMENSIONS ARE IN MILLIMETERS  |              |
| REFERENCE  |              |
| <small>9 PROCESS SENSITIVE DIMENSION</small><br><small>DIMENSIONS ENCLOSED IN ( ) INDICATE REFERENCE DIMENSIONS AND NO TOLERANCE LIMITS ARE ESTABLISHED</small>  |              |
| DIMENSIONAL RANGE (MM)   | CHART        |
| FROM   | > 12         |
| TO   |              |
| TOLERANCE UNLESS OTHERWISE SPECIFIED   |              |
| ±0.15  | ±0.3         |
| ANGULAR TOLERANCE ±2°  |              |
| THIRD ANGLE PROJECTION   | DO NOT SCALE |
| USE MATH DATA  |              |

**DELPHI**  
 DELPHI PACKARD ELECTRICAL/ELECTRONIC ARCHITECTURE  
 WARREN, OH  
 COPYRIGHT 2004 DELPHI CORPORATION AND/OR ITS AFFILIATES. ALL RIGHTS RESERVED.

THIS DRAWING IS THE PROPERTY OF DELPHI CORPORATION AND CONTAINS DELPHI CONFIDENTIAL INFORMATION. THE REPRODUCTION, DISTRIBUTION AND UTILIZATION OF THIS DOCUMENT OR ITS RELATED CAD DATA, AS WELL AS COMMUNICATION OF ANY CONTENT TO OTHERS, WITHOUT EXPRESS AUTHORIZATION, IS PROHIBITED.

|                        |        |
|------------------------|--------|
| DR                     | DATE   |
| APV01 PATRICIA SANCHEZ | 15SE04 |
| APV02 FCO. RESENDIZ    | 23SE04 |
| APV03 SAMUEL NORLING   | 27SE04 |
| APV04                  |        |

MATERIAL:  
SEE NOTES

DRAWING NAME:  
COV CONN M/P

DRAWING NUMBER:  
**15495857**

|      |       |          |          |     |     |       |
|------|-------|----------|----------|-----|-----|-------|
| SIZE | SCALE | FRAME NO | SHEET NO | STG | REV | W/P   |
| A0   | 2:1   | 1        | 1        | 1   | R   | 01 AC |

## X-ON Electronics

Largest Supplier of Electrical and Electronic Components

*Click to view similar products for [Automotive Connectors](#) category:*

*Click to view products by [APTIV](#) manufacturer:*

Other Similar products are found below :

[003-018-000](#) [60403001](#) [60993906-B](#) [629515004020001](#) [M902-2131](#) [M902-2161](#) [72.330.1035.1](#) [73.353.4028.0](#) [F119300-B](#) [F166900](#)  
[F258300-B](#) [F358300-B](#) [F407400](#) [F444110](#) [F487000](#) [F509500B-B](#) [827153-1](#) [8N1515-32-24P](#) [9-1326729-8](#) [925474-1](#) [928905-1](#) [964562-4](#)  
[968782-1](#) [GT17SA-8DS-HU](#) [98891-1012](#) [98947-1016](#) [12004475-L](#) [12010290](#) [12010309-B](#) [12015454](#) [12020219-B](#) [12020308](#) [12041318-B](#)  
[12052225-L](#) [12052466](#) [12059125](#) [12064869](#) [12004327-B](#) [12010503-B](#) [12015308](#) [12015384](#) [12015909](#) [1-21030-1](#) [12041254](#) [12041318](#)  
[12047946-B](#) [12047957](#) [12047957-L](#) [12059473](#) [12066261](#)