

# Metri-Pack Series

## METRI-PACK SERIES 150



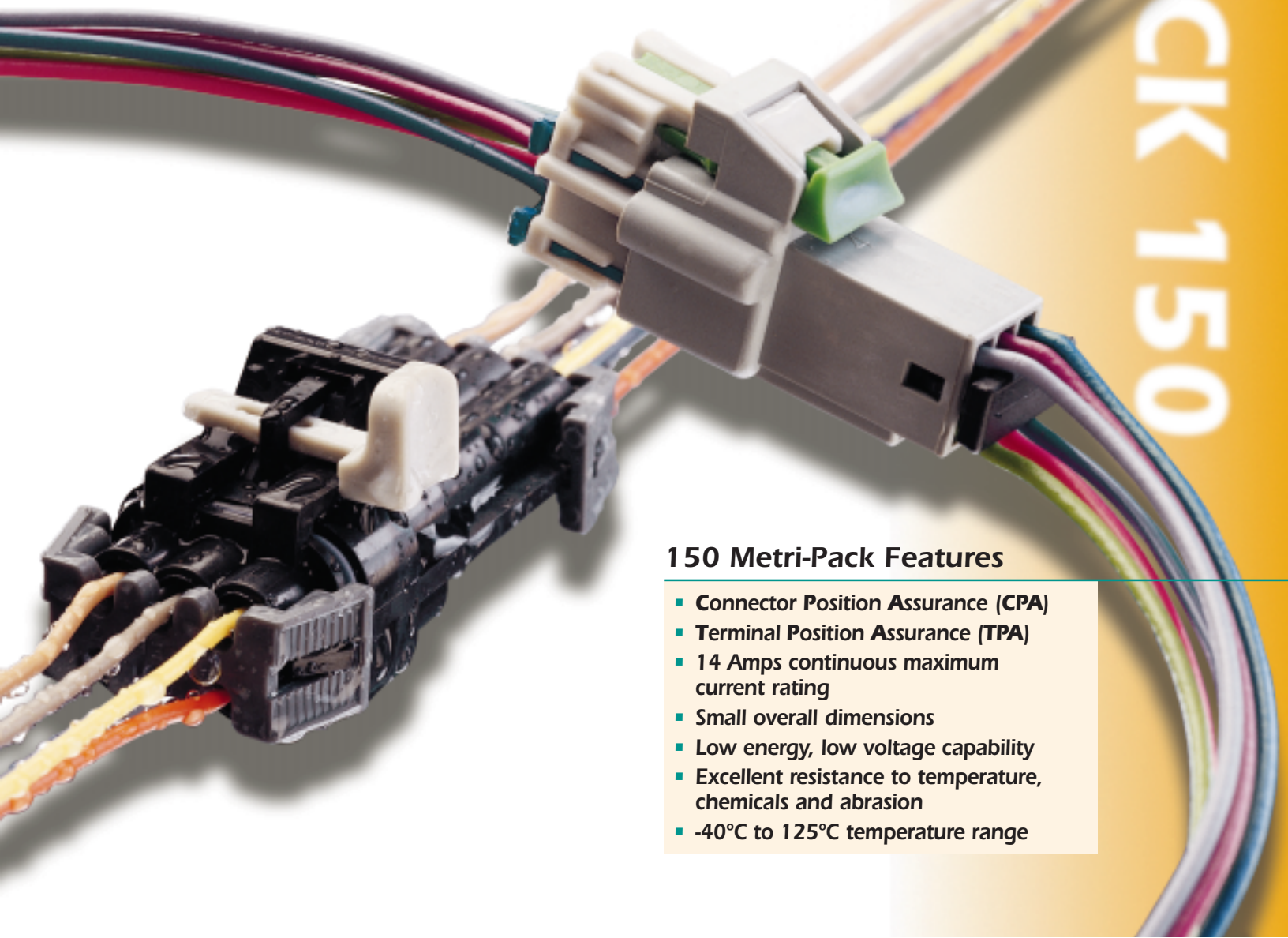
Available in device and in-line connections for vehicle applications, Metri-Pack 150 Series connectors can meet or exceed the requirements for most marine, appliance, and industrial control applications.

Ideally suited for limited space applications that do not require environmental protection, Metri-Pack 150 Series products are extremely versatile.



Available in device and in-line connections for underhood vehicle applications, Metri-Pack 150 Series sealed connectors can meet or exceed the requirements for most marine, appliance, and industrial control applications.

Utilizing triple-rib peripheral silicone rubber seals, Metri-Pack 150 Series sealed systems are ideally suited for critical, low-energy electronic applications that require protection from environmental hazards.



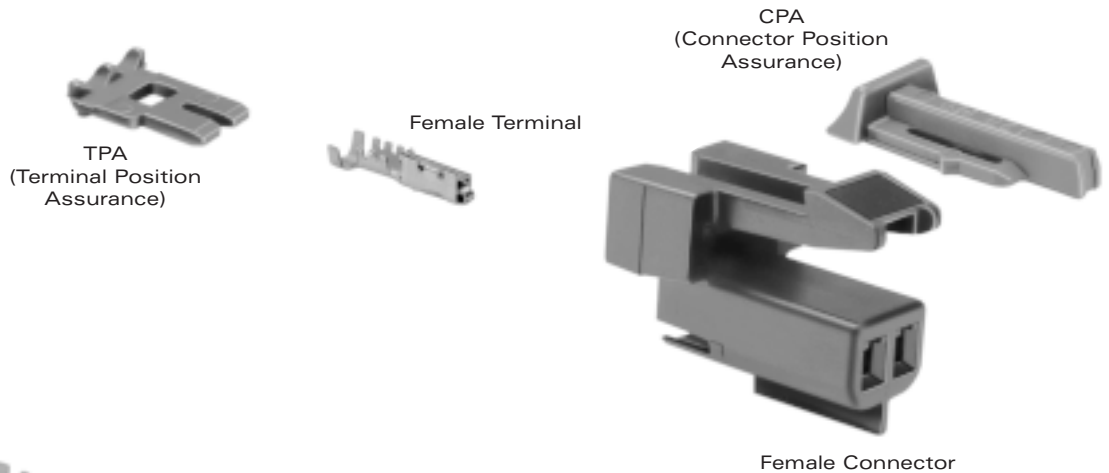
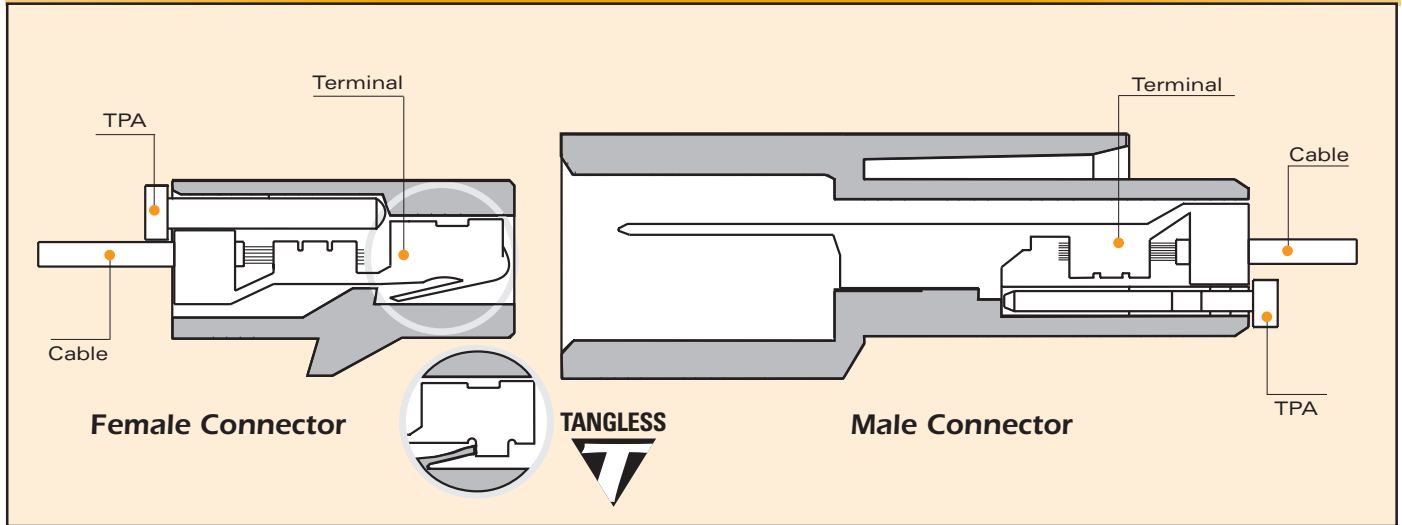
METRI-PACK 150

### 150 Metri-Pack Features

- Connector Position Assurance (CPA)
- Terminal Position Assurance (TPA)
- 14 Amps continuous maximum current rating
- Small overall dimensions
- Low energy, low voltage capability
- Excellent resistance to temperature, chemicals and abrasion
- -40°C to 125°C temperature range



Cross Sectional View



150 FEMALE TERMINALS UNSEALED

Part #	Cable Range (mm <sup>2</sup> )	Material	Plating
12047767	1.0-0.80	Silicon Bronze	Tin
12064971	0.50-0.35	Silicon Bronze	Tin

150 FEMALE CONNECTORS UNSEALED

# Cavities	Connector	Color	Material	TPA
1	12047682	Black	PA66 HS IM	-
2	12047662	Black	PA66 HS IM	12047664
2	12052832	Black	PA66 HS IM	12047664
3	12047781	Black	PA66 HS IM	12047783
3	12064758	Black	PA66 HS IM	12047783
4	12047785	Black	PA66 HS IM	12047664
4	12064760	Black	PA66 HS IM	12047664
4	12092162	Black	PA66 HS IM	12092164
6	12064762	Gray	PBT	12064764
8	12047886	Black	PA66 HS IM	12045689
8	12064766	Blue	PBT	12064768
10	12064769	Natural	PBT	12064771

TANGLESS

150 TANGLESS FEMALE TERMINALS UNSEALED

Part #	Cable Range (mm <sup>2</sup> )	Material	Plating
12129484	1.0-0.80	Silicon Bronze	Tin
12129373	0.5-0.35	Silicon Bronze	Tin

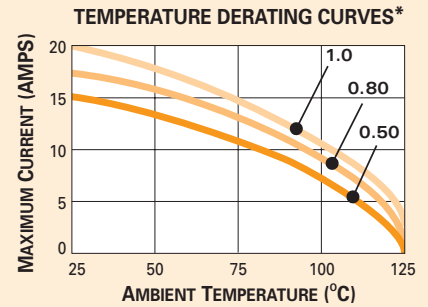
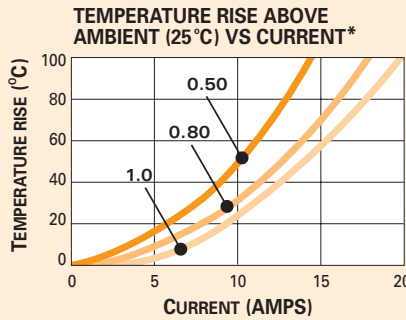
<http://delphi.com/products/connect>



## Unsealed System Application Information

**CABLE RANGE (mm<sup>2</sup>):** ..... 0.35-1.0  
**CURRENT RANGE (AMPS):** ..... 0-14  
**TEMP RANGE °C:** ..... -40 to 125  
**RESISTANCE:** ..... <10mΩ@20mV  
**VOLTAGE DROP:** .... <10.0 mV/amp  
**CENTERLINE SPACING (mm):** ..... 3.5  
**BLADE WIDTH (mm):** ..... 1.5

### 150 SERIES TERMINALS-Tin Plated



\*The test data are based on single circuits in free space and were generated using a "Lumped Resistance" model. This model does not account for all of the variables that would be present in an actual application. For actual product performance, contact your regional support representative at the number listed below.



Male Connector

Male Terminal



TPA  
(Terminal Position Assurance)



### 150 MALE CONNECTORS UNSEALED

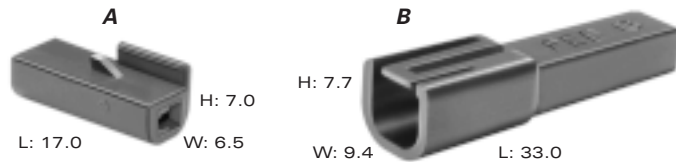
# Cavities	Connector	Color	Material	TPA
1	12047683	Black	PA66 HS IM	-
2	12047663	Black	PA66 HS IM	12047665
2	12052833	Black	PBT	12047665
3	12047782	Black	PA66 HS IM	12047784
3	12064759	Black	PBT	12047784
4	12047786	Black	PA66 HS IM	12047787
4	12064761	Black	PBT	12047787
4	12092163	Black	PA66 HS IM	12092164
6	12064763	Gray	PBT	12064765
8	12045688	Black	PA66 HS IM	12045690
8	12064767	Blue	PBT	12045690
10	12064770	Natural	PBT	12064772

### 150 MALE TERMINALS UNSEALED

Part #	Cable Range (mm <sup>2</sup> )	Material	Plating
12047581	1.0-0.80	Tin Brass	Tin
12059894	0.50-0.35	Tin Brass	Tin

#### SECTION NOTES:

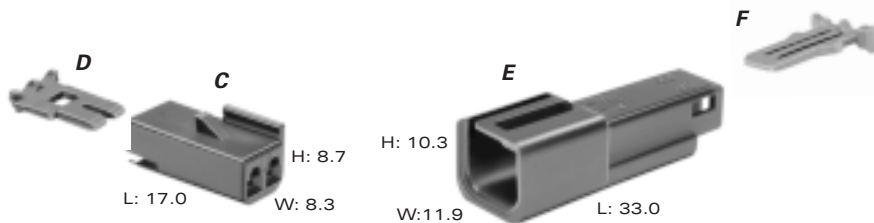
- Contact your regional support representative at the number listed below.
- Due to rigid tolerances of connector cavities, it is critical to meet all crimp dimensions as specified.
- Female connections for device applications, see page 74.



Total Mated Length: 38.1mm

**A** PART NO: **12047682**  
 DESCRIPTION: Connector 1F  
 SIZE: 17.0L x 7.0H x 6.5W  
 COLOR: Black  
 MATERIAL: PA66 HS IM  
 TERMINALS: See Page 56

**B** PART NO: **12047683**  
 DESCRIPTION: Connector 1M  
 SIZE: 33.0L x 7.7H x 9.4W  
 COLOR: Black  
 MATERIAL: PA66 HS IM  
 TERMINALS: See Page 57



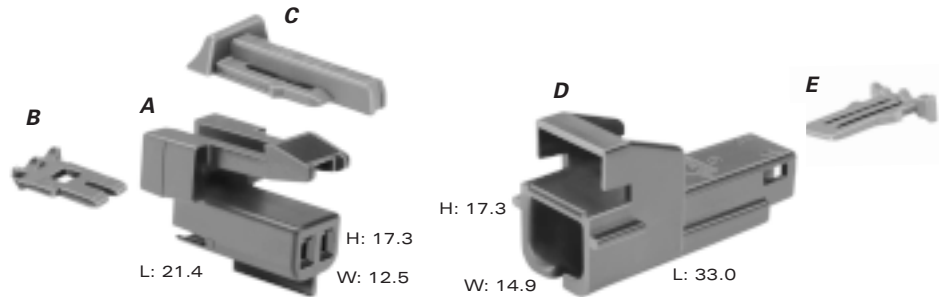
Total Mated Length: 41.0mm

**C** PART NO: **12047662 (Black)**  
**12059249 (Natural)**  
 DESCRIPTION: Connector 2F  
 SIZE: 17.0L x 8.7H x 8.3W  
 MATERIAL: PA66 HS IM  
 TERMINALS: See Page 56

**E** PART NO: **12047663 (Black)**  
**12059250 (Natural)**  
 DESCRIPTION: Connector 2M (Clip Slot)  
 SIZE: 33.0L x 10.3H x 11.9W  
 MATERIAL: PA66 HS IM  
 TERMINALS: See Page 57

**D** PART NO: **12047664**  
 DESCRIPTION: TPA  
 COLOR: Md. Gray  
 MATERIAL: PA66 HS IM

**F** PART NO: **12047665**  
 DESCRIPTION: TPA  
 COLOR: Md. Gray  
 MATERIAL: PA66 HS IM



Total Mated Length: 43.1mm

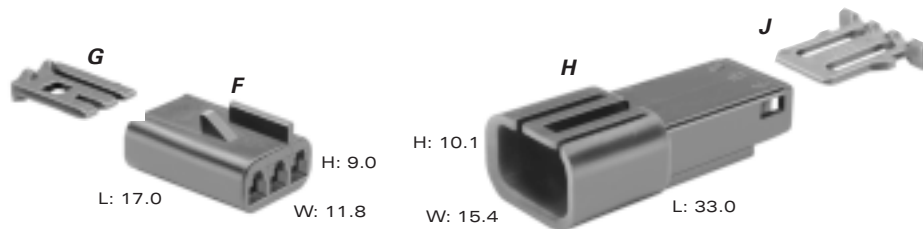
**A PART NO: 12052832**  
 DESCRIPTION: Connector 2F  
 SIZE: 21.4L x 17.3H x 12.5W  
 COLOR: Black  
 MATERIAL: PA66 HS IM  
 TERMINALS: See Page 56

**D PART NO: 12052833**  
 DESCRIPTION: Connector 2M (Clip Slot)  
 SIZE: 33.0L x 17.3H x 14.9W  
 COLOR: Black  
 MATERIAL: PBT  
 TERMINALS: See Page 57

**B PART NO: 12047664**  
 DESCRIPTION: TPA  
 COLOR: Md. Gray  
 MATERIAL: PA66 HS IM

**E PART NO: 12047665**  
 DESCRIPTION: TPA  
 COLOR: Md. Gray  
 MATERIAL: PA66 HS IM

**C PART NO: 12052834**  
 DESCRIPTION: CPA  
 COLOR: Green  
 MATERIAL: PP



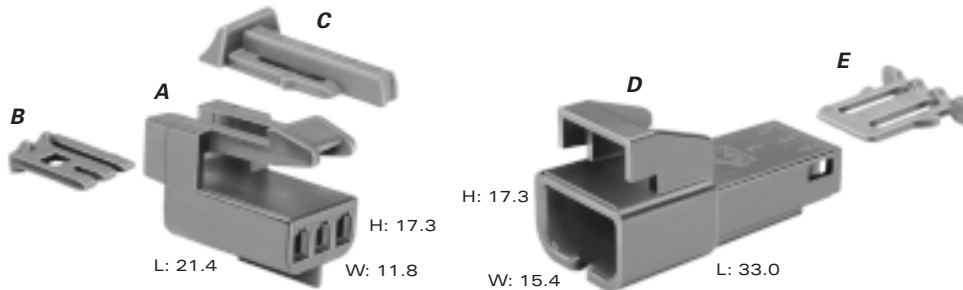
Total Mated Length: 41.3mm

**F PART NO: 12047781**  
 DESCRIPTION: Connector 3F  
 SIZE: 17.0L x 9.0H x 11.8W  
 COLOR: Black  
 MATERIAL: PA66 HS IM  
 TERMINALS: See Page 56

**H PART NO: 12047782**  
 DESCRIPTION: Connector 3M (Clip Slot)  
 SIZE: 33.0L x 10.1H x 15.4W  
 COLOR: Black  
 MATERIAL: PA66 HS IM  
 TERMINALS: See Page 57

**G PART NO: 12047783**  
 DESCRIPTION: TPA  
 COLOR: Md. Gray  
 MATERIAL: PA66 HS IM

**J PART NO: 12047784**  
 DESCRIPTION: TPA  
 COLOR: Gray  
 MATERIAL: PBT



Total Mated Length: 47.1mm

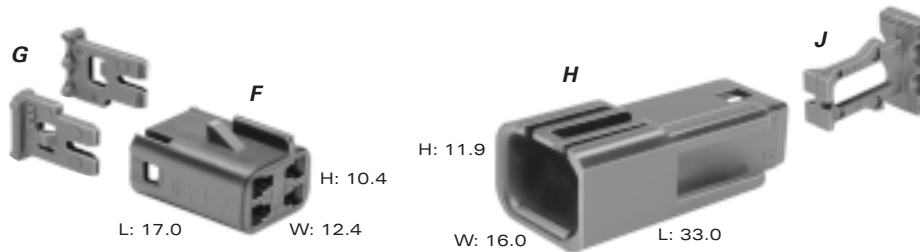
**A PART NO: 12064758**  
 DESCRIPTION: Connector 3F  
 SIZE: 21.4L x 17.3H x 11.8W  
 COLOR: Black  
 MATERIAL: PA66 HS IM  
 TERMINALS: See Page 56

**D PART NO: 12064759**  
 DESCRIPTION: Connector 3M (Clip Slot)  
 SIZE: 33.0L x 17.3H x 15.4W  
 COLOR: Black  
 MATERIAL: PBT  
 TERMINALS: See Page 57

**B PART NO: 12047783**  
 DESCRIPTION: TPA  
 COLOR: Md. Gray  
 MATERIAL: PA66 HS IM

**E PART NO: 12047784**  
 DESCRIPTION: TPA  
 COLOR: Gray  
 MATERIAL: PBT

**C PART NO: 12052834**  
 DESCRIPTION: CPA  
 COLOR: Green  
 MATERIAL: PP



Total Mated Length: 42.2mm

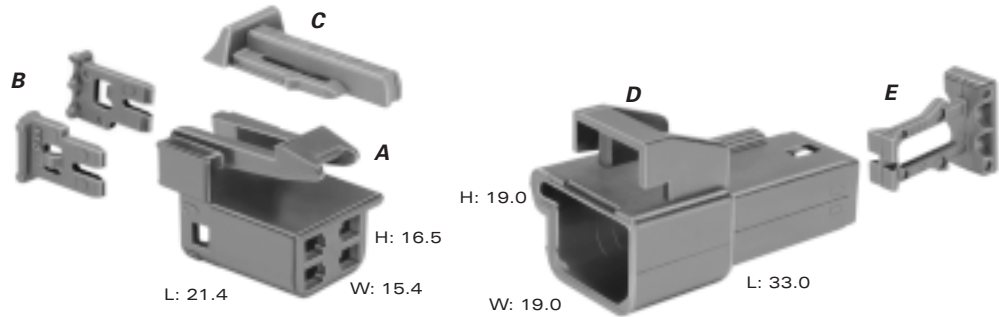
**F PART NO: 12047785**  
 DESCRIPTION: Connector 4F  
 SIZE: 17.0L x 10.4H x 12.4W  
 COLOR: Black  
 MATERIAL: PA66 HS IM  
 TERMINALS: See Page 56

**H PART NO: 12047786**  
 DESCRIPTION: Connector 4M (Clip Slot)  
 SIZE: 33.0L x 11.9H x 16.0W  
 COLOR: Black  
 MATERIAL: PA66 HS IM  
 TERMINALS: See Page 57

**G PART NO: 12047664**  
 DESCRIPTION: TPA  
 NUMBER REQ: 2  
 COLOR: Md. Gray  
 MATERIAL: PA66 HS IM

**J PART NO: 12047787**  
 DESCRIPTION: TPA  
 COLOR: Blue  
 MATERIAL: PBT





Total Mated Length: 47.9mm

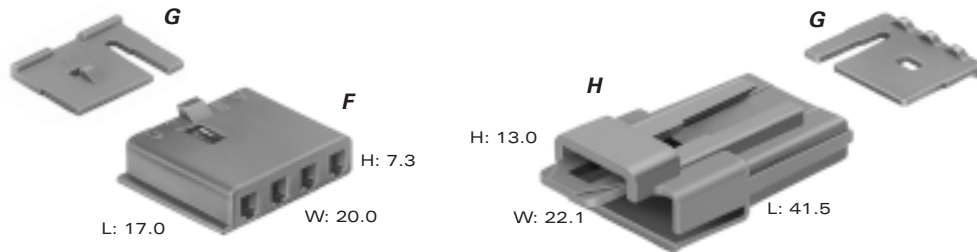
**A PART NO: 12064760**  
 DESCRIPTION: Connector 4F  
 SIZE: 21.4L x 16.5H x 15.4W  
 COLOR: Black  
 MATERIAL: PA66 HS IM  
 TERMINALS: See Page 56

**D PART NO: 12064761**  
 DESCRIPTION: Connector 4M (Clip Slot)  
 SIZE: 33.0L x 19.0H x 19.0W  
 COLOR: Black  
 MATERIAL: PBT  
 TERMINALS: See Page 57

**B PART NO: 12047664**  
 DESCRIPTION: TPA  
 NUMBER REQ: 2  
 COLOR: Md. Gray  
 MATERIAL: PA66 HS IM

**E PART NO: 12047787**  
 DESCRIPTION: TPA  
 COLOR: Blue  
 MATERIAL: PBT

**C PART NO: 12052834**  
 DESCRIPTION: CPA  
 COLOR: Green  
 MATERIAL: PP

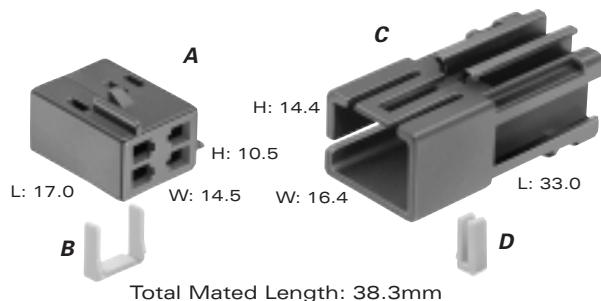


Total Mated Length: 43.3mm

**F PART NO: 12092162**  
 DESCRIPTION: Connector 4F  
 SIZE: 17.0L x 7.3H x 20.0W  
 COLOR: Black  
 MATERIAL: PA66 HS IM  
 TERMINALS: See Page 56

**H PART NO: 12092163**  
 DESCRIPTION: Connector 4M (Clip Slot)  
 SIZE: 41.5L x 13.0H x 22.1W  
 COLOR: Black  
 MATERIAL: PA66 HS IM  
 TERMINALS: See Page 57

**G PART NO: 12092164**  
 DESCRIPTION: TPA  
 NUMBER REQ: 2  
 COLOR: Blue  
 MATERIAL: PA6

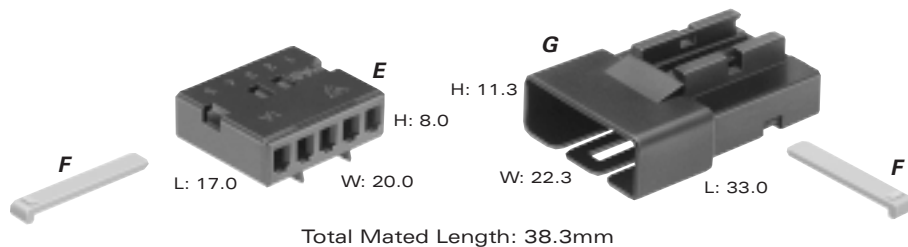


**A** PART NO: **12131283**  
 DESCRIPTION: Connector 4F  
 SIZE: 17.0L x 10.5H x 14.5W  
 COLOR: Black  
 MATERIAL: PA66  
 TERMINALS: See Page 56

**C** PART NO: **12131285**  
 DESCRIPTION: Connector 4M (Clip Slot)  
 SIZE: 33.0L x 14.4H x 16.4W  
 COLOR: Black  
 MATERIAL: PA66  
 TERMINALS: See Page 57

**B** PART NO: **12131361**  
 DESCRIPTION: Secondary Lock  
 COLOR: Yellow  
 MATERIAL: PA66 25% GF

**D** PART NO: **12131372**  
 DESCRIPTION: Secondary Lock  
 COLOR: Yellow  
 MATERIAL: PA66 25% GF  
 NOTE: M Clip-on Connector also available

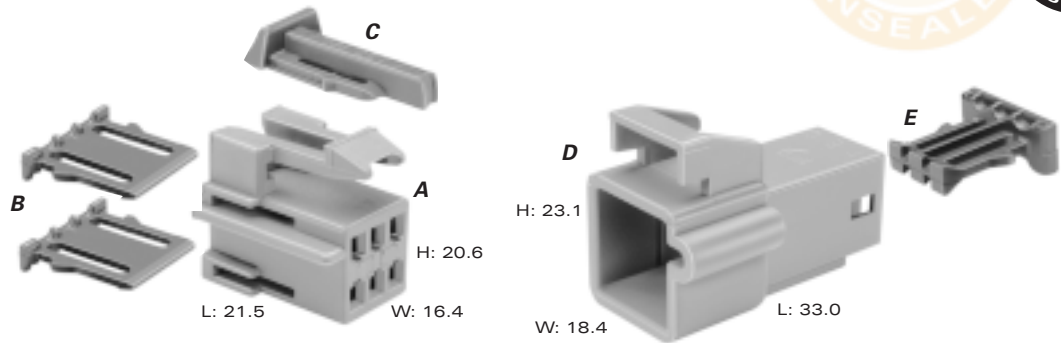


**E** PART NO: **12147054**  
 DESCRIPTION: Connector 5F  
 SIZE: 17.0L x 8.0H x 20.0W  
 COLOR: Black  
 MATERIAL: PA66  
 TERMINALS: See Page 56

**G** PART NO: **12185636**  
 DESCRIPTION: Connector 5M (Clip Slot)  
 SIZE: 33.0L x 11.3H x 22.3W  
 COLOR: Black  
 MATERIAL: PA66  
 TERMINALS: See Page 57  
 NOTE: Clip Version available

**F** PART NO: **12147055**  
 DESCRIPTION: Secondary Lock  
 NUMBER REQ: 2  
 COLOR: Yellow  
 MATERIAL: PA66 25% GF





Total Mated Length: 50.1mm

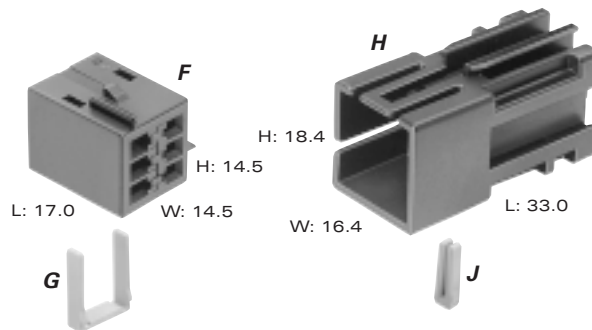
**A PART NO: 12064762**  
 DESCRIPTION: Connector 6F  
 SIZE: 21.5L x 20.6H x 16.4W  
 COLOR: Gray  
 MATERIAL: PBT  
 TERMINALS: See Page 56

**D PART NO: 12064763**  
 DESCRIPTION: Connector 6M (Clip Slot)  
 SIZE: 33.0L x 23.1H x 18.4W  
 COLOR: Gray  
 MATERIAL: PBT  
 TERMINALS: See Page 57

**B PART NO: 12064764**  
 DESCRIPTION: TPA  
 NUMBER REQ: 2  
 COLOR: Blue  
 MATERIAL: PBT

**E PART NO: 12064765**  
 DESCRIPTION: TPA  
 COLOR: Black  
 MATERIAL: PBT

**C PART NO: 12052834**  
 DESCRIPTION: CPA  
 COLOR: Green  
 MATERIAL: PP



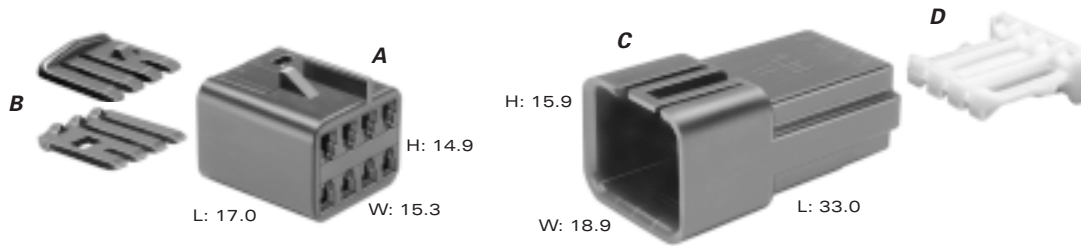
Total Mated Length: 38.3mm

**F PART NO: 15396848**  
 DESCRIPTION: Connector 6F  
 SIZE: 17.0L x 14.5H x 14.5W  
 COLOR: Black  
 MATERIAL: PA66  
 TERMINALS: See Page 56

**H PART NO: 15396849**  
 DESCRIPTION: Connector 6M  
 SIZE: 33.0L x 18.4H x 16.4W  
 COLOR: Black  
 MATERIAL: PA66  
 TERMINALS: See Page 57

**G PART NO: 12131358**  
 DESCRIPTION: Secondary Lock  
 COLOR: Yellow  
 MATERIAL: PA66 25% GF

**J PART NO: 12131370**  
 DESCRIPTION: Secondary Lock  
 COLOR: Yellow  
 MATERIAL: PA66 25% GF



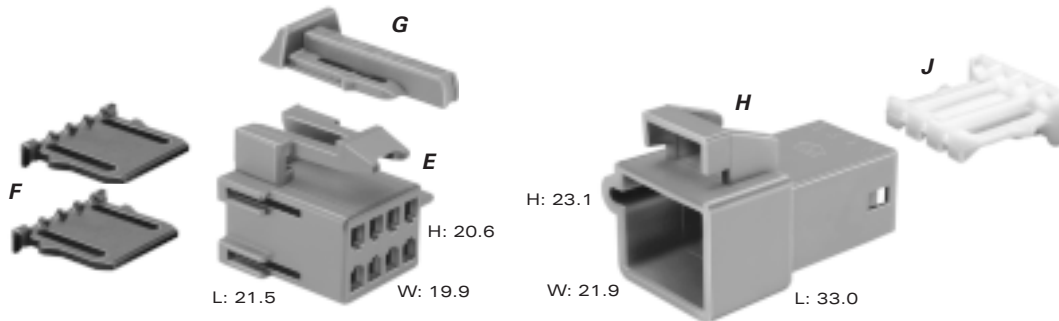
Total Mated Length: 41.2mm

**A PART NO: 12047886**  
 DESCRIPTION: Connector 8F  
 SIZE: 17.0L x 14.9H x 15.3W  
 COLOR: Black  
 MATERIAL: PA66 HS IM  
 TERMINALS: See Page 56

**C PART NO: 12045688**  
 DESCRIPTION: Connector 8M (Clip Slot)  
 SIZE: 33.0L x 15.9H x 18.9W  
 COLOR: Black  
 MATERIAL: PA66 HS IM  
 TERMINALS: See Page 57

**B PART NO: 12045689**  
 DESCRIPTION: TPA  
 NUMBER REQ: 2  
 COLOR: Md. Gray  
 MATERIAL: PA66 HS IM

**D PART NO: 12045690**  
 DESCRIPTION: TPA  
 COLOR: Natural  
 MATERIAL: PBT



Total Mated Length: 48.3mm

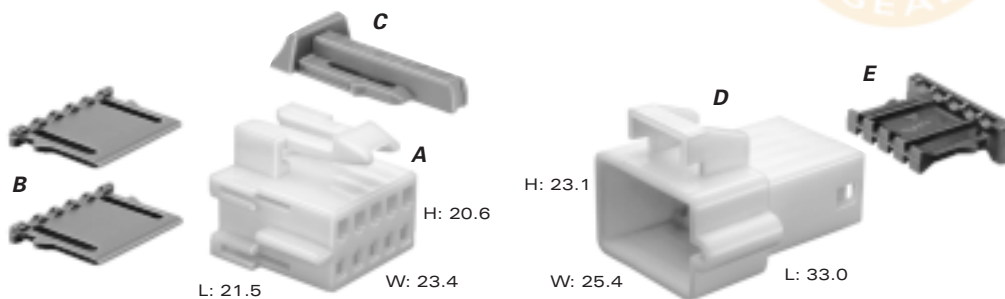
**E PART NO: 12064766**  
 DESCRIPTION: Connector 8F  
 SIZE: 21.5L x 20.6H x 19.9W  
 COLOR: Blue  
 MATERIAL: PBT  
 TERMINALS: See Page 56

**H PART NO: 12064767**  
 DESCRIPTION: Connector 8M (Clip Slot)  
 SIZE: 33.0L x 23.1H x 21.9W  
 COLOR: Blue  
 MATERIAL: PBT  
 TERMINALS: See Page 57

**F PART NO: 12064768**  
 DESCRIPTION: TPA  
 NUMBER REQ: 2  
 COLOR: Black  
 MATERIAL: PBT

**J PART NO: 12045690**  
 DESCRIPTION: TPA  
 COLOR: Natural  
 MATERIAL: PBT

**G PART NO: 12052834**  
 DESCRIPTION: CPA  
 COLOR: Green  
 MATERIAL: PP



Total Mated Length: 48.3mm

**A** PART NO: **12064769**  
 DESCRIPTION: Connector 10F  
 SIZE: 21.5L x 20.6H x 23.4W  
 COLOR: Natural  
 MATERIAL: PBT  
 TERMINALS: See Page 56

**B** PART NO: **12064771**  
 DESCRIPTION: TPA  
 NUMBER REQ: 2  
 COLOR: Md. Gray  
 MATERIAL: PA66 HS IM

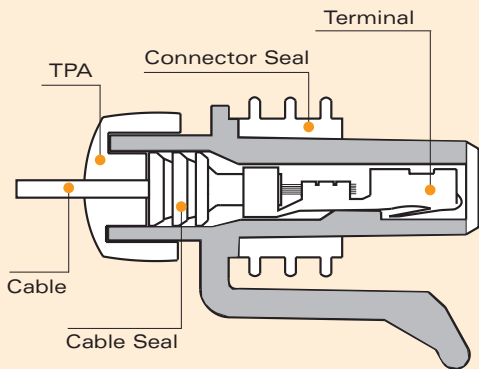
**C** PART NO: **12052834**  
 DESCRIPTION: CPA  
 COLOR: Green  
 MATERIAL: PP

**D** PART NO: **12064770**  
 DESCRIPTION: Connector 10M (Clip Slot)  
 SIZE: 33.0L x 23.1H x 25.4W  
 COLOR: Natural  
 MATERIAL: PBT  
 TERMINALS: See Page 57

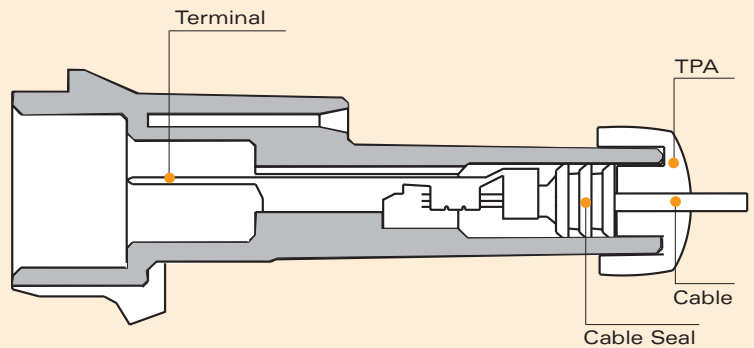
**E** PART NO: **12064772**  
 DESCRIPTION: TPA  
 COLOR: Black  
 MATERIAL: PBT



Cross Sectional View



Female Connector Assembly



Male Connector



TPA  
(Terminal Position Assurance)

Female Terminal  
Cable Seal



Female Connector Assembly

150 FEMALE TERMINALS SEALED

Part #	Cable Range (mm <sup>2</sup> )	Material	Plating
12048074	1.0-0.80	Silicon Bronze	Tin
12084200	0.50-0.35	Silicon Bronze	Tin
12160223	1.0-0.80	Beryllium Copper	Silver/Nickel
12160222	0.50-0.35	Beryllium Copper	Silver/Nickel



150.2 PULL-TO-SEAT FEMALE TERMINALS\*

Part #	Cable Range (mm <sup>2</sup> )	Material	Plating
12124075	1.0-0.80	Silicon Bronze	Tin
12124076	0.50-0.35	Silicon Bronze	Tin
12161184	1.0-0.80	Beryllium Copper	Silver/Nickel

\* To be used with female connections, see page 76



150 METRI-PACK CABLE SEALS

Reel Part #	Loose Part #	Cable Diameter	Material	Color
12052924	12048086	2.85-2.03	Silicone	Dk. Red
12089442	12089678	2.15-1.60	Silicone	White
12052925	12048087	1.70-1.29	Silicone	Blue
12124669	12084193	1.009-0.995	Silicone	Tan

150 FEMALE CONNECTOR ASSEMBLIES SEALED

# Cavities	Conn. Asm.	Color	Material	TPA
2	12052641	Black	PA66 HS IM	12052634
3	12110293	Black	PA66 HS IM	12052845
4	12162144	Black	PA66 HS IM	12047948
5	12146045	Natural	PA6	12092844
6	12052848	Black	PA6	12052850
8	12047937	Black	PA66 HS IM	12066304
10	12065425	Black	PA66 HS IM	12124264

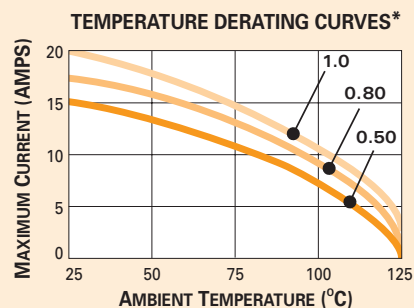
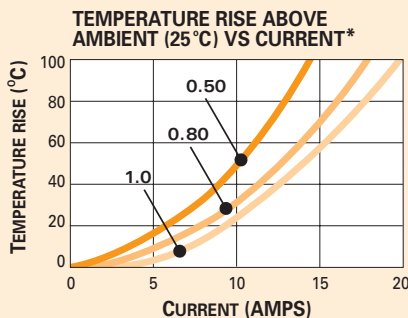
<http://delphi.com/products/connect>



## Sealed System Application Information

**CABLE RANGE (mm<sup>2</sup>):** ..... 0.35-1.0  
**CURRENT RANGE (AMPS):** ..... 0-14  
**TEMP RANGE °C:** ..... -40 to 125  
**RESISTANCE:** ..... <10mΩ@20mV  
**VOLTAGE DROP:** .... <10.0 mV/amp  
**CENTERLINE SPACING (mm):** ..... 6.0  
**BLADE WIDTH (mm):** ..... 1.5

### 150 SERIES TERMINALS-Tin Plated



\*The test data are based on single circuits in free space and were generated using a "Lumped Resistance" model. This model does not account for all of the variables that would be present in an actual application. For actual product performance, contact your regional support representative at the number listed below.



CPA  
(Connector Position Assurance)



Male Connector



Male Terminal



Cable Seal

TPA  
(Terminal Position Assurance)

### 150 MALE TERMINALS SEALED

Part #	Cable Range (mm <sup>2</sup> )	Material	Plating
12045773	1.0-0.80	Tin Brass	Tin
12077628	0.50-0.35	Tin Brass	Tin



### 150 MALE CONNECTORS SEALED

# Cavities	Connector	Color	Material	TPA
2	12162000	Black	PA66 HS IM	12052634
3	12129615	Black	PA66 HS IM	12052845
4	12162102	Black	PBT 30% GF	12047948
5	12103974	Natural	PBT 30% GF	12092844
6	12124107	Black	PA66 HS IM	12052850
8	12047931	Black	PBT 30% GF	15324525
10	12045808	Black	PBT 30% GF	12124264

### 150 METRI-PACK CAVITY PLUG\*

Part #	Cavity Inside Diameter	Material	Color
12059168	5.2mm	Silicone	Dk. Red

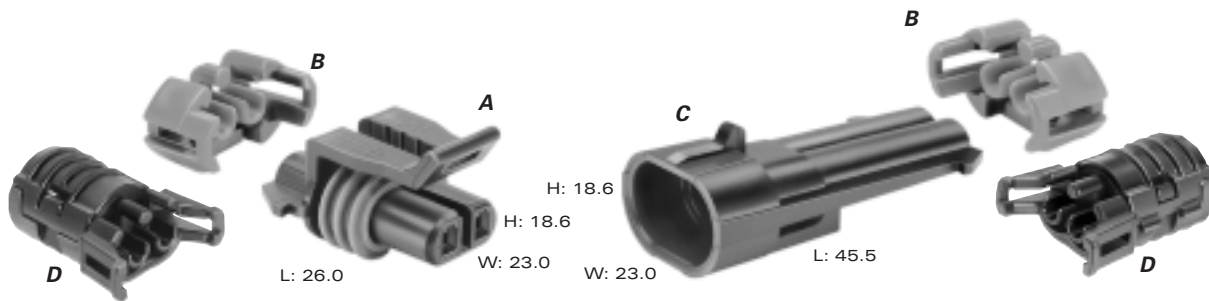
\*Cavity plugs seal unused female and male cavities

### SECTION NOTES:

Contact your regional support representative at the number listed below.

- Due to rigid tolerances of connector cavities, it is critical to meet all crimp dimensions as specified.
- Different color and connector indexing features are also available.
- Female connections for device applications, see page 75.

<http://delphi.com/products/connect>



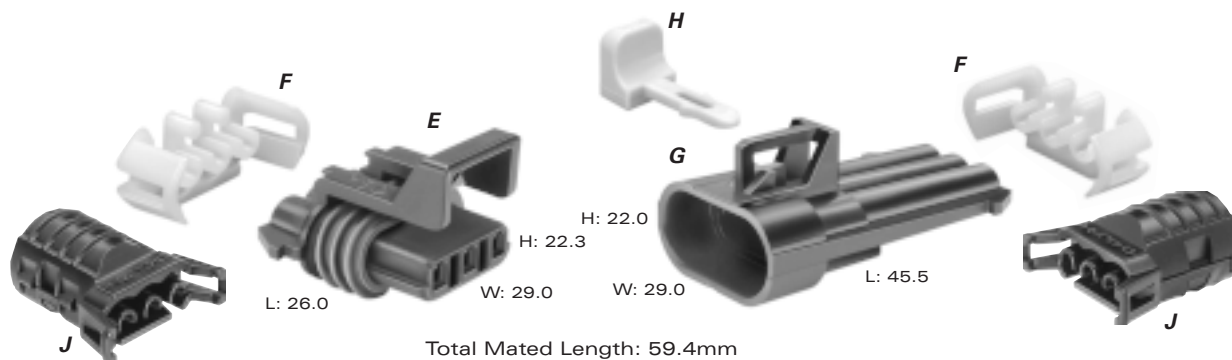
Total Mated Length: 58.5mm

**A** PART NO: **12052641 (Black)**  
**12052644 (Lt. Gray)**  
 DESCRIPTION: Connector Assembly 2F  
 SIZE: 26.0L x 18.6H x 23.0W  
 MATERIAL: PA66 HS IM  
 TERMINALS: See Page 66  
 SEALS/PLUGS: See Page 66, 67

**C** PART NO: **12162000 (Black)**  
**12162343 (Lt. Gray)**  
 DESCRIPTION: Connector 2M (Clip Slot-Self Locking)  
 SIZE: 45.5L x 18.6H x 23.0W  
 MATERIAL: PA66 HS IM  
 TERMINALS: See Page 67  
 SEALS/PLUGS: See Page 66, 67

**B** PART NO: **12052634**  
 DESCRIPTION: TPA  
 NUMBER REQ: 2  
 COLOR: Blue  
 MATERIAL: PA66 HS IM

**D** PART NO: **15327799 (Optional)**  
 DESCRIPTION: Conduit TPA  
 NUMBER REQ: 2  
 COLOR: Black  
 MATERIAL: PA6



Total Mated Length: 59.4mm

**E** PART NO: **12110293**  
 DESCRIPTION: Connector Assembly 3F  
 SIZE: 26.0L x 22.3H x 29.0W  
 COLOR: Black  
 MATERIAL: PA66 HS IM  
 TERMINALS: See Page 66  
 SEALS/PLUGS: See Page 66, 67

**G** PART NO: **12129615**  
 DESCRIPTION: Connector 3M (Clip Slot-Self Locking)  
 SIZE: 45.5L x 22.0H x 29.0W  
 COLOR: Black  
 MATERIAL: PA66 HS IM  
 TERMINALS: See Page 67  
 SEALS/PLUGS: See Page 66, 67

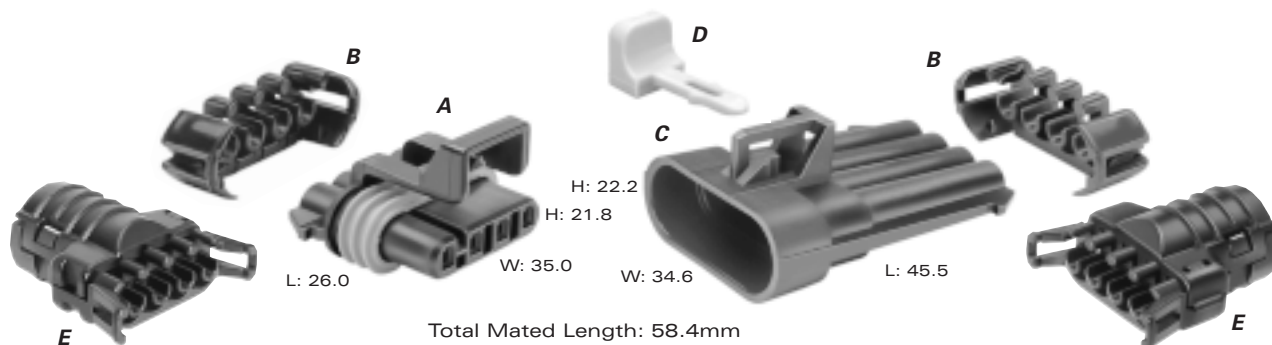
**F** PART NO: **12052845**  
 DESCRIPTION: TPA  
 NUMBER REQ: 2  
 COLOR: Natural  
 MATERIAL: PA66 HS IM

**H** PART NO: **12020833**  
 DESCRIPTION: CPA  
 COLOR: Gray  
 MATERIAL: PBT

**J** PART NO: **10740397 (Optional)**  
 DESCRIPTION: Conduit TPA  
 NUMBER REQ: 2  
 COLOR: Black  
 MATERIAL: PA6

<http://delphi.com/products/connect>





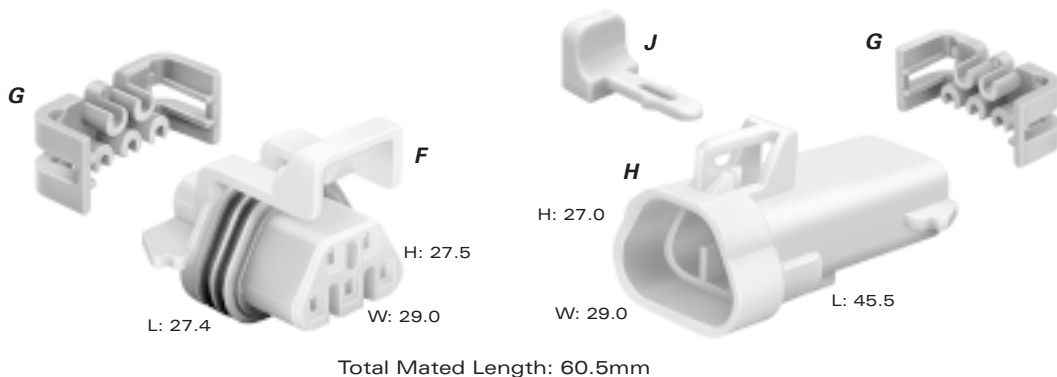
**A PART NO: 12162144**  
 DESCRIPTION: Connector Assembly 4F  
 SIZE: 26.0L x 21.8H x 35.0W  
 COLOR: Black  
 MATERIAL: PA66 HS IM  
 TERMINALS: See Page 66  
 SEALS/PLUGS: See Page 66, 67

**C PART NO: 12162102**  
 DESCRIPTION: Connector 4M (Clip Slot-Self Locking)  
 SIZE: 45.5L x 22.2H x 34.6W  
 COLOR: Black  
 MATERIAL: PBT 30% GF  
 TERMINALS: See Page 67  
 SEALS/PLUGS: See Page 66, 67

**B PART NO: 12047948**  
 DESCRIPTION: TPA  
 NUMBER REQ: 2  
 COLOR: Black  
 MATERIAL: PA66 HS IM

**D PART NO: 12020833**  
 DESCRIPTION: CPA  
 COLOR: Gray  
 MATERIAL: PBT

**E PART NO: 10719337 (Optional)**  
 DESCRIPTION: Conduit TPA  
 NUMBER REQ: 2  
 COLOR: Black  
 MATERIAL: PA6

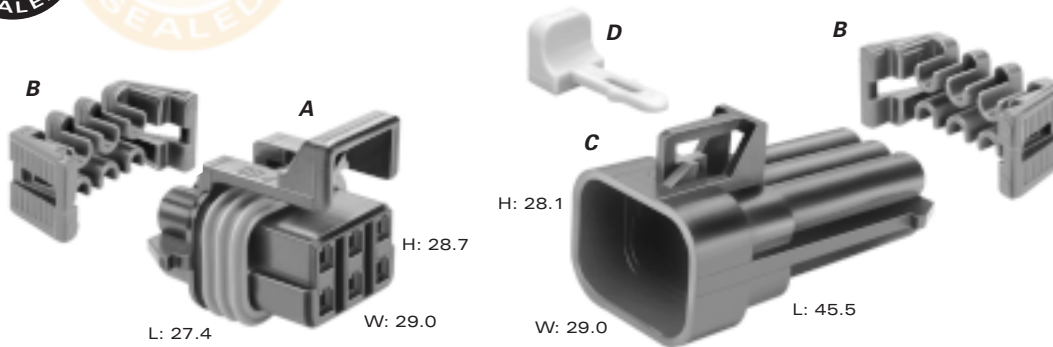


**F PART NO: 12146045**  
 DESCRIPTION: Connector Assembly 5F  
 SIZE: 27.4L x 27.5H x 29.0W  
 COLOR: Natural  
 MATERIAL: PA6  
 TERMINALS: See Page 66  
 SEALS/PLUGS: See Page 66, 67

**H PART NO: 12103974**  
 DESCRIPTION: Connector 5M  
 SIZE: 45.5L x 27.0H x 29.0W  
 COLOR: Natural  
 MATERIAL: PBT 30% GF  
 TERMINALS: See Page 67  
 SEALS/PLUGS: See Page 66, 67

**G PART NO: 12092844**  
 DESCRIPTION: TPA  
 NUMBER REQ: 2  
 COLOR: Blue  
 MATERIAL: PA6

**J PART NO: 12020833**  
 DESCRIPTION: CPA  
 COLOR: Gray  
 MATERIAL: PBT



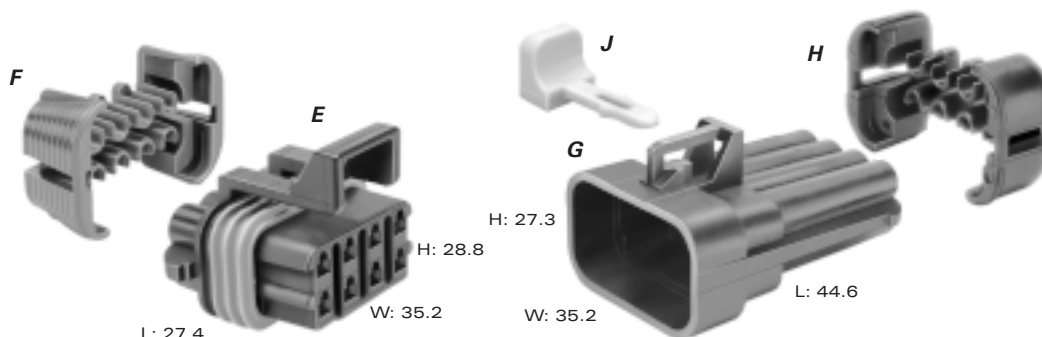
Total Mated Length: 60.5mm

**A PART NO: 12052848**  
 DESCRIPTION: Connector Assembly 6F  
 SIZE: 27.4L x 28.7H x 29.0W  
 COLOR: Black  
 MATERIAL: PA6  
 TERMINALS: See Page 66  
 SEALS/PLUGS: See Page 66, 67

**C PART NO: 12124107**  
 DESCRIPTION: Connector 6M (Clip Slot-Self Locking)  
 SIZE: 45.5L x 28.1H x 29.0W  
 COLOR: Black  
 MATERIAL: PA66 HS IM  
 TERMINALS: See Page 67  
 SEALS/PLUGS: See Page 66, 67

**B PART NO: 12052850**  
 DESCRIPTION: TPA  
 NUMBER REQ: 2  
 COLOR: Md. Gray  
 MATERIAL: PA6

**D PART NO: 12020833**  
 DESCRIPTION: CPA  
 COLOR: Gray  
 MATERIAL: PBT



Total Mated Length: 60.4mm

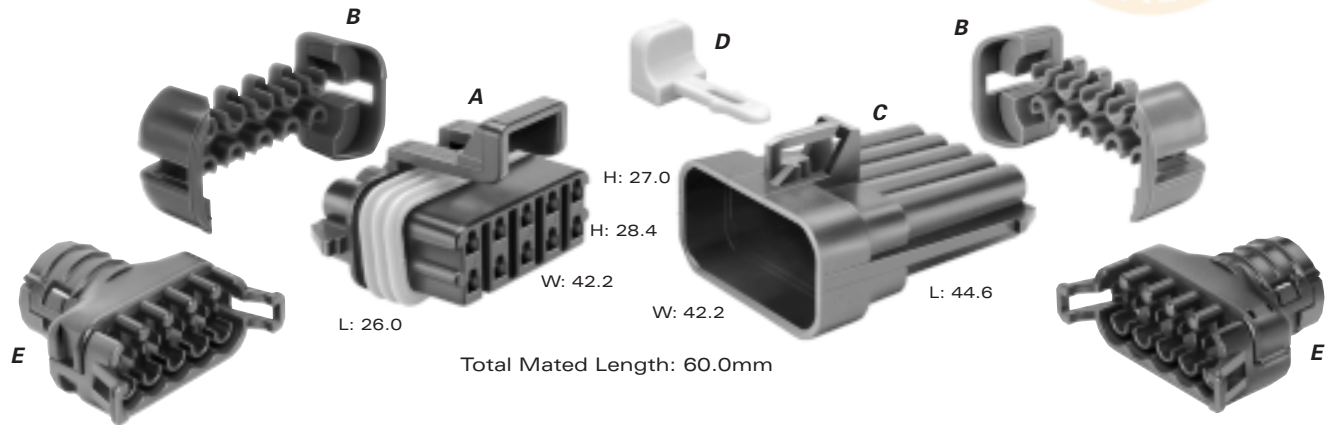
**E PART NO: 12047937 (Black)**  
 DESCRIPTION: Connector Assembly 8F  
**PART NO: 12047938 (Lt. Gray)**  
 DESCRIPTION: Connector Assembly 7F  
**PART NO: 12052600 (Md. Gray)**  
 DESCRIPTION: Connector Assembly 5F  
 SIZE: 27.4L x 28.8H x 35.2W  
 MATERIAL: PA66 HS IM  
 TERMINALS: See Page 66  
 SEALS/PLUGS: See Page 66, 67

**G PART NO: 12047931 (Black)**  
 DESCRIPTION: Connector 8M (Clip Slot)  
**PART NO: 12047933 (Lt. Gray)**  
 DESCRIPTION: Connector 7M (Clip Slot)  
**PART NO: 12052480 (Dk. Gray)**  
 DESCRIPTION: Connector 5M (Clip Slot)  
 SIZE: 44.6L x 27.3H x 35.2W  
 MATERIAL: PBT 30% GF  
 TERMINALS: See Page 67  
 SEALS/PLUGS: See Page 66, 67

**F PART NO: 12066304**  
 DESCRIPTION: TPA  
 COLOR: Md. Gray  
 MATERIAL: PA66 HS IM

**H PART NO: 15324525**  
 DESCRIPTION: TPA  
 COLOR: Black  
 MATERIAL: PBT

**J PART NO: 12020833**  
 DESCRIPTION: CPA  
 COLOR: Gray  
 MATERIAL: PBT



**A PART NO: 12065425 (Black)  
12065426 (Md. Gray)**

DESCRIPTION: Connector Assembly 10F  
 SIZE: 26.0L x 28.4H x 42.2W  
 MATERIAL: PA66 HS IM  
 TERMINALS: See Page 66  
 SEALS/PLUGS: See Page 66, 67

**B PART NO: 12124264**

DESCRIPTION: TPA  
 NUMBER REQ: 2  
 COLOR: Md. Gray  
 MATERIAL: PA6

**C PART NO: 12045808 (Black)  
12052189 (Lt. Gray)**

DESCRIPTION: Connector 10M (Clip Slot)  
 SIZE: 44.6L x 27.0H x 42.2W  
 MATERIAL: PBT 30% GF  
 TERMINALS: See Page 67  
 SEALS/PLUGS: See Page 66, 67

**D PART NO: 12020833**

DESCRIPTION: CPA  
 COLOR: Gray  
 MATERIAL: PBT

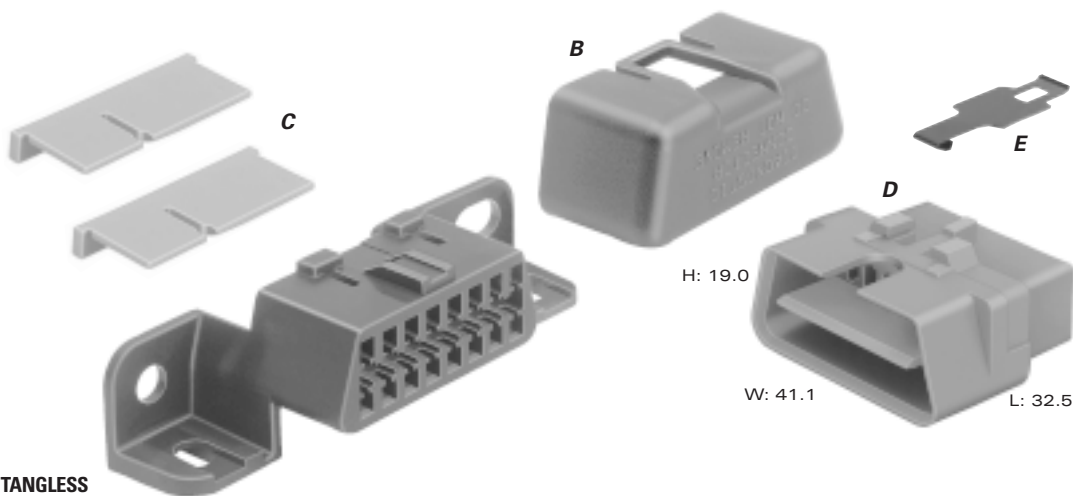
**E PART NO: 10719339 (Optional)**

DESCRIPTION: Conduit TPA  
 NUMBER REQ: 2  
 COLOR: Black  
 MATERIAL: PA6



**Metri-Pack OBD II**— On-Board Diagnostic Connection System

The On-Board Diagnostic Connection System is designed to meet SAE J1962 specifications using ISO standard male terminals. The **16 Terminal Male Test Equipment Connector** includes a nylon insulator with ISO standard copper alloy male terminals. The **Female Vehicle Connector** is designed for under dash application, and accepts 150 Series Metri-Pack tangless female terminals available in silicon bronze.



**A PART NO: 12110250**

DESCRIPTION: Connector 16F (Fastener Mounting)  
 SIZE: 27.0L x 23.2H x 69.1W  
**PART NO: 15317575**  
 DESCRIPTION: Connector 16F (Snap Mounting)  
 SIZE: 17.0L x 23.2H x 52.0W  
 COLOR: Black  
 MATERIAL: PA66 HS IM  
 TERMINALS: See Page 56

**D PART NO: 12110252**

DESCRIPTION: Connector 16M  
 SIZE: 32.5L x 19.0H x 41.1W  
 COLOR: Red  
 MATERIAL: PBT 30% GF  
 TERMINALS: See Page 57  
 NOTE: For molding details refer to drawing 12110256

**B PART NO: 12146933**

DESCRIPTION: Cover  
 COLOR: Black  
 MATERIAL: PP

**E PART NO: 12110254**

DESCRIPTION: Clip  
 MATERIAL: Stainless Steel

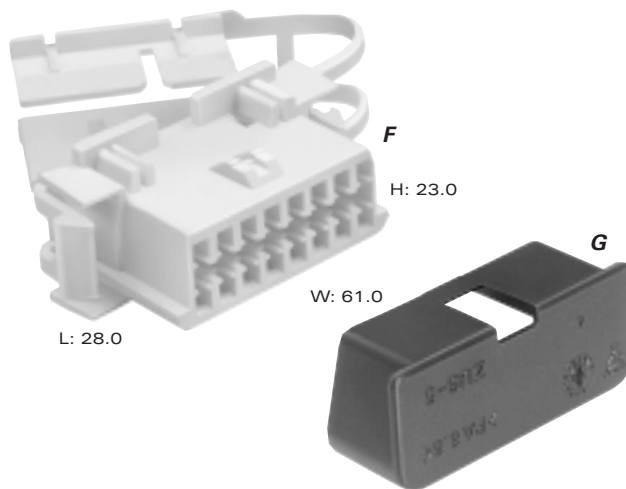
**C PART NO: 12160437**

DESCRIPTION: TPA  
 NUMBER REQ: 2  
 COLOR: Blue  
 MATERIAL: PA6



**F PART NO: 12185280**

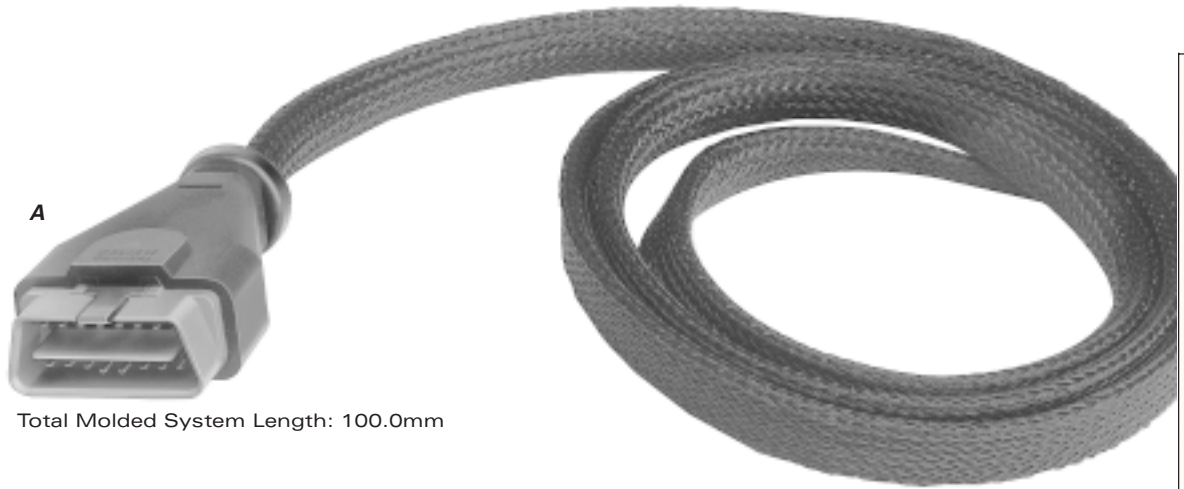
DESCRIPTION: Connector 16F  
 SIZE: 28.0L x 23.0H x 61.0W  
 COLOR: White  
 MATERIAL: PA66  
 TERMINALS: See Page 56



**G PART NO: 12185279**

DESCRIPTION: Cover  
 COLOR: Black  
 MATERIAL: PA66

<http://delphi.com/products/connect>

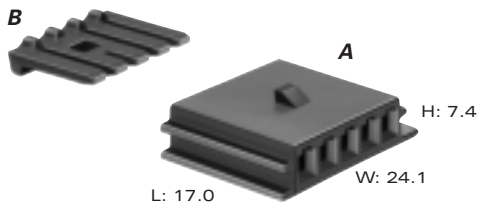


A

Total Molded System Length: 100.0mm

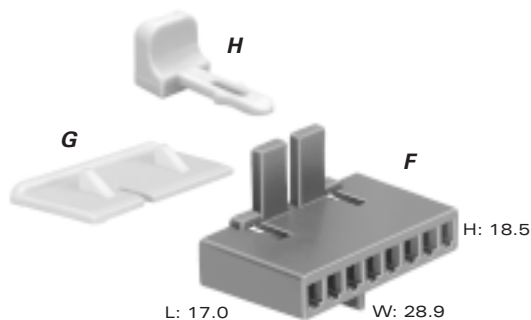
**A** DESCRIPTION: Connector Assembly 16M OBD II

PART NO:	<b>12143692</b>
LENGTH:	3 Feet (915mm)
PART NO:	<b>12143693</b>
LENGTH:	8 Feet (2440mm)
PART NO:	<b>12143694</b>
LENGTH:	12 Feet (3660mm)



**A PART NO: 12059800**  
DESCRIPTION: Connector 5F  
SIZE: 17.0L x 7.4H x 24.1W  
COLOR: Black  
MATERIAL: PA6  
TERMINALS: See Page 56  
TYPICAL APP: Motor

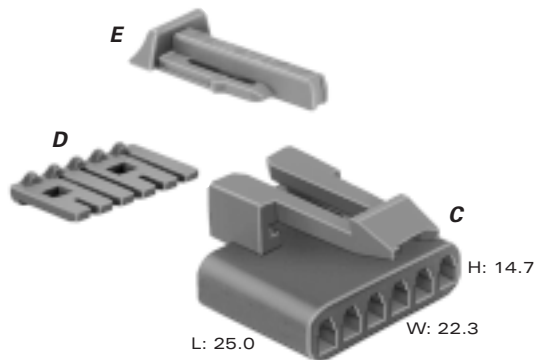
**B PART NO: 12059801**  
DESCRIPTION: TPA  
COLOR: Md. Gray  
MATERIAL: PA66 HS IM



**F PART NO: 12064862**  
DESCRIPTION: Connector 8F  
SIZE: 17.0L x 18.5H x 28.9W  
COLOR: Black  
MATERIAL: PBT  
TERMINALS: See Page 56  
TYPICAL APP: Mirror Switch

**G PART NO: 12064863**  
DESCRIPTION: TPA  
COLOR: Lt. Gray  
MATERIAL: PA6

**H PART NO: 12020833**  
DESCRIPTION: CPA  
COLOR: Gray  
MATERIAL: PBT

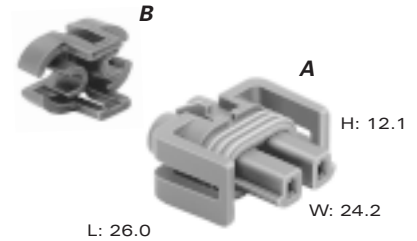


**C PART NO: 12064860**  
DESCRIPTION: Connector 6F  
SIZE: 25.0L x 14.7H x 22.3W  
COLOR: Black  
MATERIAL: PBT  
TERMINALS: See Page 56  
TYPICAL APP: Switch

**D PART NO: 12064861**  
DESCRIPTION: TPA  
COLOR: Md. Gray  
MATERIAL: PA66 HS IM

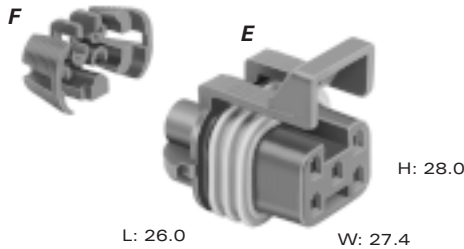
**E PART NO: 12052834**  
DESCRIPTION: CPA  
COLOR: Green  
MATERIAL: PP





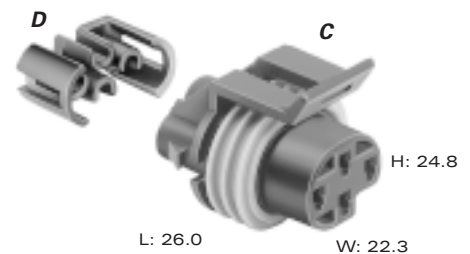
**A PART NO: 12162017**  
 DESCRIPTION: Connector Assembly 2F  
 SIZE: 26.0L x 12.1H x 24.2W  
 COLOR: Md. Gray  
 MATERIAL: PA66 HS IM  
 TERMINALS: See Page 66  
 SEALS/PLUGS: See Page 66, 67  
 TYPICAL APP: Compressor

**B PART NO: 12124824**  
 DESCRIPTION: TPA  
 COLOR: Black  
 MATERIAL: PA66 HS IM



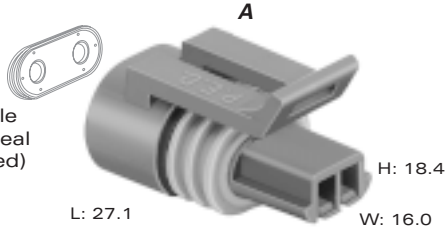
**E PART NO: 12077591**  
 DESCRIPTION: Connector Assembly 5F  
 SIZE: 26.0L x 28.0H x 27.4W  
 COLOR: Black  
 MATERIAL: PA66 HS IM  
 TERMINALS: See Page 66  
 SEALS/PLUGS: See Page 66, 67  
 TYPICAL APP: EGR Valve

**F PART NO: 12052898**  
 DESCRIPTION: TPA  
 COLOR: Black  
 MATERIAL: PA66 HS IM

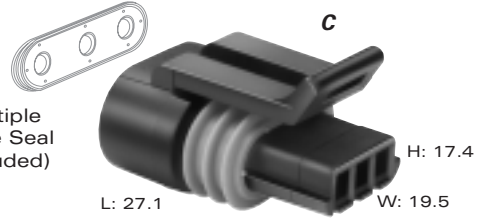


**C PART NO: 12065298**  
 DESCRIPTION: Connector Assembly 4F  
 SIZE: 26.0L x 24.8H x 22.3W  
 COLOR: Black  
 MATERIAL: PA66 HS IM  
 TERMINALS: See Page 66  
 SEALS/PLUGS: See Page 66, 67  
 TYPICAL APP: Switch

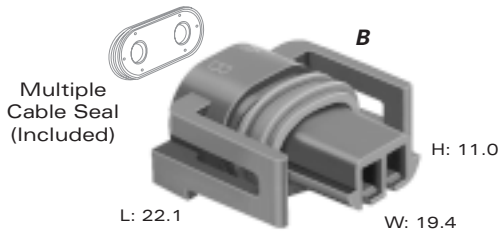
**D PART NO: 12066176**  
 DESCRIPTION: TPA  
 COLOR: Black  
 MATERIAL: PA66 HS IM



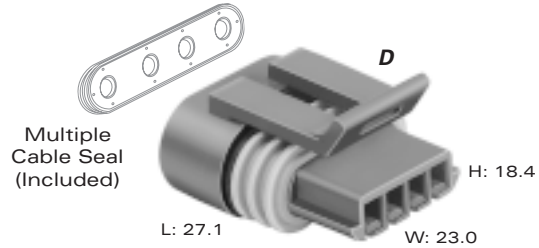
- A** PART NO: **12162193 (Black/Green Seal)**  
2.66 -2.00 Cable O.D.
- PART NO: **12162197 (Gray/Green Seal)**  
2.66 -2.00 Cable O.D.
- PART NO: **12162194 (Black/Tan Seal)**  
2.15 -1.65 Cable O.D.
- PART NO: **12162198 (Gray/Tan Seal)**  
2.15 -1.65 Cable O.D.
- PART NO: **12162195 (Black/Orange Seal)**  
1.85 -1.47 Cable O.D.
- PART NO: **12162199 (Gray/Orange Seal)**  
1.85 -1.47 Cable O.D.
- DESCRIPTION: Connector Assembly 2F  
SIZE: 27.1L x 18.4H x 16.0W  
MATERIAL: PA66 HS IM  
TERMINALS: See Page 66  
TYPICAL APP: Temperature Sensors



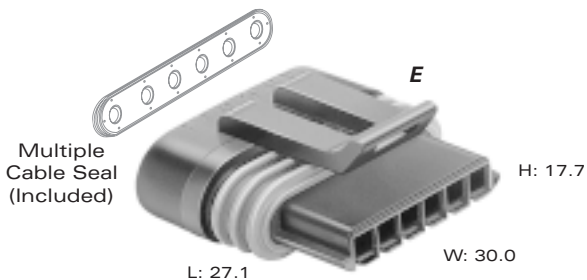
- C** PART NO: **12162182 (Black/Green Seal)**  
2.66 -2.00 Cable O.D.
- PART NO: **12162280 (Gray/Green Seal)**  
2.66 -2.00 Cable O.D.
- PART NO: **12162185 (Black/Lt. Gray Seal)**  
2.15 -1.65 Cable O.D.
- PART NO: **12162279 (Gray/Lt. Gray Seal)**  
2.15 -1.65 Cable O.D.
- DESCRIPTION: Connector Assembly 3F  
SIZE: 27.1L x 17.4H x 19.5W  
MATERIAL: PA66 HS IM  
TERMINALS: See Page 66  
TYPICAL APP: Crankshaft Sensor



- B** PART NO: **12162215 (Black/Brown Seal)**  
2.66 -2.00 Cable O.D.
- PART NO: **12162216 (Black/Lt. Gray Seal)**  
2.66 -2.00 Cable O.D.
- PART NO: **12162217 (Black/Gray Seal)**  
2.15 -1.65 Cable O.D.
- PART NO: **12162218 (Gray/Yellow Seal)**  
2.15 -1.65 Cable O.D.
- DESCRIPTION: Connector Assembly 2F  
SIZE: 22.1L x 11.0H x 19.4W  
MATERIAL: PA66 HS IM  
TERMINALS: See Page 66  
TYPICAL APP: Throttle Body Injector



- D** PART NO: **12162188 (Black/Green Seal)**  
2.66 -2.00 Cable O.D.
- PART NO: **12162191 (Black/Blue Seal)**  
2.45 -2.00 Cable O.D.
- PART NO: **12162189 (Black/Tan Seal)**  
2.15 -1.65 Cable O.D.
- PART NO: **12162190 (Black/Orange Seal)**  
1.85 -1.47 Cable O.D.
- DESCRIPTION: Connector Assembly 4F  
SIZE: 27.1L x 18.4H x 23.0W  
MATERIAL: PA66 HS IM  
TERMINALS: See Page 66  
TYPICAL APP: Distributor Module



- E** PART NO: **12162210 (Black/Green Seal)**  
2.66 -2.00 Cable O.D.
- PART NO: **12162260 (Black/Tan Seal)**  
2.15 -1.65 Cable O.D.
- PART NO: **12162261 (Black/Lt. Gray Seal)**  
1.85 -1.47 Cable O.D.
- DESCRIPTION: Connector Assembly 6F  
SIZE: 27.1L x 17.7H x 30.0W  
MATERIAL: PA66 HS IM  
TERMINALS: See Page 66  
TYPICAL APP: Various

## X-ON Electronics

Largest Supplier of Electrical and Electronic Components

*Click to view similar products for [Automotive Connectors](#) category:*

*Click to view products by [APTIV](#) manufacturer:*

Other Similar products are found below :

[003-018-000](#) [60403001](#) [60993906-B](#) [M902-2131](#) [M902-2161](#) [72.330.1035.1](#) [73.353.4028.0](#) [F119300-B](#) [F166900](#) [F258300-B](#) [F358300-B](#)  
[F407400](#) [F444110](#) [F487000](#) [F509500B-B](#) [827153-1](#) [8N1515-32-24P](#) [9-1326729-8](#) [925474-1](#) [928905-1](#) [964562-4](#) [968782-1](#) [GT17SA-8DS-](#)  
[HU](#) [98891-1012](#) [98947-1016](#) [12004475-L](#) [12010290](#) [12010309-B](#) [12015454](#) [12020219-B](#) [12020308](#) [12041318-B](#) [12052225-L](#) [12052466](#)  
[12059125](#) [12064869](#) [12004327-B](#) [12010503-B](#) [12015308](#) [12015384](#) [12015909](#) [1-21030-1](#) [12041254](#) [12041318](#) [12047946-B](#) [12047957](#)  
[12047957-L](#) [12059473](#) [12066261](#) [12110546](#)