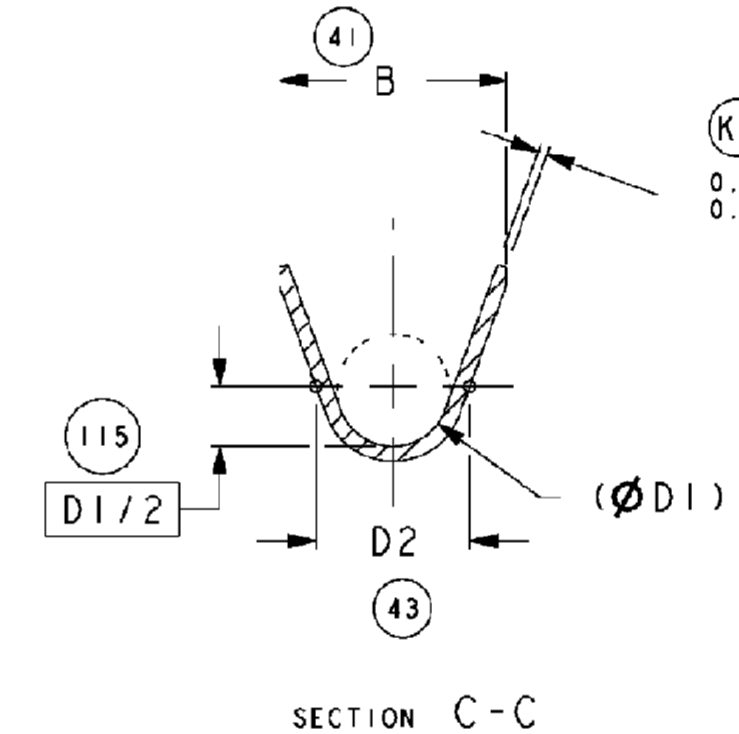
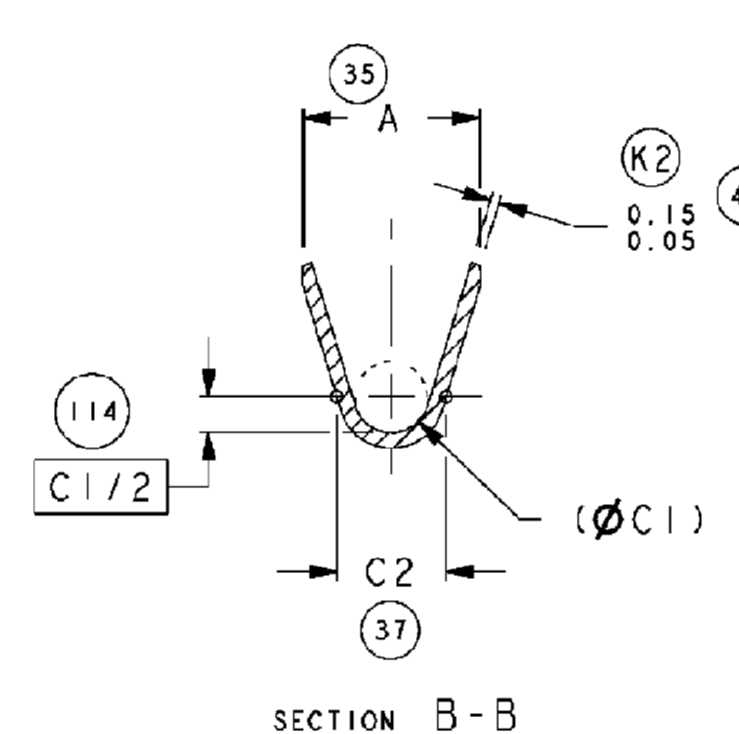
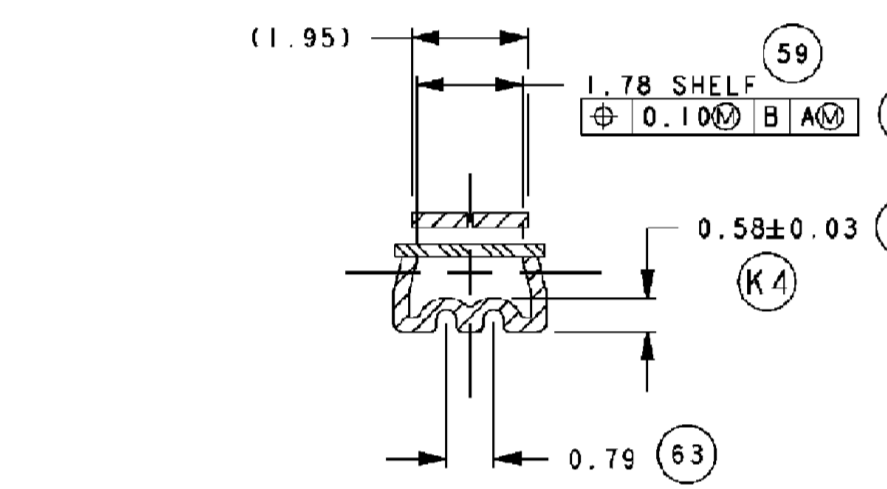
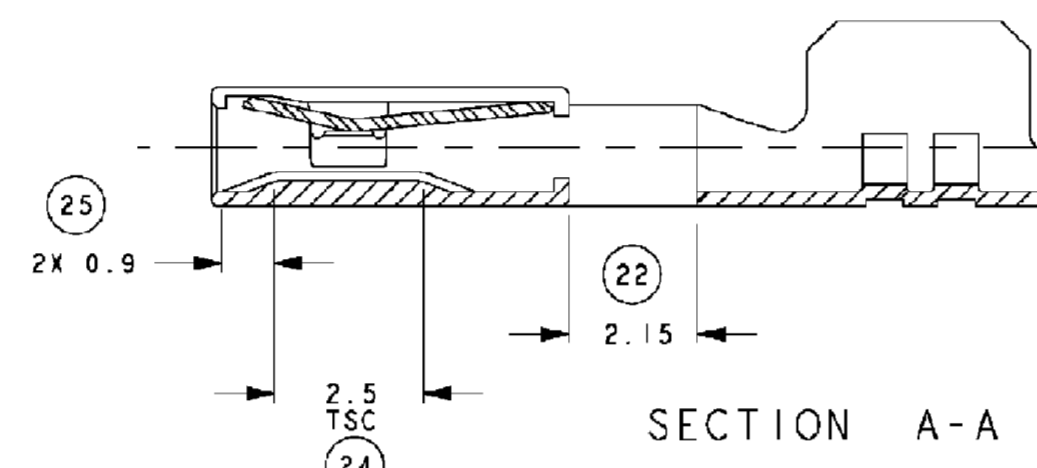
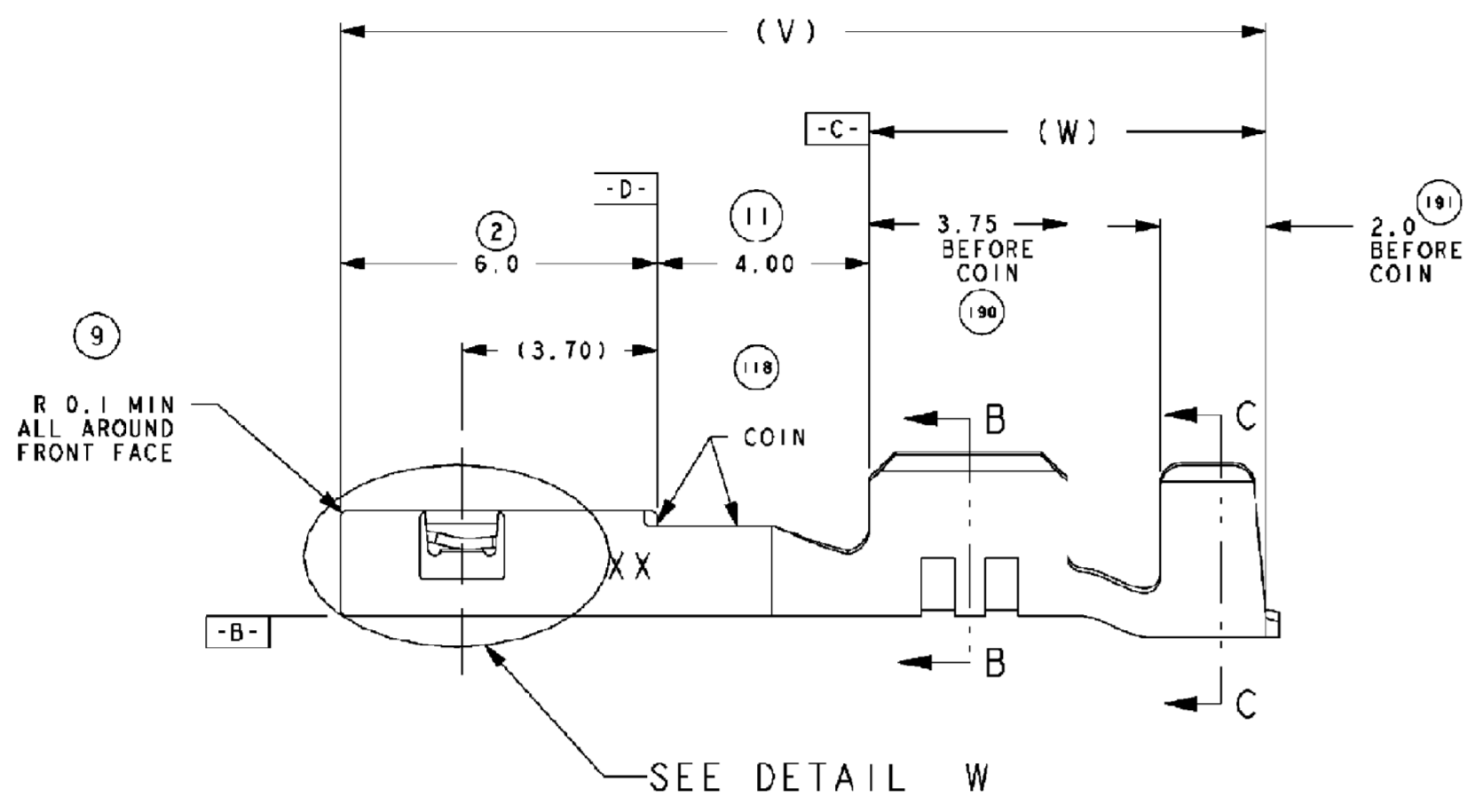
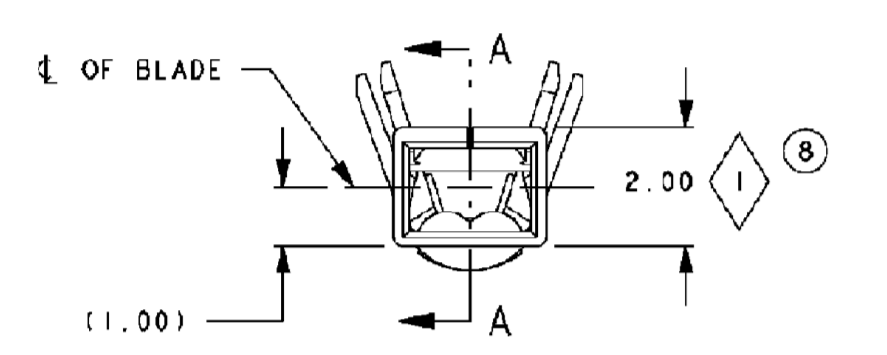
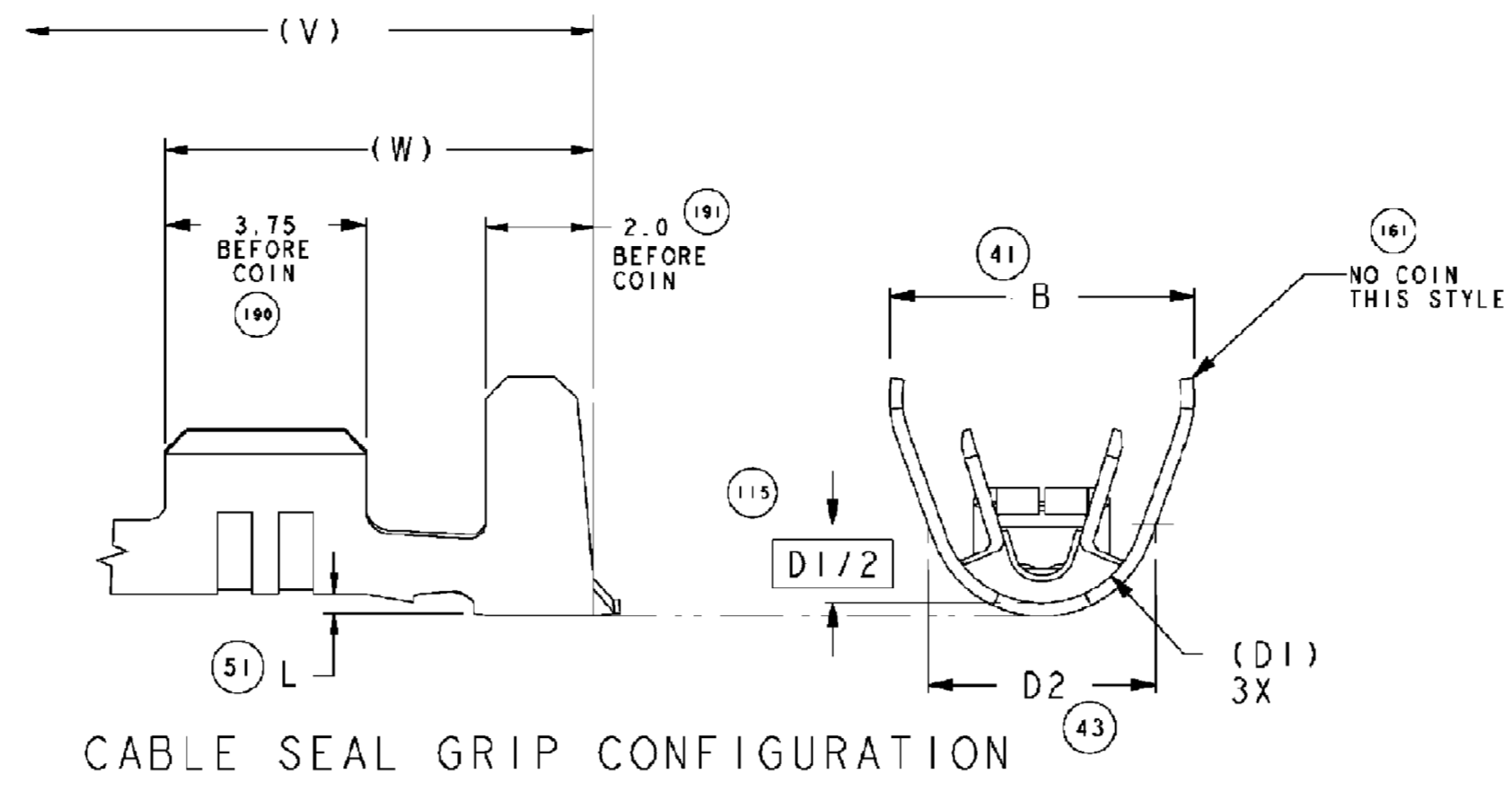
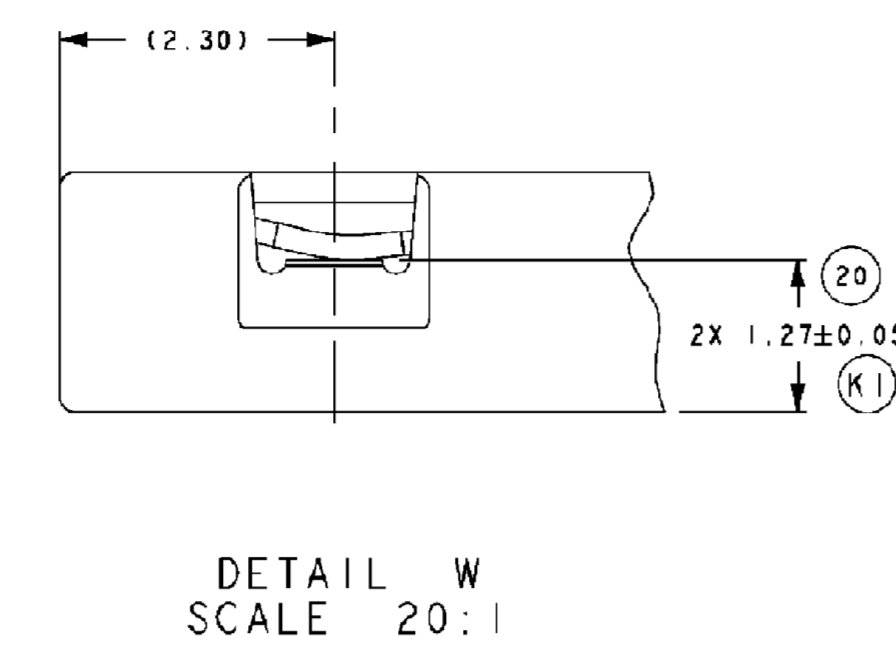


CABLE SEAL GRIP CONFIGURATION



GENERAL NOTES:

◇ QUALITY ASSURANCE REQUIREMENTS  
SPC DATA REQUIRED: 1

(K) INDICATES IN-PROCESS INSPECTION FOR MANUFACTURING DIMENSIONS OR SPECIFICATIONS: :S (K'S NOT USED)

(1) MATERIAL TYPE 1  
TERMINAL: 0.254 ± 0.008 C19210 TO ASTM B465  
100% ELECTRO MATTIE TIN PLATED  
0.002770 00254 THICK  
TENSILE STRENGTH: 414-493Mpa  
YIELD STRENGTH: 414Mpa MIN.  
ELONGATION IN 51mm: 2% MIN.

(2) MATERIAL TYPE 2  
SPRING: 0.203 ± 0.008 C17200 TO ASTM B194  
100% ELECTRO MATTIE TIN PLATED  
0.002770 00254 THICK  
TENSILE STRENGTH: 1070-207Mpa  
YIELD STRENGTH: 930Mpa MIN.  
ELONGATION IN 51mm: 4% MIN.

(3) MATERIAL TYPE 3  
TERMINAL: 0.254 ± 0.008 C19210 TO ASTM B465  
BASE FOR GOLD PLATED PRE-FORMED PARTS.  
0.002770 00254 THICK  
TENSILE STRENGTH: 414-493Mpa  
YIELD STRENGTH: 414Mpa MIN.  
ELONGATION IN 51mm: 2% MIN.

(4) MATERIAL TYPE 4  
NOT USED AT THIS TIME

(5) MATERIAL TYPE 5  
SPRING: 0.203 ± 0.008 C17200 TO ASTM B194  
100% SULFAMINE DUCTILE NICKEL TO ASTM B889 TYPE 2  
0.002770 00254 THICK  
TENSILE STRENGTH: 1070-207Mpa  
YIELD STRENGTH: 930Mpa MIN.  
ELONGATION IN 51mm: 4% MIN.

APEX 1.5mm TERMINAL IS SYMMETRICAL ABOUT CENTERLINE AND CAN BE INSERTED 180°

42002214	54002226	22	----	22	YES	NO	2.6	4.3	0.8	1.37	2.6	3.25	0.75	8.0	8.00	(5.35)	(8.90)	0.35/0.50
54001826	54001837	18,20	----	18	YES	NO	3.0	4.7	1.2	1.81	3.0	3.6	0.85	8.0	8.00	(6.70)	(10.20)	0.75/1.25
54001417	54001428	14,16	----	14	YES	NO	3.0	5.7	1.4	2.03	3.0	4.32	1.05	8.0	8.00	(8.90)	(10.20)	1.50/2.50
54002215	54002220	22	35,38	22	NO	YES	2.6	3.0	0.8	1.37	1.4	2.03	0.40	7.5	7.50	(5.35)	(7.50)	0.35/0.50
54001823	54001831	18,20	16,18,23	18	NO	YES	3.0	3.8	1.2	1.81	1.8	2.36	0.40	7.5	7.50	(6.70)	(7.50)	0.75/1.25
54001414	54001422	14,16	11,13	14	NO	YES	3.8	4.7	1.4	2.03	2.3	2.92	0.40	7.5	7.50	(8.90)	(9.40)	1.50/2.50

ID STAMP	PLATING TYPE	GS	AWG WIRE GAGE	METRIC WIRE GAGE	GRIP CODE	CABLE SEAL	INSULATED END BECL	A	B	(ØC1)	C2	(ØD1)	D2	L	V	W	CONDUCTOR WING BLANK	INSULATION WING BLANK	METRIC WIRE RANGE	
Z	ELECTRO TIN	60°D SPOT STRIPE																		

54001422	E	15548858	O1		M6591AXO	M6570HB6	15540783	O1	AA	M6591AXO	M6588ABO	M6572H91
54001414	E	15521507	O1	AA	M6573H91	M6569HB6	-	-	-	-	-	-
54001823	E	13679770	O1	AC	M6573H91	M6569HB6	-	-	-	-	-	-
54002215	E	15521509	O1	AA	M6573H91	M6569HB6	-	-	-	-	-	-
54001831	E	13568783	O1	AC	M6591AXO	M6570HB6	15540783	O1	AA	M6591AXO	M6588ABO	M6572H91
54001831RWC	E	15521511	O1	AA	J3568783	-	-	-	-	-	-	-
54002220	E	15504561	O1	AA	M6591AXO	M6570HB6	15540783	O1	AA	M6591AXO	M6588ABO	M6572H91
54002220RWA	E	33517385	O1	AA	15504561	-	-	-	-	-	-	-

PART NUMBER	REV	PART NUMBER	REV	N/P	BASE MAT'L SPEC OR MADE FROM PART NUMBER	SPRING MAT'L SPEC	PLATED PARTIALLY NOTCHED, FORMED RIBS PART NUMBER	REV	N/P	PLATED PARTIALLY NOTCHED, FORMED RIBS MAT'L SPEC	PARTIALLY NOTCHED, FORMED RIBS MAT'L SPEC	UNPLATED MAT'L SPEC
MVL										PREPROCESS PLATING INFORMATION		

NOTES

1. UNLESS OTHERWISE SPECIFIED AND/OR INDICATED:  
DIMENSIONS ARE TO FACE OF VIEW SHOWN AND AUTOMATICALLY ROUNDED BY COMPUTER FOR INSPECTION (SEE MATH MODEL FOR PRECISE DIMENSIONS). FOR ALL OTHER DIMENSIONS NOT SHOWN BUT REQUIRED FOR TOOL BUILD, SEE MATH MODEL FOR PRECISE TOOL PATH DATA.

2. SEE 13589458 FOR 1.2 TERMINAL.

REV	DATE	DESCRIPTION		
1000	ALL	E	04/16/11	INITIAL DRAWING RELEASED
1100	ALL	D	10/12/16	REVISIONS TO DRAWING TO ADD METRIC WIRE RANGE
1040	ALL	C	5/29/08	REVISIONS TO DRAWING TO ADD METRIC WIRE RANGE

**DELPHI**  
DELPHI PACKARD ELECTRICAL/ELECTRONIC ARCHITECTURE

THIS DRAWING IS THE PROPERTY OF DELPHI CORPORATION AND CONTAINS DELPHI CONFIDENTIAL INFORMATION. THE REPRODUCTION, DISTRIBUTION AND UTILIZATION OF THIS DOCUMENT OR ITS RELATED CAD DATA, AS WELL AS COMMUNICATION OF ANY CONTENT TO OTHERS, WITHOUT EXPRESS AUTHORIZATION, IS PROHIBITED.

DATE: 05-09-14

SCALE: 4:1

FRAME NO: 1 OF 2

SHEET NO: 1 OF 2

REV: R 05

13949867

DATE: 05-09-14

## X-ON Electronics

Largest Supplier of Electrical and Electronic Components

*Click to view similar products for [Automotive Connectors](#) category:*

*Click to view products by [APTIV](#) manufacturer:*

Other Similar products are found below :

[003-018-000](#) [60403001](#) [60993906-B](#) [629515004020001](#) [M902-2131](#) [M902-2161](#) [72.330.1035.1](#) [73.353.4028.0](#) [F119300-B](#) [F166900](#)  
[F258300-B](#) [F358300-B](#) [F407400](#) [F444110](#) [F487000](#) [F509500B-B](#) [827153-1](#) [8N1515-32-24P](#) [9-1326729-8](#) [925474-1](#) [928905-1](#) [964562-4](#)  
[968782-1](#) [GT17SA-8DS-HU](#) [98891-1012](#) [98947-1016](#) [12004475-L](#) [12010290](#) [12010309-B](#) [12015454](#) [12020219-B](#) [12020308](#) [12041318-B](#)  
[12052225-L](#) [12052466](#) [12059125](#) [12064869](#) [12004327-B](#) [12010503-B](#) [12015308](#) [12015384](#) [12015909](#) [1-21030-1](#) [12041254](#) [12041318](#)  
[12047946-B](#) [12047957](#) [12047957-L](#) [12059473](#) [12066261](#)