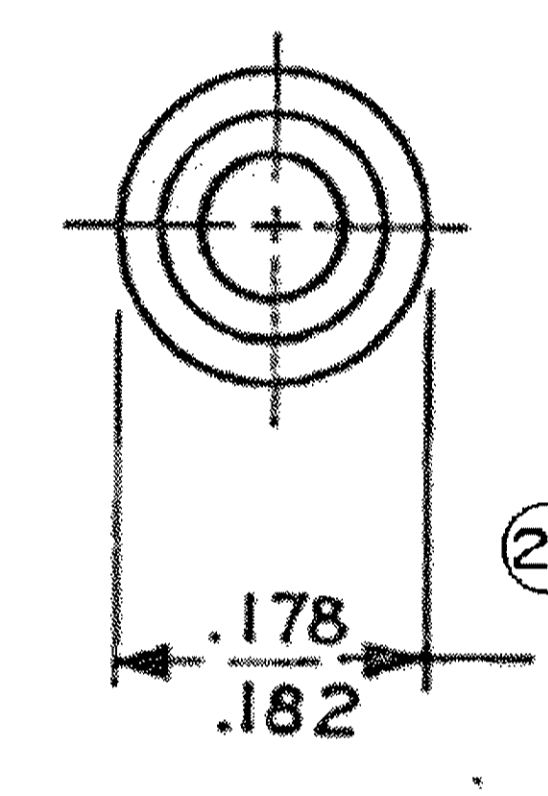
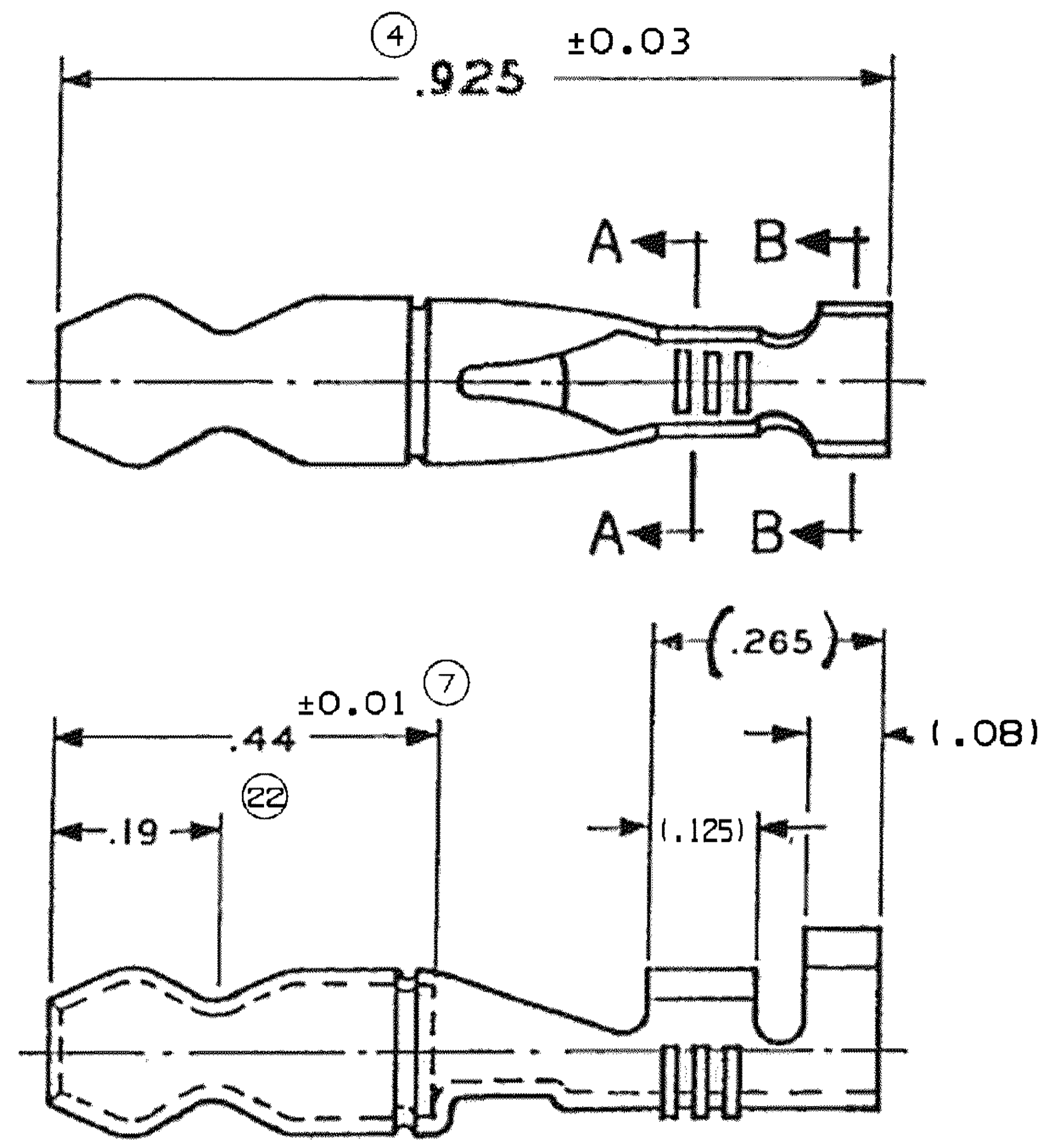
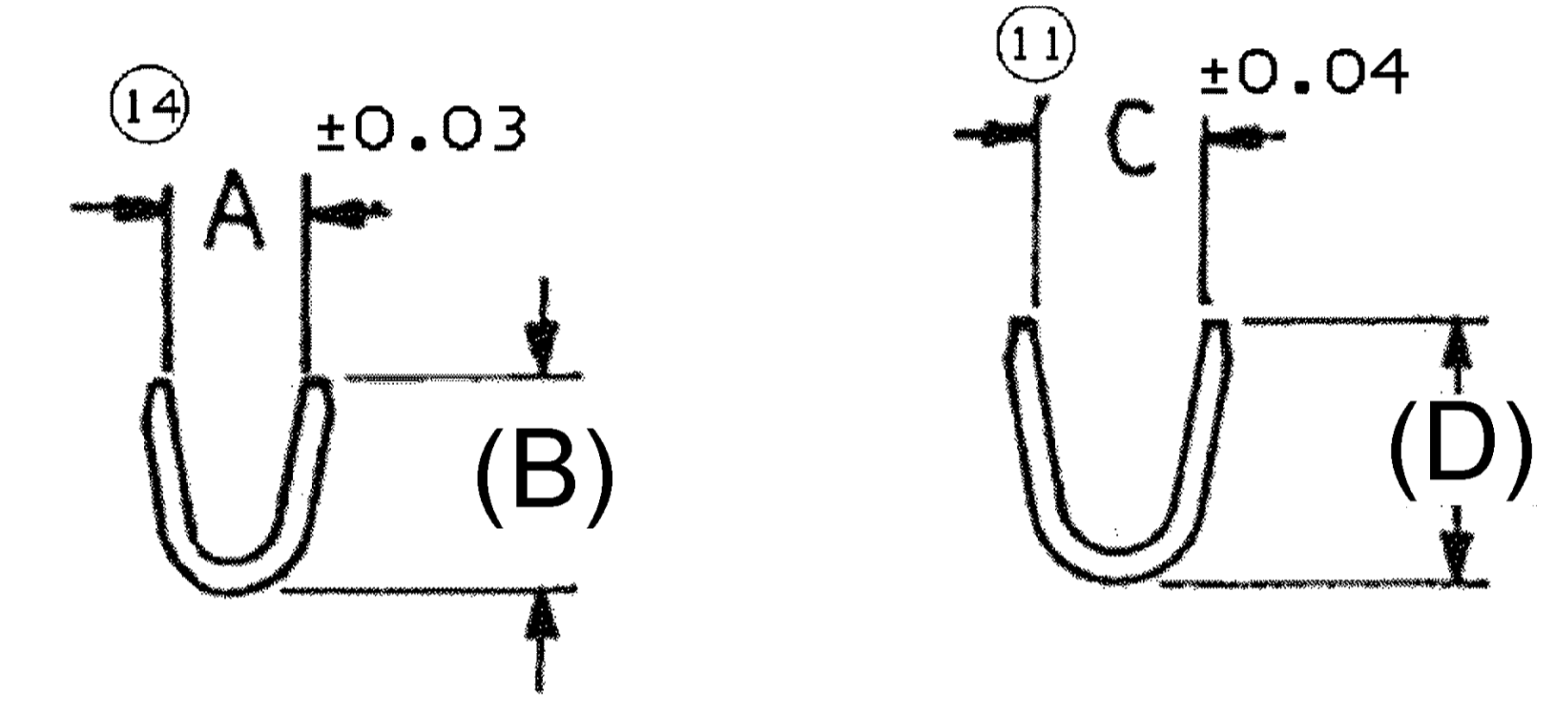


DWG STATUS				REVISION HISTORY				AUTH	DR	APVD
DATE	STG	REV	N/P	CHG	ZONE					
04FE14	R	02	-	-				425404	CDD	JAA BC
ALL PARTS - RELEASED PART DRAWING AND ADDED INSPECTION SYMBOL BALLOONS										

PART N ^o	A	B	C	D	MAT'L.
RB1618 1	.10	.13	.16	.19	BRASS
RB1218 1	.15	.17	.21	.22	BRASS
RB2018 1	.09	.10	.14	.13	BRASS
RB1618 2	.10	.13	.16	.19	TIN BRASS
RB1218 2	.13	.17	.19	.23	TIN BRASS
RB2018 2	.10	.13	.19	.23	TIN BRASS



23 3 SERRATIONS .008 ±.005 DEEP EQUALLY SPACED



SECTION A-A SECTION B-B

PROG.-.587 SIDE FEED

MAT'L. BRASS .020 THK.

LAST BALLOON: 23
MISSING BALLOON: 1-3, 5, 6, 8-10, 12, 13, 15-20

UNLESS OTHERWISE SPECIFIED

TOL.	MM	INCHES
1 PLACE	±0.25	±.010
2 PLACES	±0.15	±.005
ANGLE	±1°	±1°

DESCRIPTION BULLET TERMINAL	
SCALE 3:1	PART NO. RB 1618-1
DR. T. LORTON	CHARTED
DATE 17 DEC.71	J-045
TOL.	

NOTES
1. UNLESS OTHERWISE SPECIFIED AND/OR INDICATED:
DIMENSIONS ARE TO FACE OF VIEW SHOWN AND AUTOMATICALLY ROUNDED BY COMPUTER FOR INSPECTION (SEE MATH MODEL FOR PRECISE DIMENSIONS). FOR ALL OTHER DIMENSIONS NOT SHOWN BUT REQUIRED FOR TOOL BUILD, SEE MATH MODEL FOR PRECISE TOOL PATH DATA.

MVL PART NUMBER	REV	DELPHI PART NUMBER	REV	N/P	MAT'L SPEC
RB-1618-2	A	15518314	01	AA	M6579J01
RB-1618-1	A	15518440	01	AA	M1514J01
RB-1218-2	A	15518441	01	AA	M6579J01
RB-2018-2	A	15518442	01	AA	M6579J01

DELPHI
DELPHI PACKARD ELECTRICAL/ELECTRONIC ARCHITECTURE
WARREN, OH
COPYRIGHT 2014 DELPHI CORPORATION AND/OR ITS AFFILIATES. ALL RIGHTS RESERVED.

THIS DRAWING IS THE PROPERTY OF DELPHI CORPORATION AND CONTAINS DELPHI CONFIDENTIAL INFORMATION. THE REPRODUCTION, DISTRIBUTION AND UTILIZATION OF THIS DOCUMENT OF ITS RELATED CAD DATA, AS WELL AS COMMUNICATION OF ANY CONTENT TO OTHERS, WITHOUT EXPRESS AUTHORIZATION, IS PROHIBITED.

OR DATE

APV01 CARLOS DELGADILLO 04FE14
APV02 J.S. ALVARADO 04FE14
APV03 BOB CUE 04FE14
APV04

SUBSTANCES OF CONCERN AND RECYCLED CONTENT PER DELPHI 10949001

MATERIAL SEE CHART

DRAWING NAME
ASM TERM MIXED UNKN

DRAWING NUMBER
15521593

SIZE A0 SCALE 1 OF 1 SHEET NO 1 OF 1 STG REV N/P R 02 -

UNLESS OTHERWISE SPECIFIED
THIS DOCUMENT IS IN ACCORDANCE WITH ASME Y14.5M-1994 AS MODIFIED BY THE 2018 SUPPLEMENT AND TELEPHONING ADDRESS-2021. SEPARATE PATTERNS OF FEATURES MAY BE ORDERED SEPARATELY REGARDLESS OF DATUM REFERENCES.

ALL DIMENSIONS ARE IN INCHES

REFERENCE

THIRD ANGLE PROJECTION
DO NOT SCALE
USE MATH DATA

TOLERANCE UNLESS OTHERWISE SPECIFIED:
DECIMAL: ANGULAR ±2°
TWO PLACE SEE DRAWING
THREE PLACE SEE DRAWING

X-ON Electronics

Largest Supplier of Electrical and Electronic Components

Click to view similar products for [Automotive Connectors](#) category:

Click to view products by [APTIV](#) manufacturer:

Other Similar products are found below :

[003-018-000](#) [60403001](#) [60993906-B](#) [629515004020001](#) [M902-2131](#) [M902-2161](#) [72.330.1035.1](#) [73.353.4028.0](#) [F119300-B](#) [F166900](#)
[F258300-B](#) [F358300-B](#) [F407400](#) [F444110](#) [F487000](#) [F509500B-B](#) [827153-1](#) [8N1515-32-24P](#) [9-1326729-8](#) [925474-1](#) [928905-1](#) [964562-4](#)
[968782-1](#) [GT17SA-8DS-HU](#) [98891-1012](#) [98947-1016](#) [12004475-L](#) [12010290](#) [12010309-B](#) [12015454](#) [12020219-B](#) [12020308](#) [12041318-B](#)
[12052225-L](#) [12052466](#) [12059125](#) [12064869](#) [12004327-B](#) [12010503-B](#) [12015308](#) [12015384](#) [12015909](#) [1-21030-1](#) [12041254](#) [12041318](#)
[12047946-B](#) [12047957](#) [12047957-L](#) [12059473](#) [12066261](#)