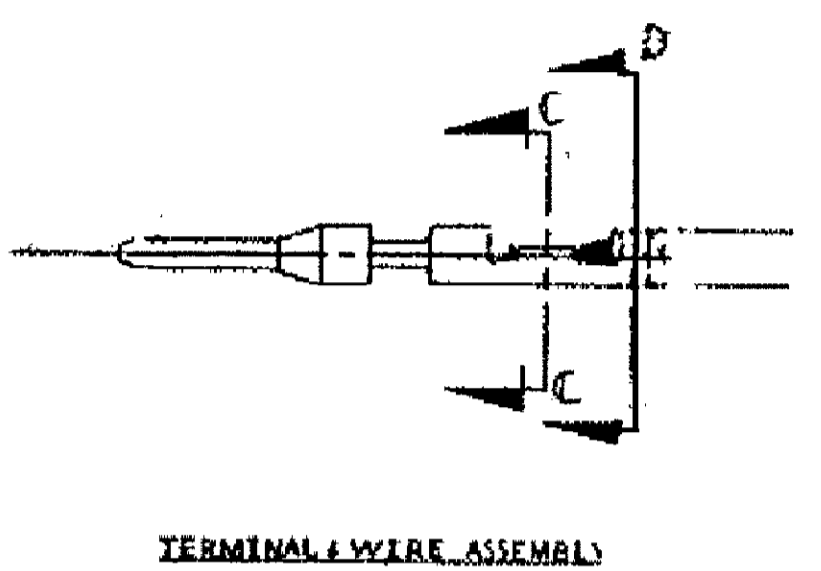
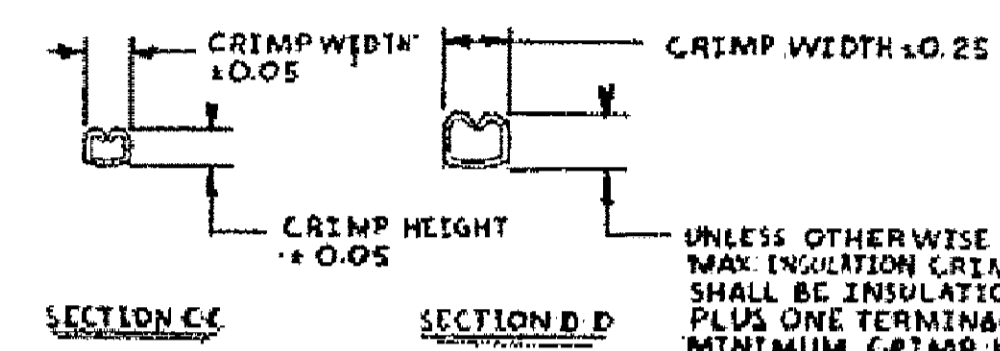


DATE	STG	REV	N/P	CHG	ZONE	REVISION HISTORY	AUTH	DR	APVD	APVD
08JUL13	R	01	-	-	-	ALL PARTS - RELEASED TOOL QUALIFICATION DRAWING	423197	CDD	JAA	RLO
05AUI3	R	02	-	-	-	33110320 - RELEASED	423477	CDD	JAA	RLO



TERMINAL WIRE ASSEMBLY
4 - SIZE



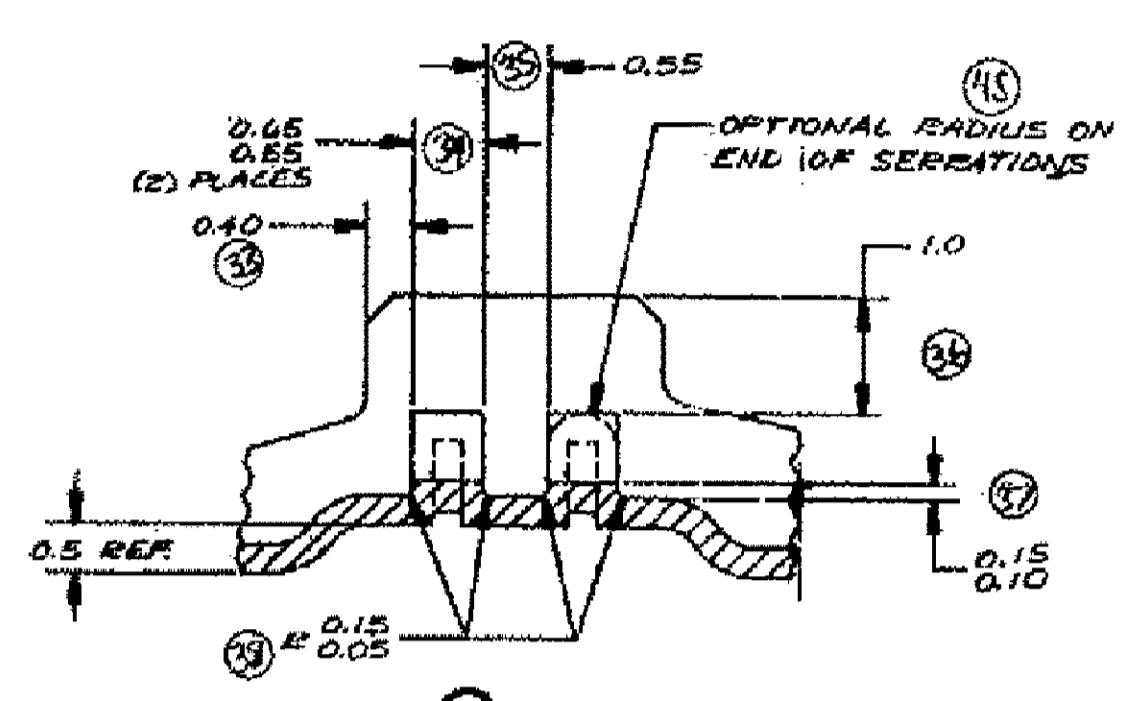
SECTION C
SECTION D

CRIMP WIDTH
1.005

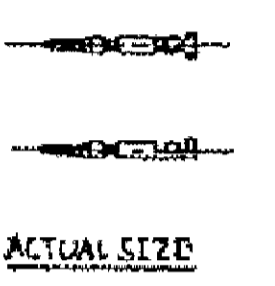
CRIMP HEIGHT
0.005

CRIMP WIDTH ±0.25

UNLESS OTHERWISE SPECIFIED
MAX INSULATION CRIMP HEIGHT
SHALL BE INSULATION DIAMETER
PLUS ONE TERMINAL METAL THICKNESS
MINIMUM CRIMP HEIGHT SHALL BE
0.25 ± INSULATION DIAMETER
OF WIRE PLUS ONE TERMINAL
METAL THICKNESS.

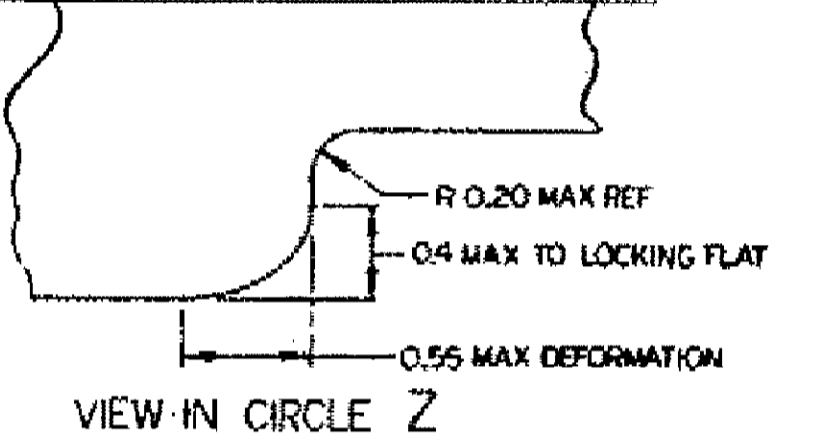
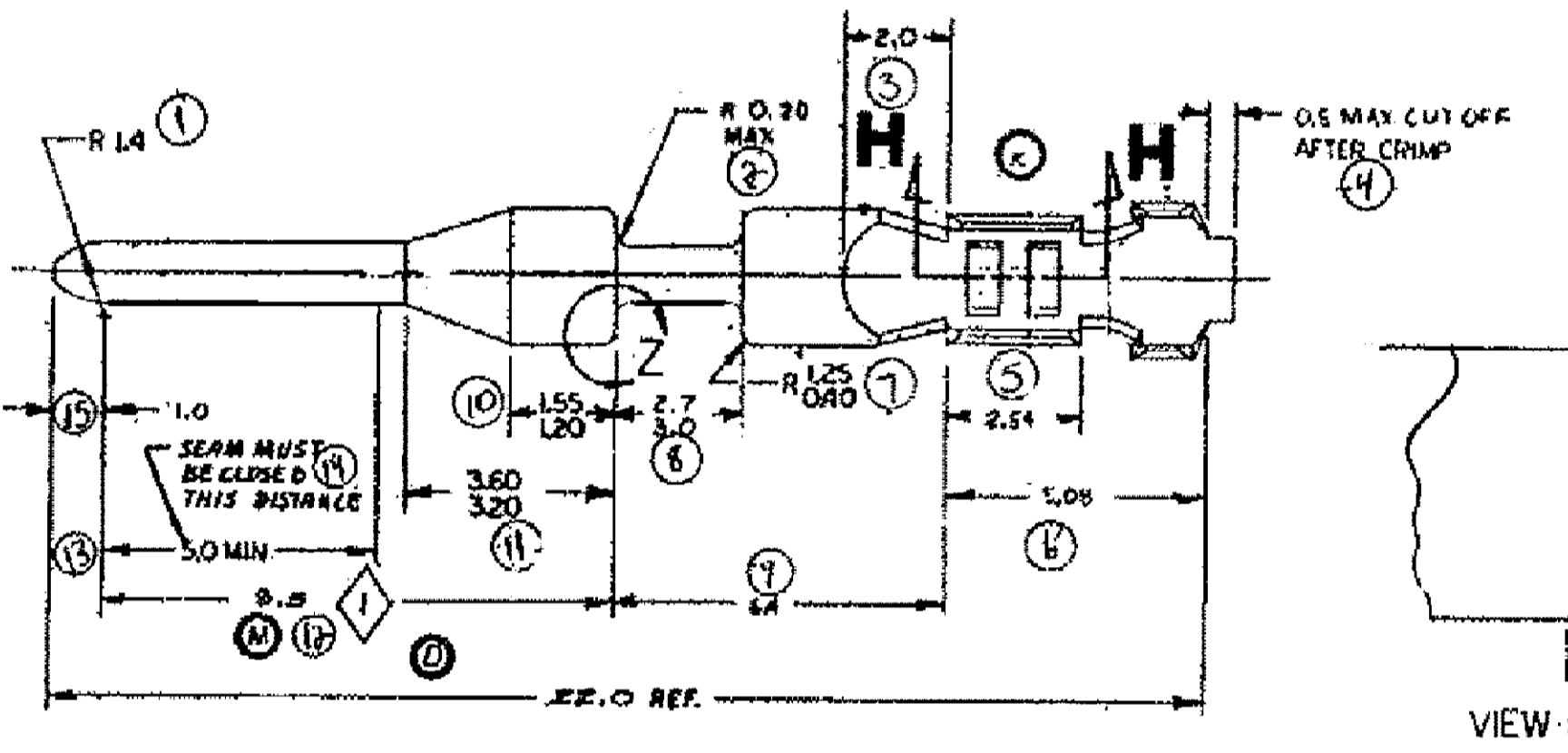


SECTION H-H
SCALE: 20 X SIZE
CONDUCTOR CRIMP SEPARATIONS
16 GA. & 18 GA. CRIMP ONLY

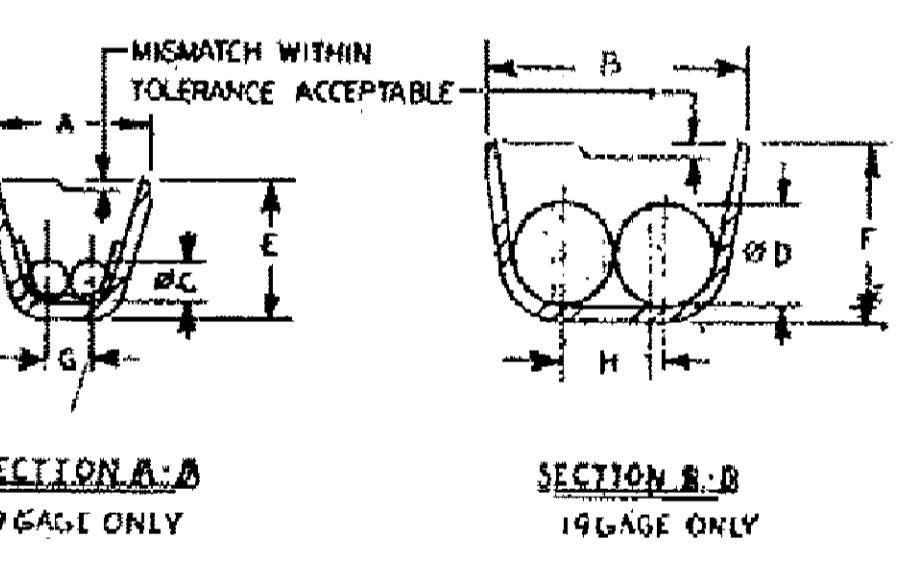
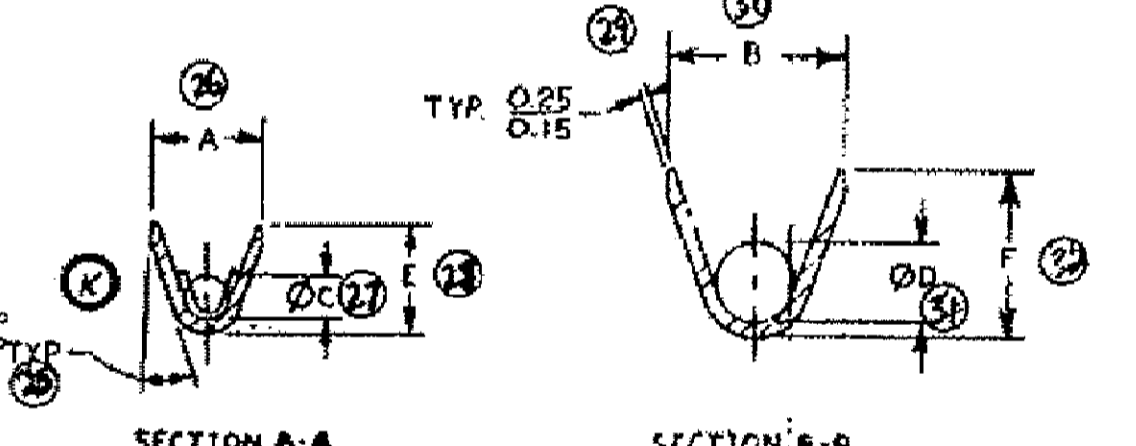
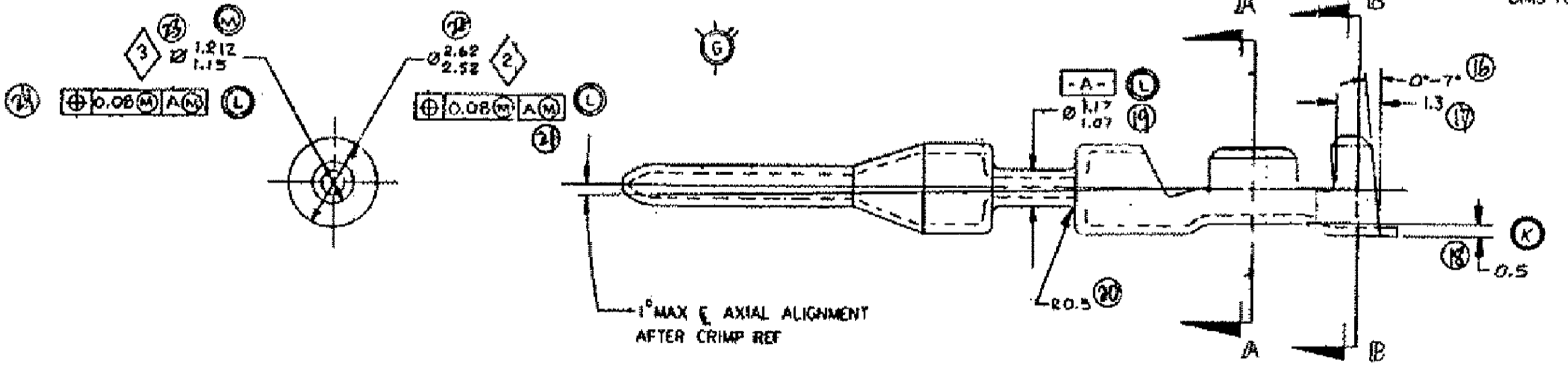


REFERENCE INSULATION CRIMP CHART		
WIRE SIZE	CRIMP WIDTH PER INSULATION THICKNESS	
22	0.80-0.45	0.45-0.85
19	1.80	-
18/20	2.80	2.80
16	-	3.20
14	-	-

REFERENCE CONDUCTOR CRIMP CHART		
WIRE SIZE	CRIMP WIDTH	CRIMP HEIGHT
22	1.45	1.10
20	2.05	1.15
19	-	-
18	2.05	1.25
16	2.45	1.40
14	2.45	1.60



VIEW IN CIRCLE Z
40X SIZE
DIMS FOR 360° OF BODY DIAMETER REF



NOTE:
ITEM ① AND ITEM ② ARE INTERCHANGEABLE
NF-1804-43 IS INTERCHANGEABLE WITH
NF-1804-29

① VENDOR TRADEMARK AND CRIP CODE MUST
APPEAR ON PART, OPTIONAL DATE CODE
IS ACCEPTABLE.

② WIRE FABRICATORS MUST PURCHASE FROM
VENDORS SHOW

MATERIAL THICKNESS 0.25 ±0.01

UNLESS OTHERWISE SPECIFIED TOLERANCES:
1 PLACE DIMENSIONS ±0.3
2 PLACE DIMENSIONS ±0.10

PACKAGING:
PANCAKE REELS WITH PAPER INTERLEAF

QUALITY ASSURANCE REQUIREMENTS PER
ITEM 013 0

③ Ⓜ DENOTES OPTIONAL SPOT SOLDER
PERMISSIBLE ON CONDUCTOR CRIMP

DO NOT SCALE PRINT		N UPDATED DRAWING REVISIONS NOT LEGIBLE JUL2013	
REV	DATE	BY	CHKD
1	08/13/13	JAA	RLO
2	05/13/13	JAA	RLO

MATERIAL SPECIFICATIONS		TOLERANCES UNLESS OTHERWISE SPECIFIED	
ITEM	DESCRIPTION	LINEAR DIMENSIONS ARE	ANGULAR DIMENSIONS ARE
1	COPPER ALLOY MS870 C14300 HB	±0.3	±0.5
2	TIN PLATED PER PS 39	±0.3	±0.5
3	PS 752	±0.3	±0.5
4	PS 750	±0.3	±0.5
5	MS870 C14300 HB44	±0.3	±0.5

TERMINAL TYPE		DIE #380	
SIZE (INSULATOR CAVITY)	SCALE		
240	1:1		

INTERLOCK JERMINAL CORPORATION		NF-1804-43		NF-1804-29		NF-2204-29		NF-1804-43		NF-1804-43	
NAME	PART NO	MS 5450	MS 5201	MS 7507	MS 8200	MS 1099	MS 82 8B	MS 112	COLDER CRIMP	MS 118	COLDER CRIMP

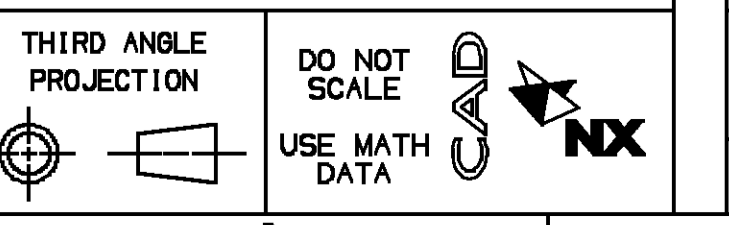
WIRE CODE	
WIRE CODE	WIRE CODE
H	G
F	E
D	C
B	A

NOTES

- UNLESS OTHERWISE SPECIFIED AND/OR INDICATED:
DIMENSIONS ARE TO FACE OF VIEW SHOWN AND AUTOMATICALLY ROUNDED BY COMPUTER FOR INSPECTION (SEE MATH MODEL FOR PRECISE DIMENSIONS). FOR ALL OTHER DIMENSIONS NOT SHOWN BUT REQUIRED FOR TOOL BUILD, SEE MATH MODEL FOR PRECISE TOOL PATH DATA.
- DIFFERENCE BETWEEN BOTH WINGS TO BE 0.3 MAX.

PART NUMBER	REV	PART NUMBER	REV	N/P	REWIND PART NUMBER DELPHI	REV	N/P	MAT'L SPEC
NFT-1404-43	N	33110320	01	-	-	-	-	M6554K74
NF-1804-29RWA	N	-	-	-	33503463	01	-	15518466
NF-1804-29	N	15518466	01	-	-	-	-	M6554K74
NFT-1404-29	N	15518467	01	-	-	-	-	M6554K74
NF-2204-29	N	15518318	01	-	-	-	-	M6554K74

TOLERANCE UNLESS OTHERWISE SPECIFIED:
DECIMAL: ANGULAR ±2°
TWO PLACE SEE DRAWING
THREE PLACE SEE DRAWING



DO NOT SCALE
USE MATH DATA

DELPHI

DELPHI PACKARD ELECTRICAL/ELECTRONIC ARCHITECTURE
WARREN, OH
COPYRIGHT 2013 DELPHI CORPORATION AND/OR ITS AFFILIATES.
ALL RIGHTS RESERVED.

THIS DRAWING IS THE PROPERTY OF DELPHI CORPORATION AND CONTAINS DELPHI CONFIDENTIAL INFORMATION. THE REPRODUCTION, DISTRIBUTION AND UTILIZATION OF THIS DOCUMENT OF ITS RELATED AND MATH DATA, AS WELL AS COMMUNICATION OF ANY CONTENT TO OTHERS, WITHOUT EXPRESS AUTHORIZATION, IS PROHIBITED.

OR	DATE
AP01 CARLOS DELGADILLO	08JUL13
AP02 J. S. ALVARADO	08JUL13
AP03 RAFAEL LOPEZ	08JUL13
AP04	

SUBSTANCES OF CONCERN AND RECYCLED CONTENT PER DELPHI 1094900

DRAWING NUMBER
15521596

SIZE	SCALE	FRAME NO	SHEET NO	STG	REV	N/P
A0	NONE	1 OF 1	1 OF 1	R	02	-

Date: 02-Aug-13 Time: 11:48

X-ON Electronics

Largest Supplier of Electrical and Electronic Components

Click to view similar products for [Automotive Connectors](#) category:

Click to view products by [APTIV](#) manufacturer:

Other Similar products are found below :

[003-018-000](#) [60403001](#) [60993906-B](#) [629515004020001](#) [M902-2131](#) [M902-2161](#) [72.330.1035.1](#) [73.353.4028.0](#) [F119300-B](#) [F166900](#)
[F258300-B](#) [F358300-B](#) [F407400](#) [F444110](#) [F487000](#) [F509500B-B](#) [827153-1](#) [8N1515-32-24P](#) [9-1326729-8](#) [925474-1](#) [928905-1](#) [964562-4](#)
[968782-1](#) [GT17SA-8DS-HU](#) [98891-1012](#) [98947-1016](#) [12004475-L](#) [12010290](#) [12010309-B](#) [12015454](#) [12020219-B](#) [12020308](#) [12041318-B](#)
[12052225-L](#) [12052466](#) [12059125](#) [12064869](#) [12004327-B](#) [12010503-B](#) [12015308](#) [12015384](#) [12015909](#) [1-21030-1](#) [12041254](#) [12041318](#)
[12047946-B](#) [12047957](#) [12047957-L](#) [12059473](#) [12066261](#)