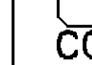
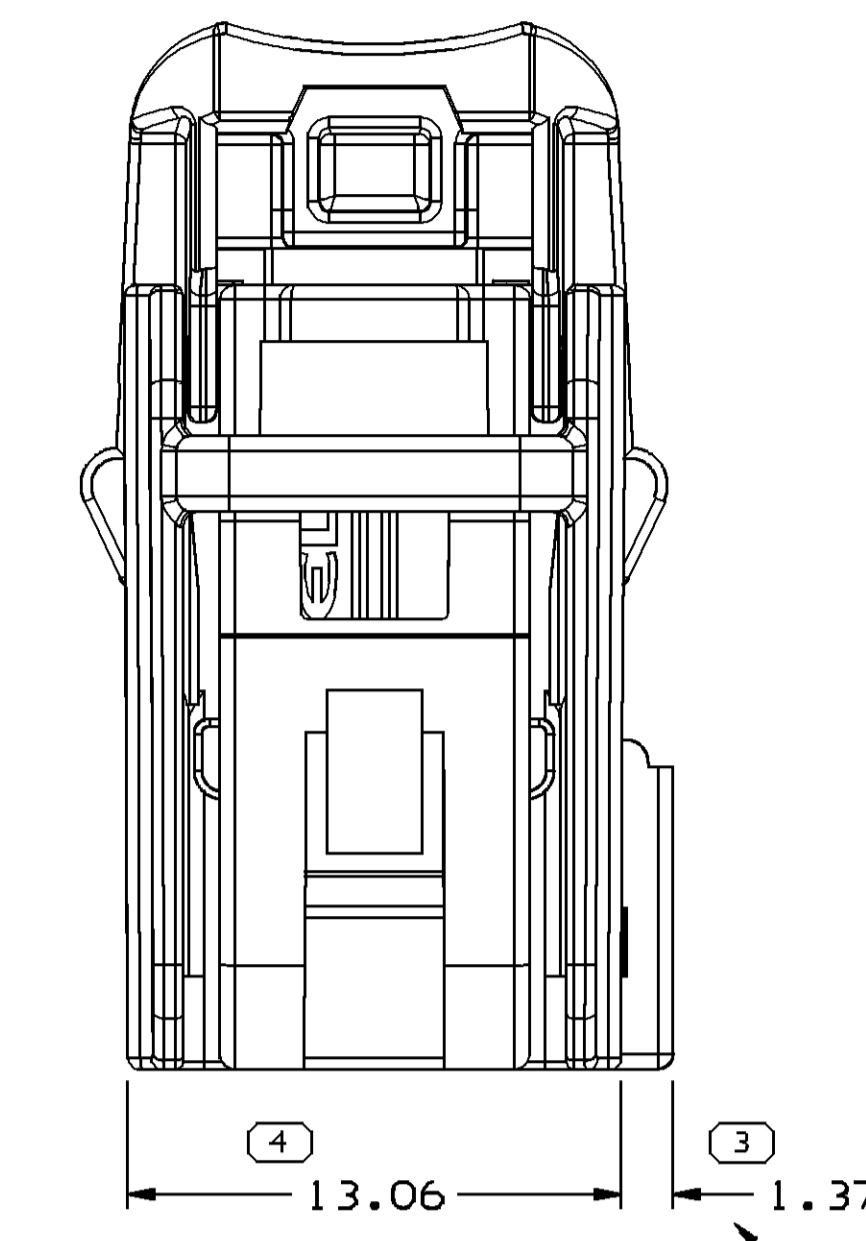
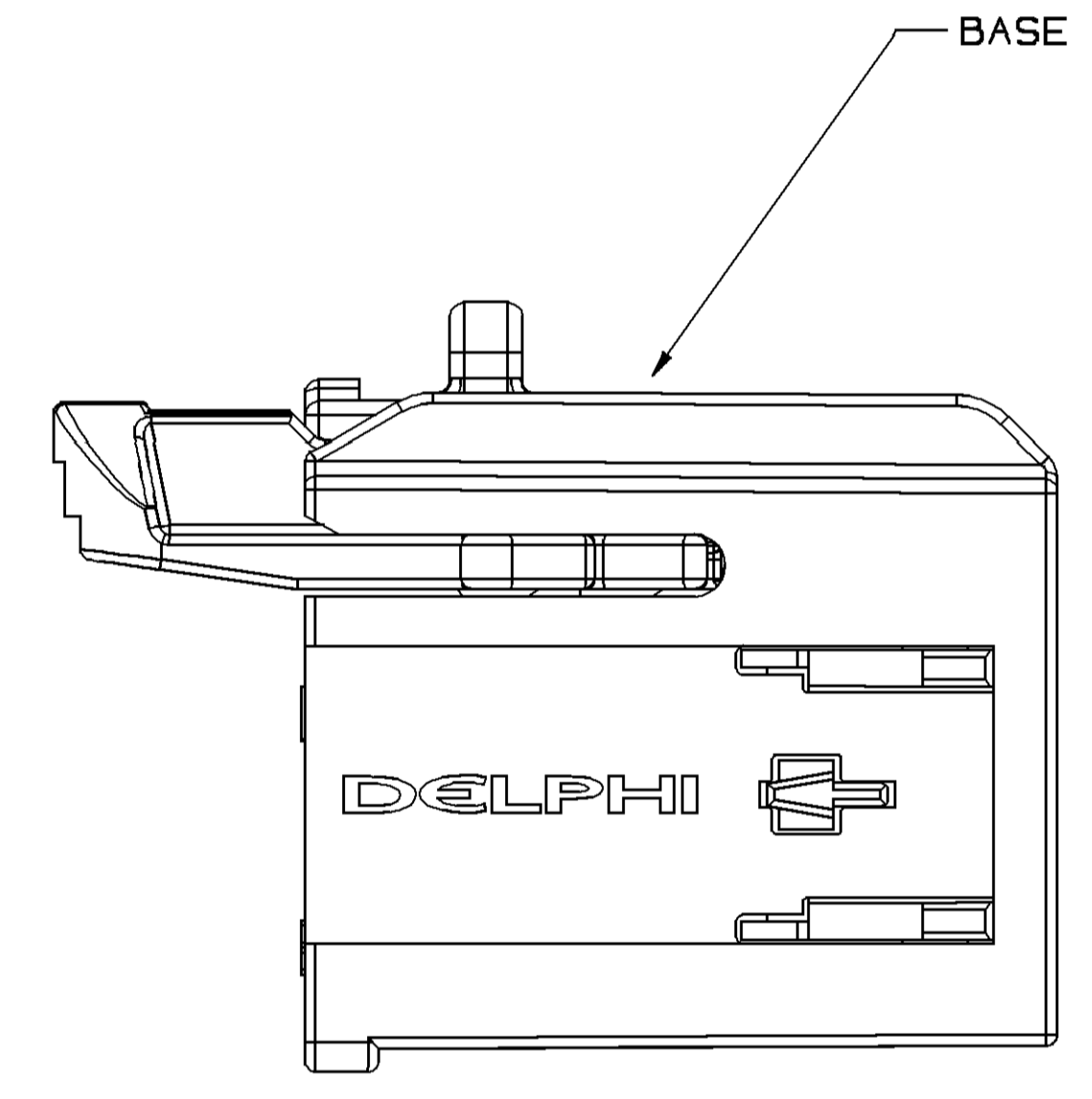
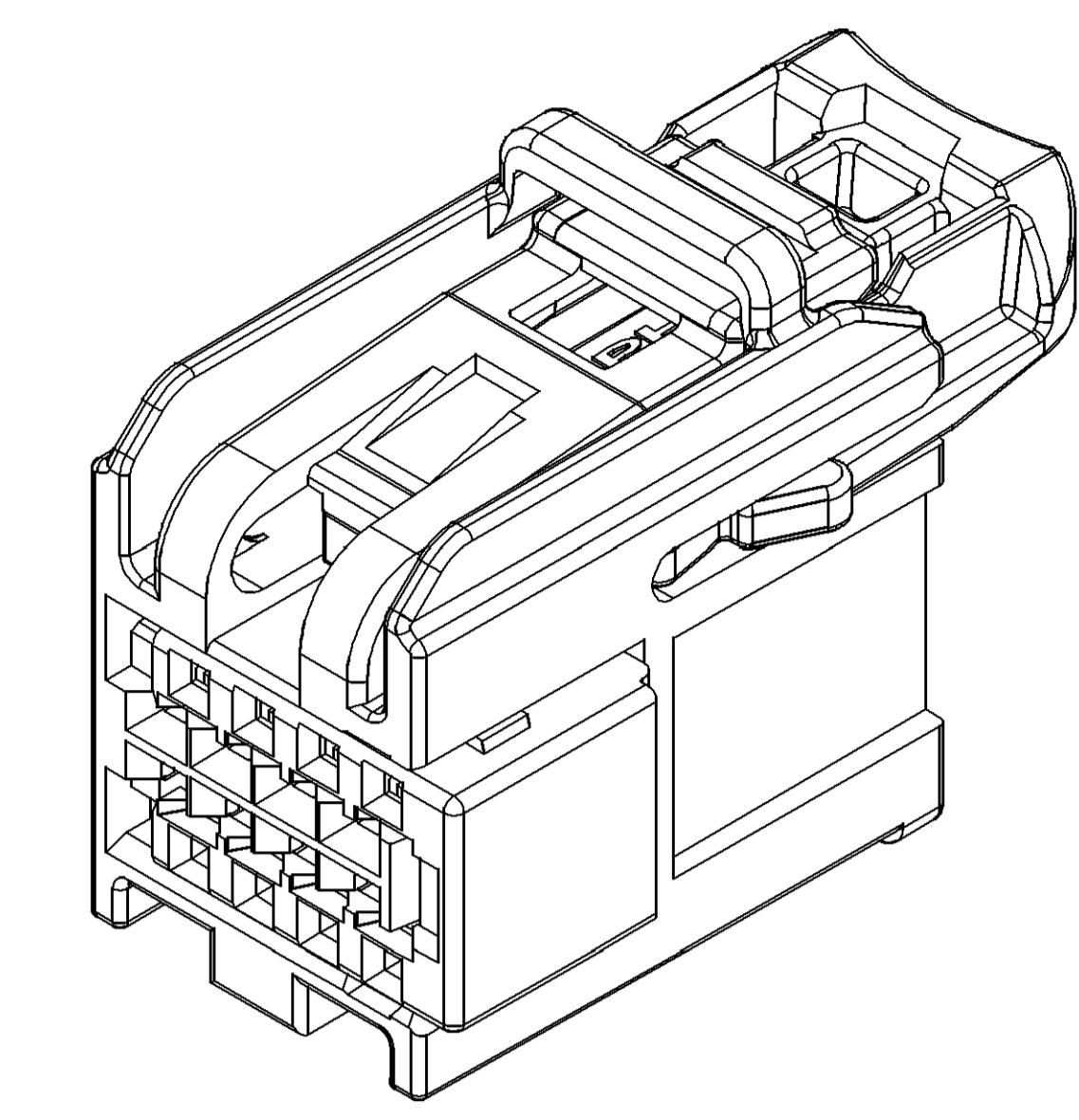


SYMBOL DEFINITION		MISSING SYMBOLS	
A DIMENSION WITHOUT AN INSPECTION REPORT SYMBOL  DOES NOT REQUIRE INSPECTION. IT MAY BE CONTROLLED ON THE INDIVIDUAL COMPONENT DRAWING.	TOTAL NO OF INSPECTIONS REQUIRED	NO MISSING SYMBOL NUMBER	
	15		
	LAST NO. USED		
	15		

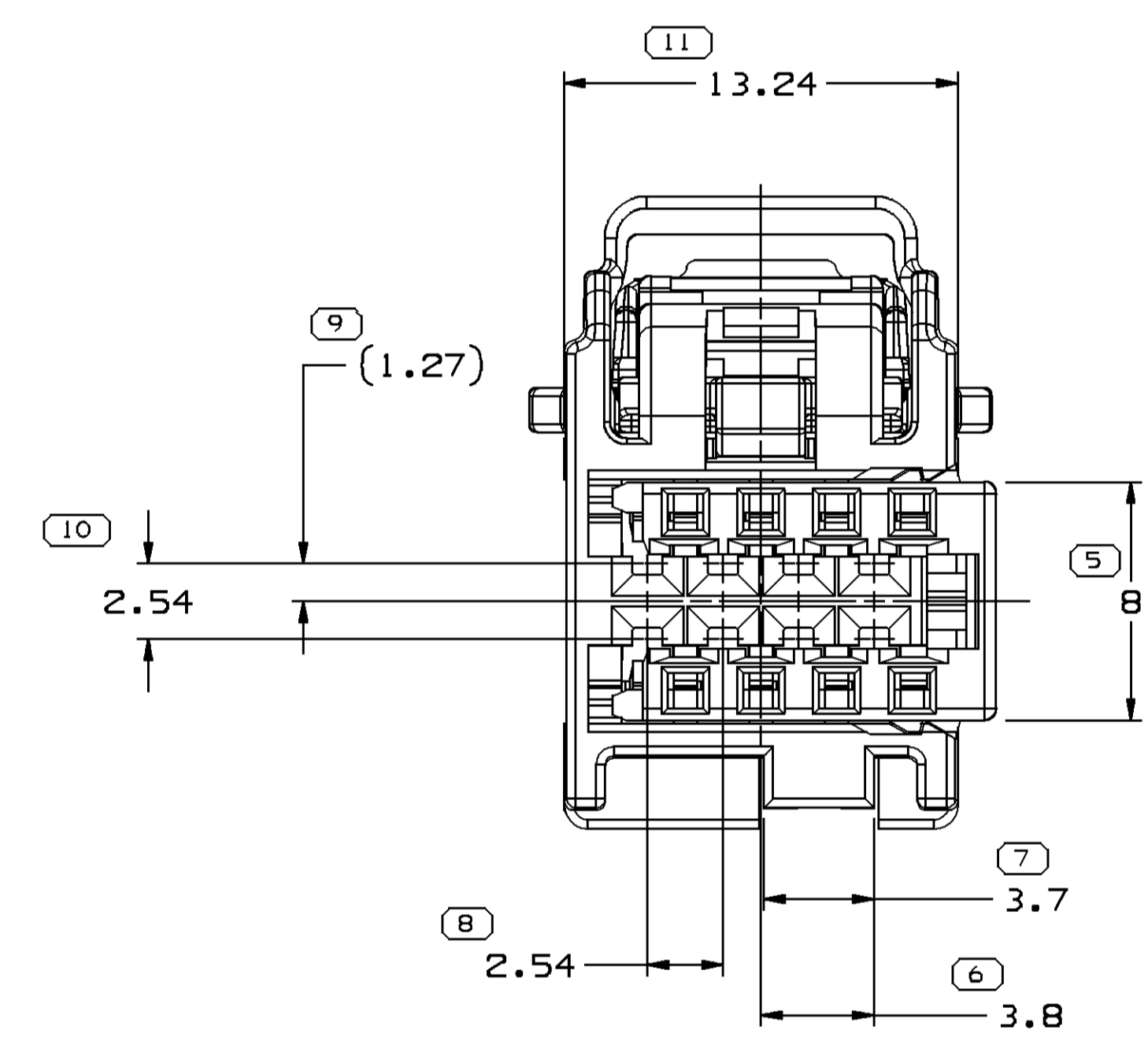
DATE	STG	REV	N/P	CHG	ZONE	REVISION HISTORY	AUTH	DR	APVD	APV2
05AP13	R	01	-	-	-	ALL PARTS - RELEASED PART DRAWING	421980	CAR	JVM	LES
31MY13	R	02	-	-	-	15537613-14 - REMOVED "LOCK SECONDARY SLC" FROM ASM; 15526972-73 - RELEASED	422808	IMF	JAA	LES
26JN13	R	03	-	-	-	15537613-14 - OBSOLETE; ALL PARTS - UPDATED LOCK CPA	423112	JAR	JAR	LES
20NO13	R	04	-	-	-	15526972-73 - UPDATED LOCK CPA	424703	DCH	DCH	LES
14FE14	R	05	-	-	-	15526972-73 - UPDATED LOCK CPA; MAIN "TYPE" ON DRAWING WAS 101 AND REVISED GRAPHICS	425548	AMC	JAA	LES
24MR15	R	06	-	-	-	15526972-73 - UPDATED PART AVAILABILITY	429204	NRM	JVM	JSM
08MY15	R	07	-	-	-	15526972-73 - DIM 19.09 +0.3/-0.15 WAS 19.09	429561	JSM	ERG	JSM



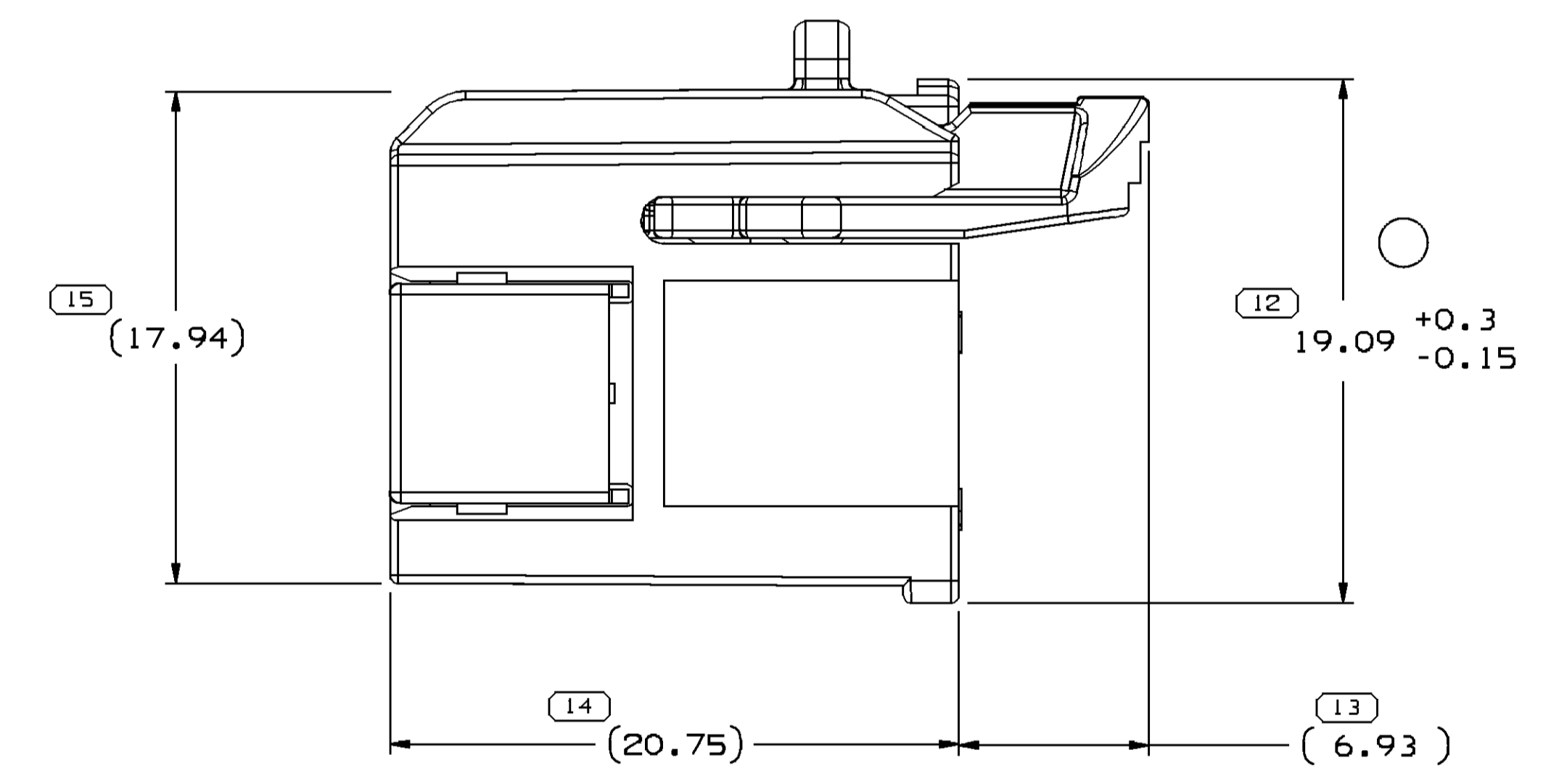
LOCK SECONDARY SLC
PRE-STAGE - (SEE CHART)



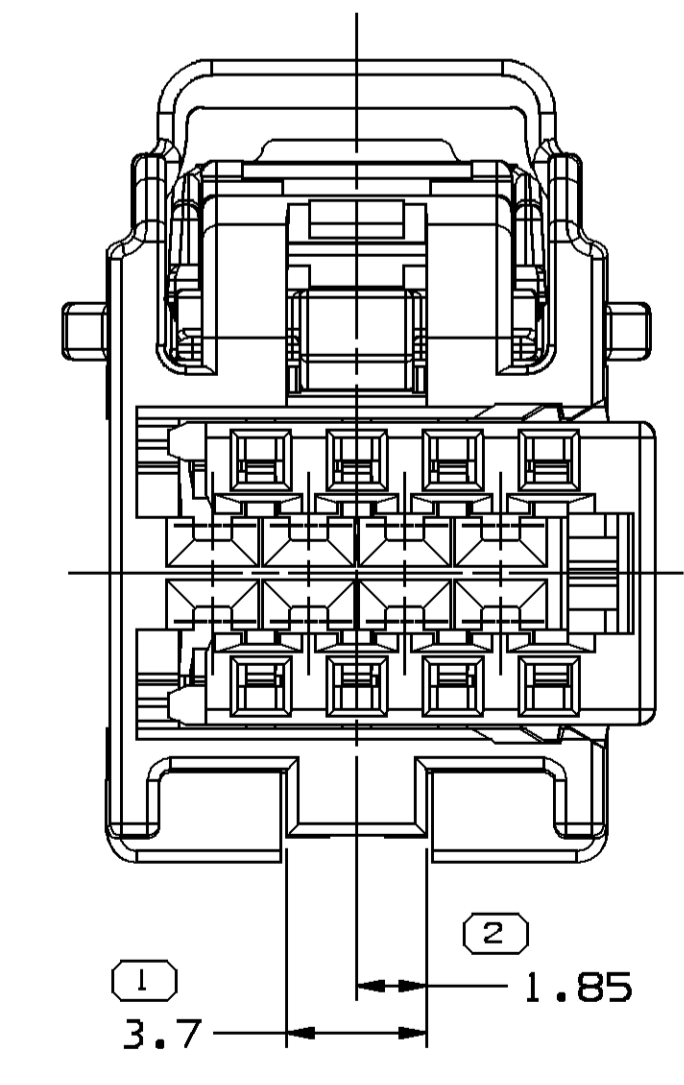
BASE CONN - (SEE CHART)



TYPE 103



LOCK CPA
PRE-STAGE - (SEE CHART)



TYPE 104
SAME AS TYPE 103
EXCEPT AS SHOWN

- NOTES
- UNLESS OTHERWISE SPECIFIED AND/OR INDICATED:
DIMENSIONS ARE TO FACE OF VIEW SHOWN AND AUTOMATICALLY ROUNDED BY COMPUTER FOR INSPECTION (SEE MATH MODEL FOR PRECISE DIMENSIONS). FOR ALL OTHER DIMENSIONS NOT SHOWN BUT REQUIRED FOR TOOL BUILD, SEE MATH MODEL FOR PRECISE TOOL PATH DATA.
 - THIS PRODUCT IS NOT CATEGORIZED AS AN APPEARANCE ITEM, MINOR IMPERFECTIONS INCLUDING, BUT NOT LIMITED TO, FLOW MARKS, COLOR BLEMISHES, GATE VESTIGE, AND SOFT FLASH THAT DO NOT AFFECT THE FIT, FORM, OR FUNCTION OF THE PART ARE PERMISSIBLE PER DPNP-4.7-CS-01.
 - FOR APPLICATION DATA SEE THE INDIVIDUAL APPLICATION DRAWINGS.
 - TO ASSURE CORRECT TERMINAL POSITION, AN ELECTRICAL TEST HOLDER APPROVED BY BOTH THE DELPHI PACKARD NORTH AMERICA PRODUCT LINE ENGINEER AND ASSEMBLY TOOLING BUSINESS UNIT MUST BE USED. FAILURE TO USE AN APPROVED TEST HOLDER MAY RESULT IN UNSEATED TERMINALS.

PART NO	REV	N/P	TYPE	BASE CONN	LOCK SECONDARY SLC	CPA	EWCAP MATING INFO
15526973	04	AB	104	13942895	1384256B	15526971	064-U-00B-2-B02
15526972	04	AB	103	13942894	1384256B	15526971	064-U-00B-2-A02
15537614	02	AA	102	13942895	-	15526971	064-U-00B-2-B02
15537613	02	AA	101	13942894	-	15526971	064-U-00B-2-A02

DIMENSIONAL RANGE (MM)	CHART	ET
FROM > 0	> 20	> 30
TO	20	30
	30	40
	40	50
	50	60
	60	80
	80	100
	100	150
	150	200
	200	250
	250	300
	300	400

DELPHI
DELPHI PACKARD ELECTRICAL/ELECTRONIC ARCHITECTURE
WARREN, OH
COPYRIGHT 2013 DELPHI CORPORATION AND/OR ITS AFFILIATES. ALL RIGHTS RESERVED.
THIS DRAWING IS THE PROPERTY OF DELPHI CORPORATION AND CONTAINS DELPHI CONFIDENTIAL INFORMATION. THE REPRODUCTION, DISTRIBUTION AND UTILIZATION OF THIS DOCUMENT OR ITS CONTENTS OR DATA, AS WELL AS COMMUNICATION OF ANY CONTENT TO OTHERS, WITHOUT EXPRESS AUTHORIZATION, IS PROHIBITED.

DATE: 07/15/15
DR: C. RODRIGUEZ
APV02: J. VILLAMIL
APV03: E. SOLANO
APV04: [blank]

UNLESS OTHERWISE SPECIFIED
THIS DOCUMENT IS IN ACCORDANCE WITH ASME Y14.5M-1994 AS MODIFIED BY THE 2003 DIMENSIONING AND TOLERANCING ADDENDUM-2003. SEPARATE PATTERNS OF FEATURES MAY BE SHOWN SEPARATELY, REGARDLESS OF DATUM REFERENCES.

ALL DIMENSIONS ARE IN MILLIMETERS

REFERENCE: TAXI ASM CONN 8 F CCS 0.64

DRAWING NUMBER: 15537627

SIZE: A0
SCALE: 5:1
FRAME NO: 1 OF 2
SHEET NO: 1 OF 1
STG: R
REV: 07

X-ON Electronics

Largest Supplier of Electrical and Electronic Components

Click to view similar products for [Automotive Connectors](#) category:

Click to view products by [APTIV](#) manufacturer:

Other Similar products are found below :

[003-018-000](#) [60993906-B](#) [M902-2131](#) [M902-2161](#) [M902-2344](#) [72.330.1035.1](#) [73.353.4028.0](#) [F166900](#) [F358300-B](#) [F407400](#) [776880-1](#)
[827153-1](#) [8N1515-32-24P](#) [9-1326729-8](#) [925474-1](#) [928905-1](#) [964562-4](#) [968782-1](#) [98891-1012](#) [12004475-L](#) [12020308](#) [12041318-B](#)
[12052466](#) [12064869](#) [12015909](#) [1-21030-1](#) [12041254](#) [12041318](#) [12047946-B](#) [12110546-B](#) [12131792](#) [12084688](#) [12092346](#) [HD34-18-14PT](#)
[HD46-24-23SN-059](#) [HDB36-24-16PN-059](#) [HDP26-24-9SE-L015](#) [12185280](#) [12185550](#) [12336-12](#) [12191172-B](#) [12S](#) [13545280](#) [13577943](#)
[13681974](#) [13737722-B](#) [13830674](#) [13832576](#) [13849772](#) [13542772](#)