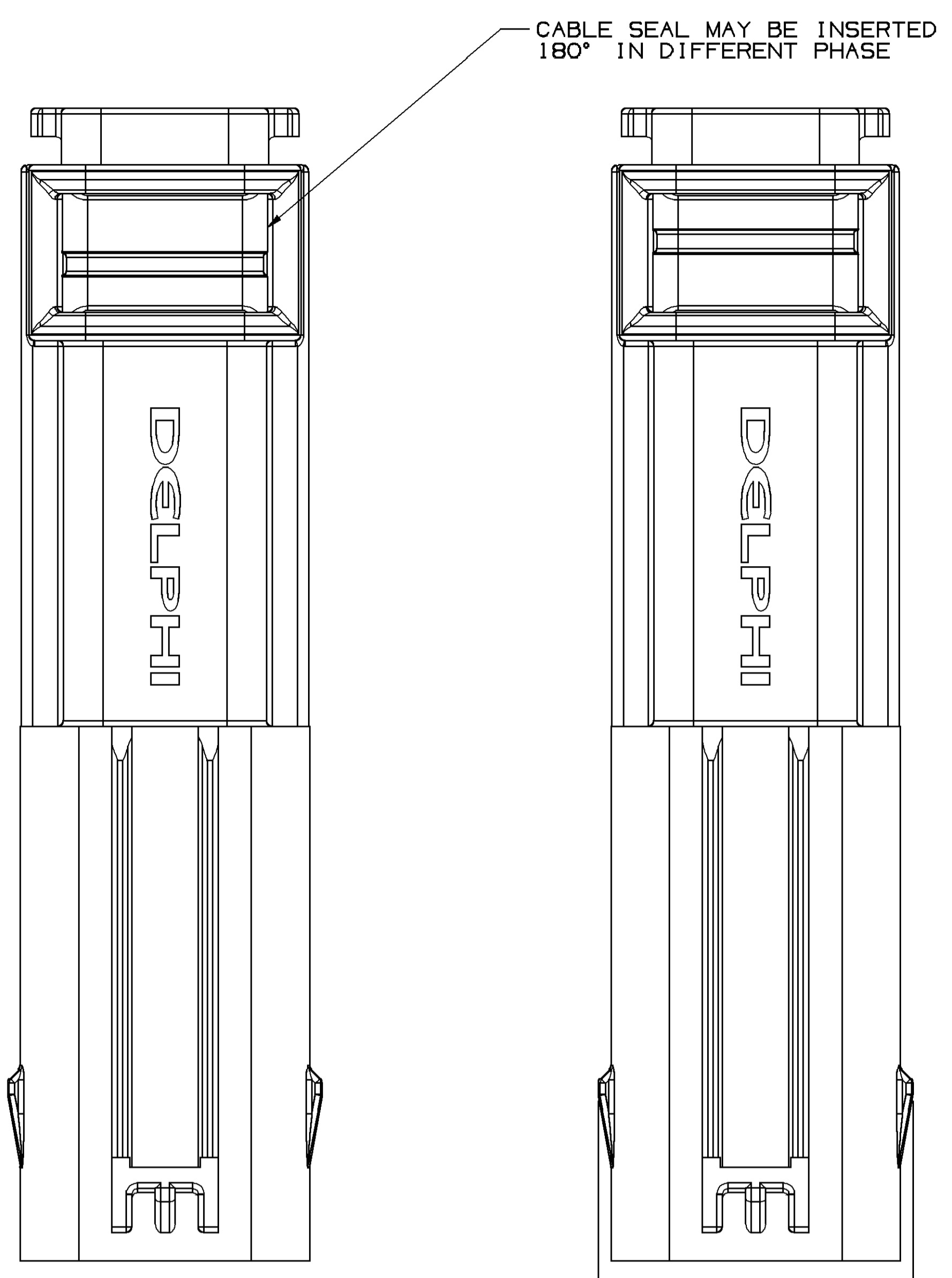
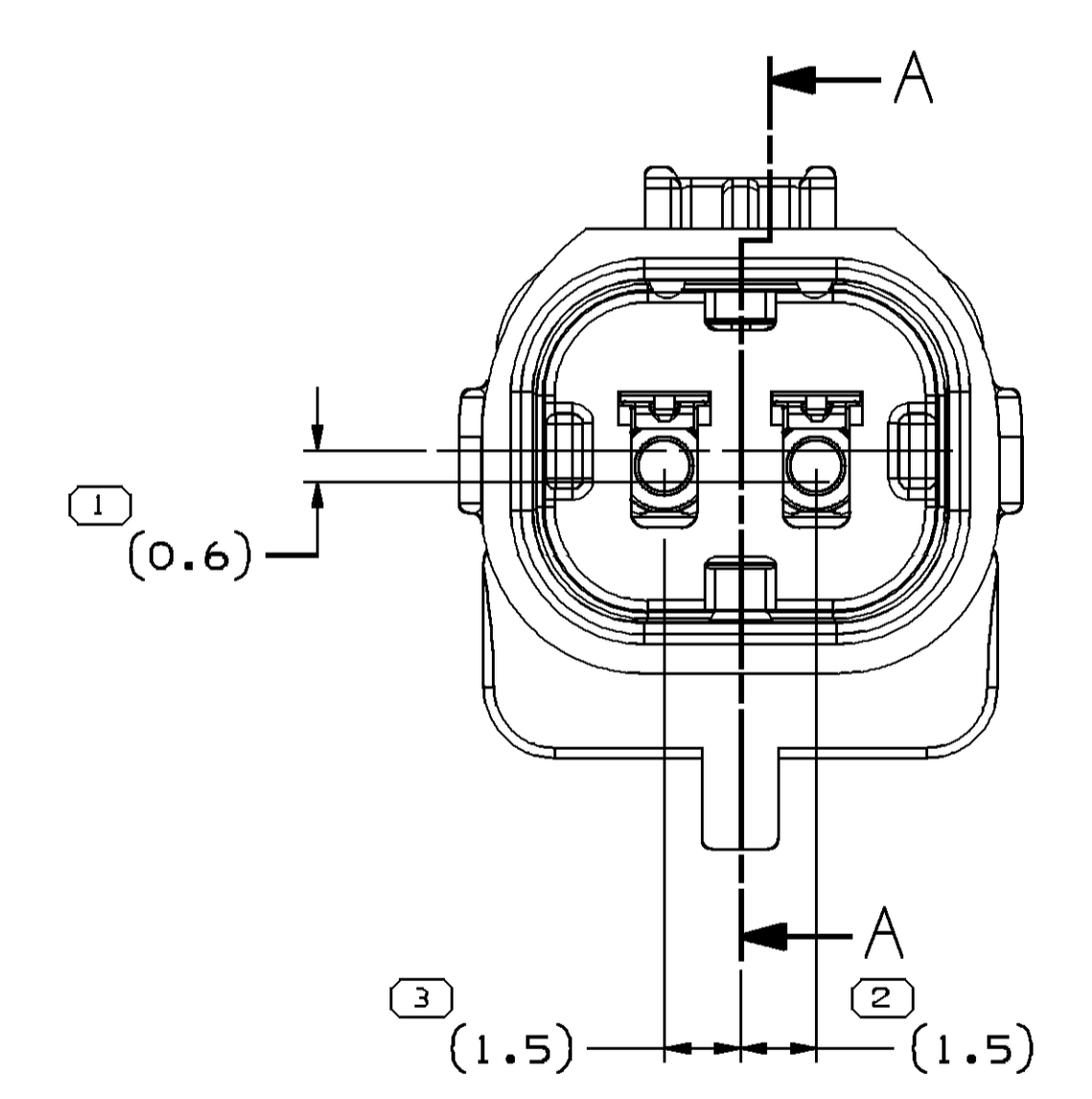
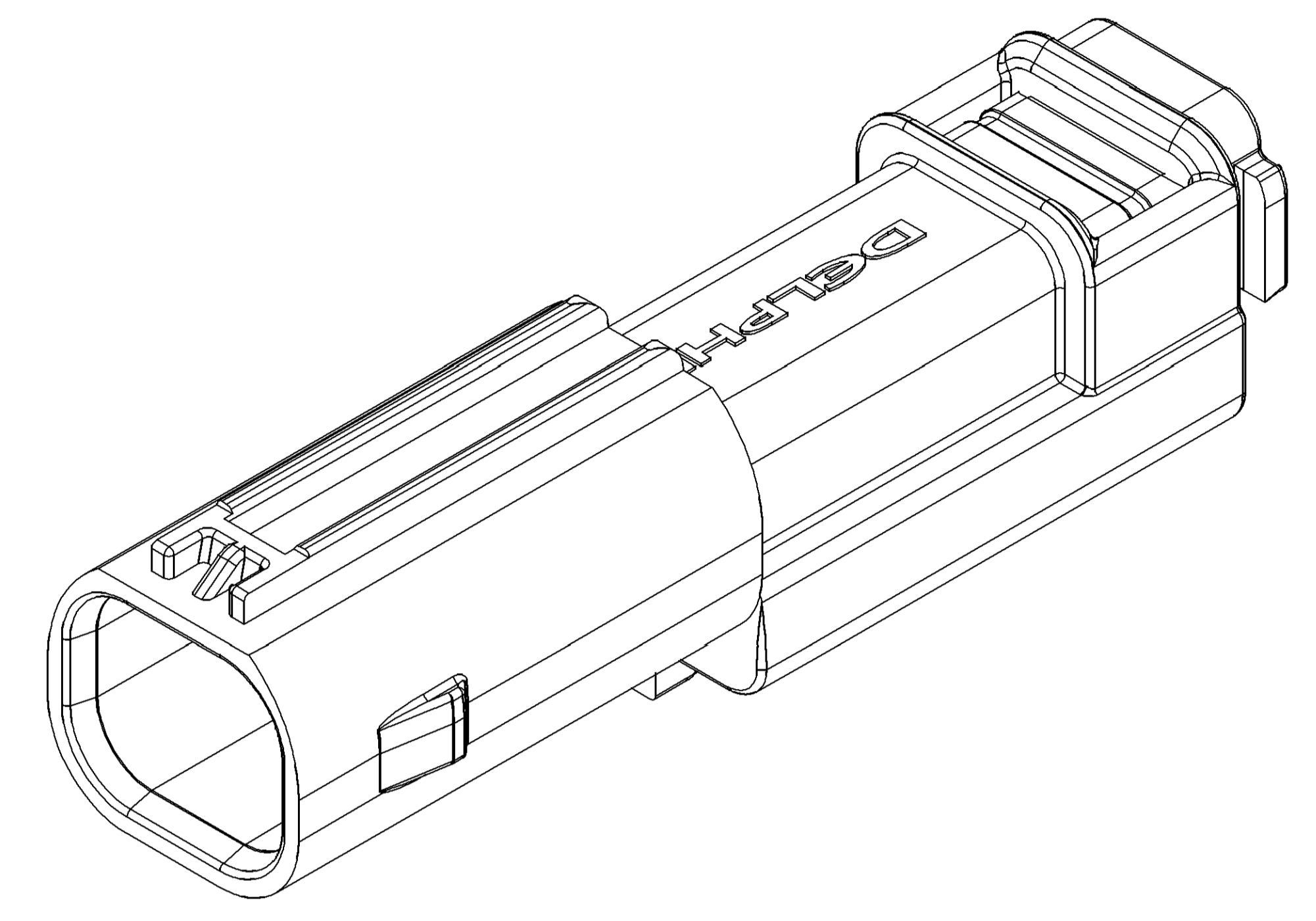
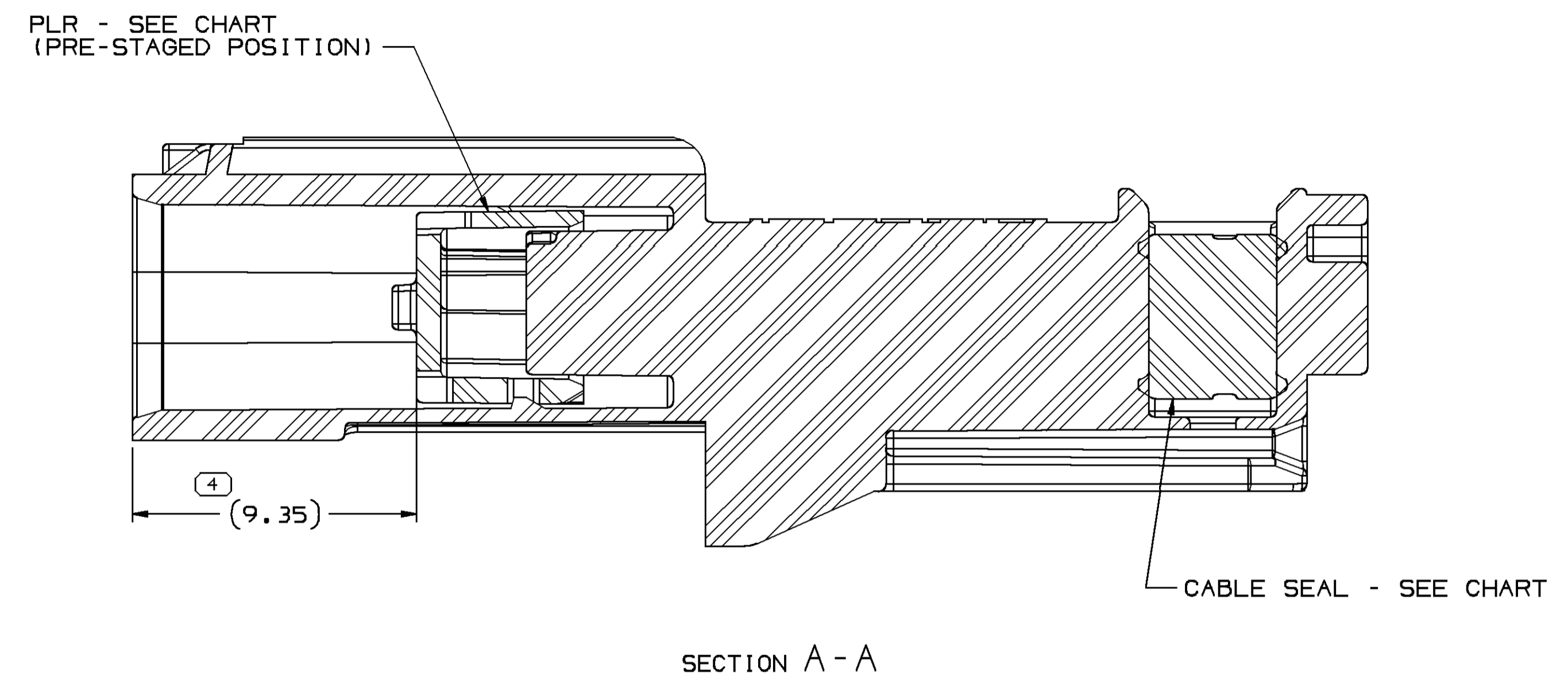


SYMBOL DEFINITION		TOTAL NO OF INSPECTIONS REQUIRED	MISSING SYMBOLS
A DIMENSION WITHOUT AN INSPECTION REPORT SYMBOL DOES NOT REQUIRE INSPECTION. IT MAY BE CONTROLLED ON THE INDIVIDUAL COMPONENT DRAWING.		7	NO MISSING SYMBOL NUMBER
		LAST NO. USED	7

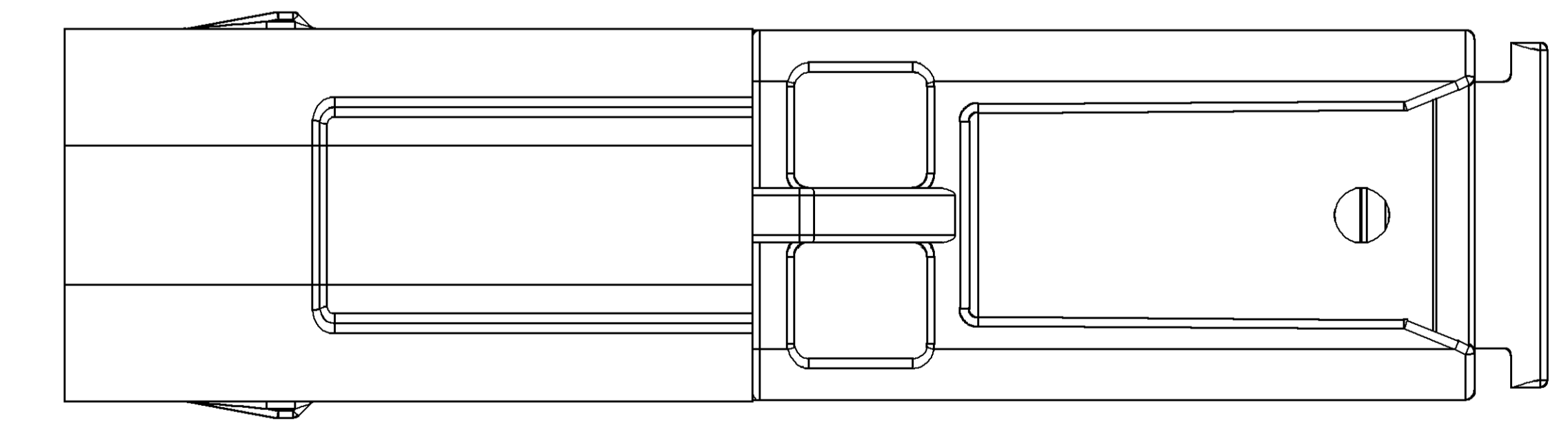
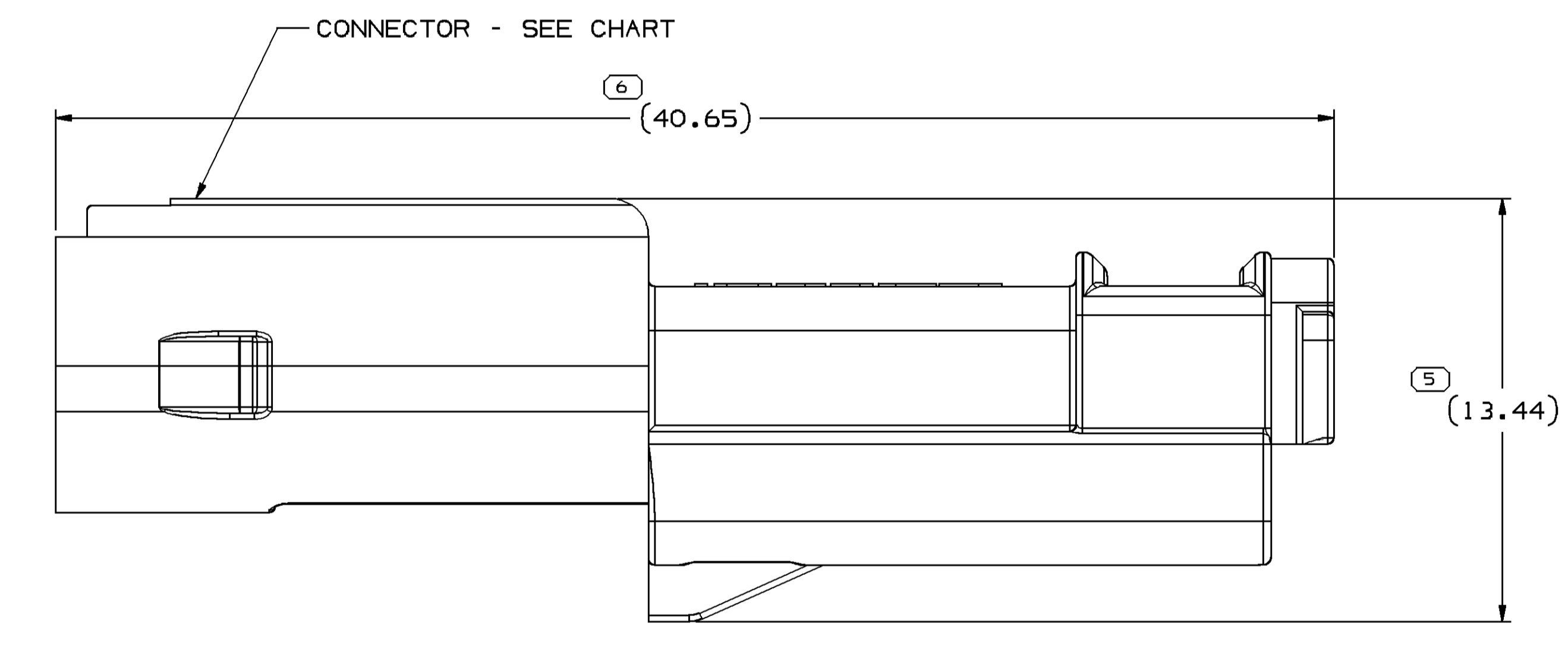
DATE	STG	REV	W/P	CHG	ZONE	REVISION HISTORY	AUTH	DR	AP/VD	AP/VD
15MY13	R	01	-	-	-	RELEASED	422123	JMR	JMR	JRM
19AU13	R	02	-	-	-	UPDATED PDM ATTRIBUTES	423352	JMR	JMR	JRM
15JA14	R	02	AA	-	-	NOTE #5 WAS ELECTRICAL TEST HOLDER NOTE	425139	JMR	JMR	JRM
08MY14	R	02	AB	-	-	ADDED NOTES 7 & 8.	426416	JMR	JMR	JRM
04JN14	R	02	AC	-	-	ADDED OPTIONAL CONSTRUCTION VIEW UPDATED PART AVAILABILITY	426724	JMR	JMR	JRM
05AU14	R	02	AD	-	-	ADDED MECHANICAL HOLDER AND BOTH HOLDER'S IDS TO NOTE #5	427190	JMR	JMR	JRM
28NO14	R	02	AE	-	-	ADDED CABLE OD COLUMN AND REMOVED CONNECTOR POLARIZATION NOTE.	428169	BLG	BLG	JRM



OPTIONAL CONSTRUCTION
SAME AS PRIMARY CONSTRUCTION EXCEPT AS SHOWN



PRIMARY CONSTRUCTION



NOTES

- UNLESS OTHERWISE SPECIFIED AND/OR INDICATED:
DIMENSIONS ARE TO FACE OF VIEW SHOWN AND AUTOMATICALLY ROUNDED BY COMPUTER FOR INSPECTION (SEE MATH MODEL FOR PRECISE DIMENSIONS). FOR ALL OTHER DIMENSIONS NOT SHOWN BUT REQUIRED FOR TOOL BUILD, SEE MATH MODEL FOR PRECISE TOOL PATH DATA.
- PART IS MANUFACTURED TO GEOMETRIC TOLERANCES. CENTERLINE DIMENSIONS ARE FOR REFERENCE ONLY.
- SEALING CODE 2 PER SAE/USCAR-2:
DESIGN WILL MEET REQUIREMENTS OF CONNECTOR SYSTEM ENVIRONMENTAL TEST FLOWCHART (PRESSURE/VACUUM AND SUBMERSION).
- THIS PRODUCT IS NOT CATEGORIZED AS AN APPEARANCE ITEM, MINOR IMPERFECTIONS INCLUDING, BUT NOT LIMITED TO, FLOW MARKS, COLOR BLEMISHES, GATE VESTIGE, AND SOFT FLASH THAT DO NOT AFFECT THE FIT, FORM, OR FUNCTION OF THE PART ARE PERMISSIBLE PER DPNP-4.7-CS-01.
- TO ASSURE CORRECT TERMINAL POSITION, THE MECHANICAL BUILD HOLDER (ID 79696 OR EQUIVALENT) AND ELECTRICAL RINGOUT HOLDER (ID 79697 OR EQUIVALENT) MUST BE APPROVED BY DELPHI PACKARD NORTH AMERICA ASSEMBLY TOOLING BUSINESS UNIT. FAILURE TO USE APPROVED HOLDERS MAY RESULT IN UNSEATED TERMINALS.
- FOR APPLICATION DATA SEE THE APPLICATION DRAWING.
- PLR REMOVAL FORCE FROM STAGED POSITION IS 4.8 N, AVERAGE.

DIMENSIONAL RANGE (MM)	CHART SET
FROM > 0	> 20
TO 20	30
	70
	100
	150
	200
	250
	300
	400
TOLERANCE UNLESS OTHERWISE SPECIFIED	
+0.15 +0.2 +0.3 +0.4 +0.5 +0.6 +0.8 +1 +1.2	
ANGULAR TOLERANCE ±2°	

DATE	STG	REV	W/P	CHG	ZONE	REVISION HISTORY	AUTH	DR	AP/VD	AP/VD
15MY13	R	01	-	-	-	RELEASED	422123	JMR	JMR	JRM

DELPHI
DELPHI PACKARD ELECTRICAL/ELECTRONIC ARCHITECTURE
WARREN, OH
COPYRIGHT 2013 DELPHI CORPORATION AND/OR ITS AFFILIATES. ALL RIGHTS RESERVED.
THIS DRAWING IS THE PROPERTY OF DELPHI CORPORATION AND CONTAINS DELPHI CONFIDENTIAL INFORMATION. THE REPRODUCTION, DISTRIBUTION AND UTILIZATION OF THIS DOCUMENT OR ITS RELATED CAD DATA, AS WELL AS COMMUNICATION OF ANY CONTENT TO OTHERS, WITHOUT EXPRESS AUTHORIZATION, IS PROHIBITED.

UNLESS OTHERWISE SPECIFIED
THIS DOCUMENT IS IN ACCORDANCE WITH ASME Y14.5M-1994 AS MODIFIED BY THE 2003 SUPPLEMENT AND TELEPHONING ADDENDUM-2001. SEPARATE PATTERNS OF FEATURES MAY BE ISSUED SEPARATELY, REGARDLESS OF DATUM REFERENCES.

ALL DIMENSIONS ARE IN MILLIMETERS

REFERENCE

THIRD ANGLE PROJECTION

DO NOT SCALE

USE MATH DATA

DRAWING NUMBER
15540613

SIZE A0 SCALE 7:1 FRM NO 1 OF 1 SHEET NO 1 OF 1 STG REV W/P R 02 AE

ASSEMBLY P/N	CONNECTOR	PLR	CABLE SEAL	CABLE OD
15540613	15540612	15529131	13886437	1.47-2.12

X-ON Electronics

Largest Supplier of Electrical and Electronic Components

Click to view similar products for [Automotive Connectors](#) category:

Click to view products by [APTIV](#) manufacturer:

Other Similar products are found below :

[003-018-000](#) [60403001](#) [60993906-B](#) [629515004020001](#) [M902-2131](#) [M902-2161](#) [72.330.1035.1](#) [73.353.4028.0](#) [F119300-B](#) [F166900](#)
[F258300-B](#) [F358300-B](#) [F407400](#) [F444110](#) [F487000](#) [F509500B-B](#) [827153-1](#) [8N1515-32-24P](#) [9-1326729-8](#) [925474-1](#) [928905-1](#) [964562-4](#)
[968782-1](#) [GT17SA-8DS-HU](#) [98891-1012](#) [98947-1016](#) [12004475-L](#) [12010290](#) [12010309-B](#) [12015454](#) [12020219-B](#) [12020308](#) [12041318-B](#)
[12052225-L](#) [12052466](#) [12059125](#) [12064869](#) [12004327-B](#) [12010503-B](#) [12015308](#) [12015384](#) [12015909](#) [1-21030-1](#) [12041254](#) [12041318](#)
[12047946-B](#) [12047957](#) [12047957-L](#) [12059473](#) [12066261](#)