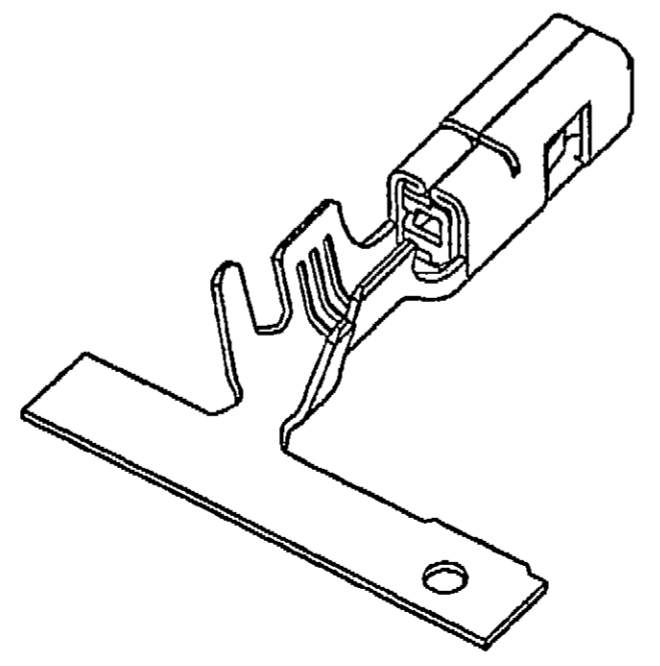
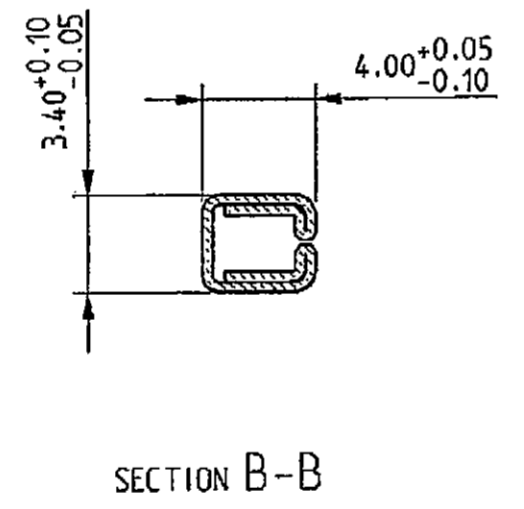
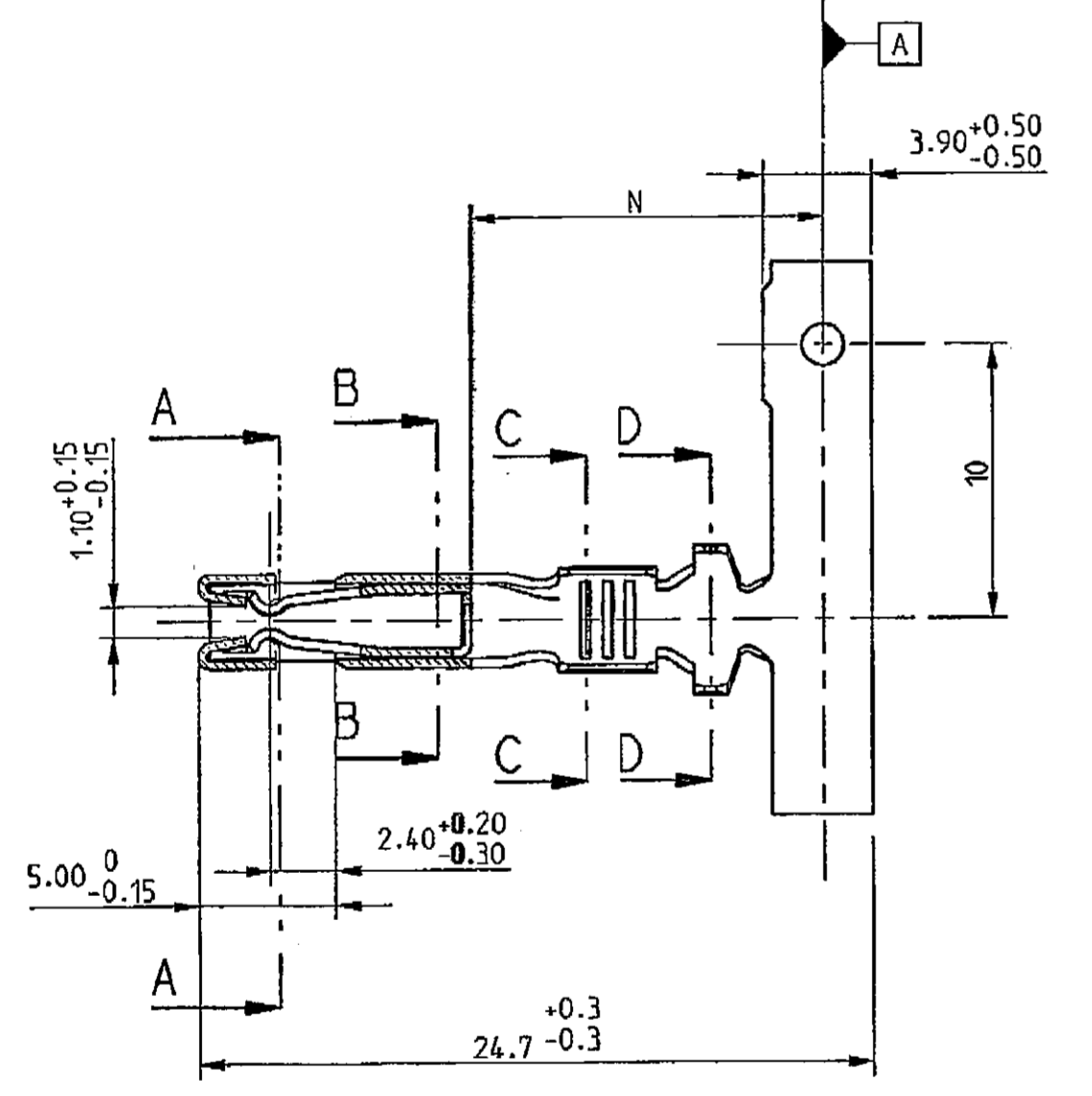
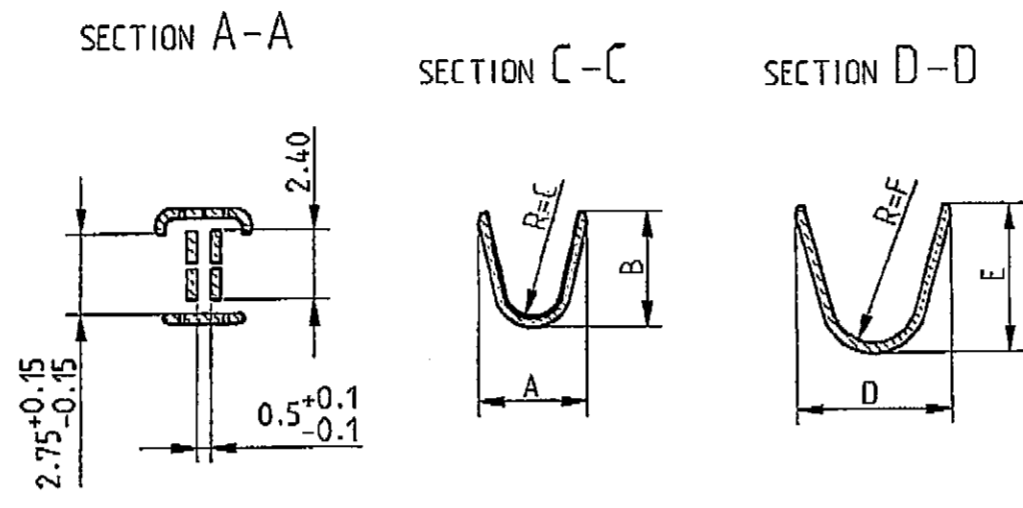
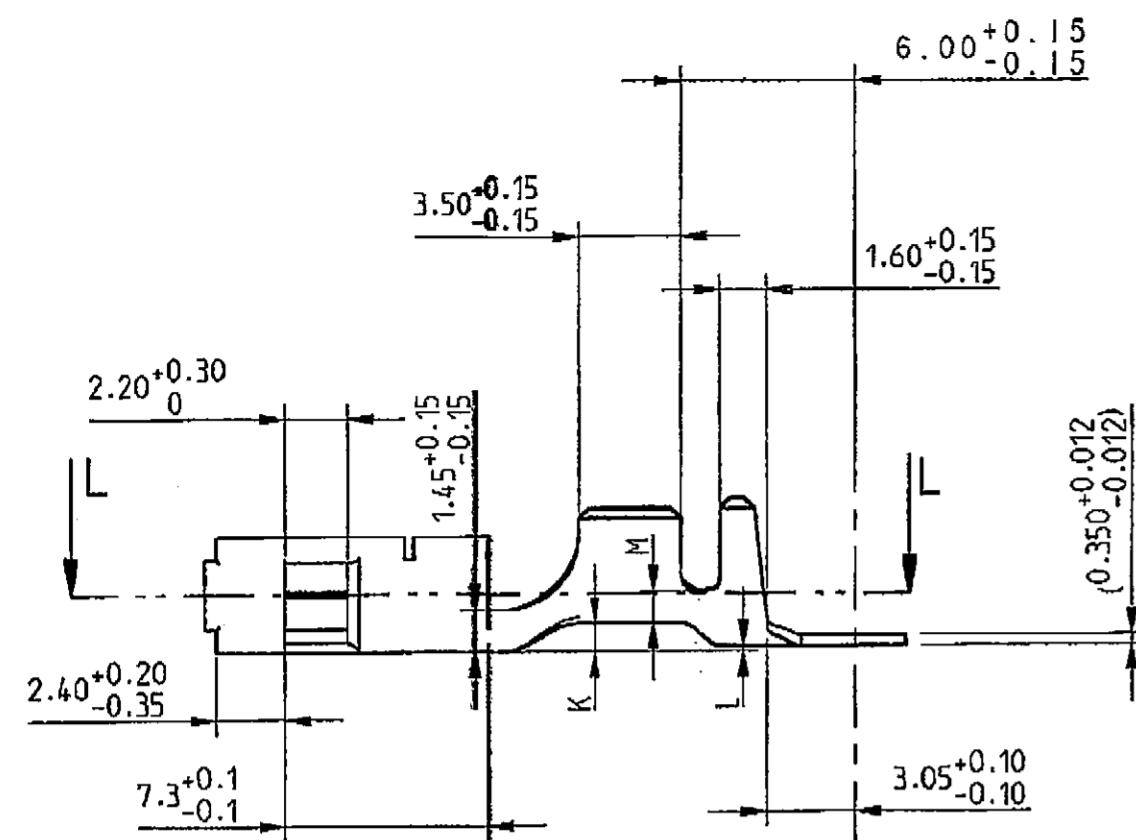
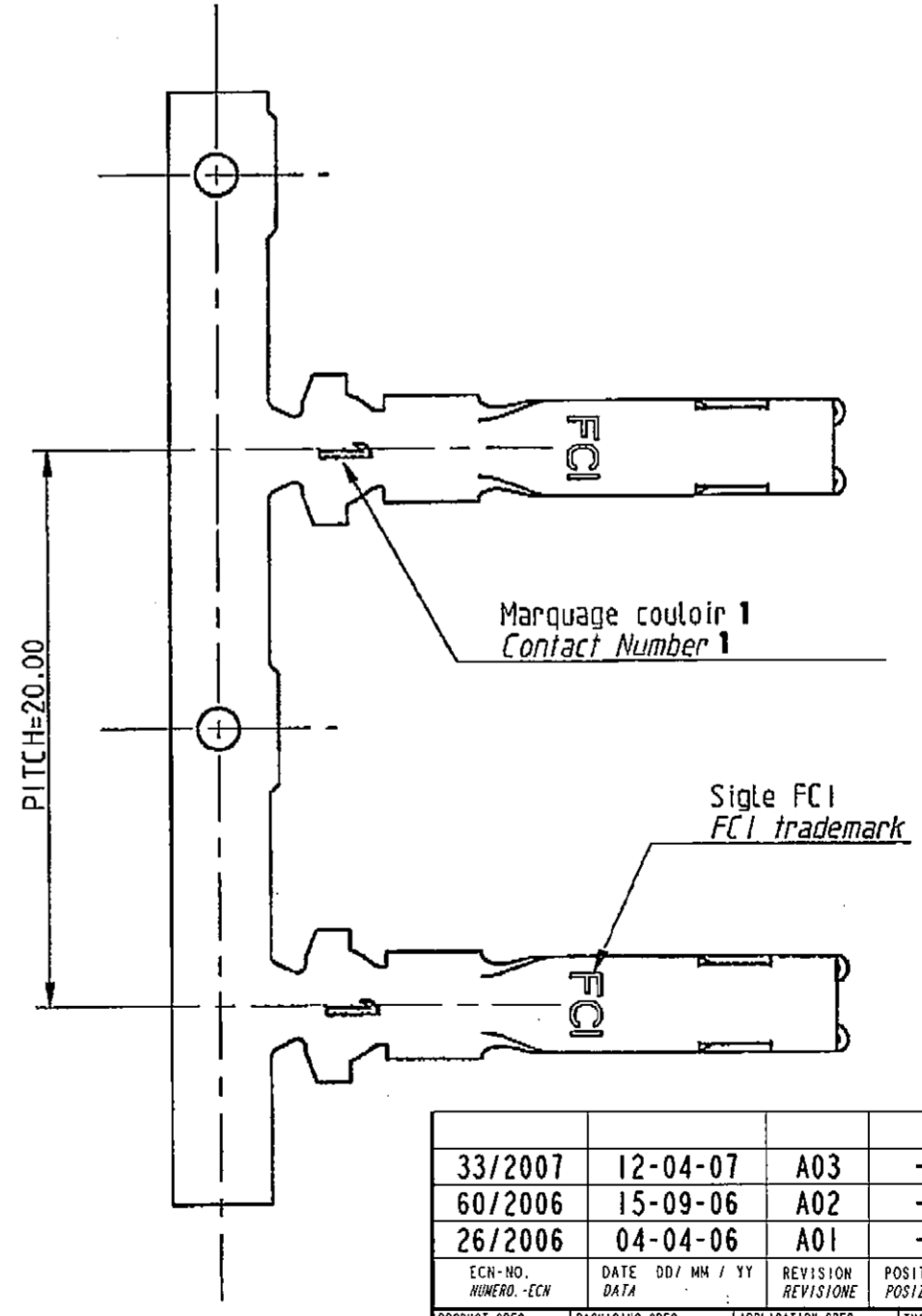


STRICTLY CONFIDENTIAL



REFERENCES							MATERIAL	CLASSE
STATE	UNSEALED	SWS	UNSEALED	SWS	UNSEALED	SWS	CuMg1	125/155°
Pre-Tinned Sn 3 To 6 u	17060001	17062000	17060000	17062010	17060002	17062020		
Post-Gilded 0.2 u int/ext	17062004	17062044	17062014	17062054	-	-		
Section	0.35 - 0.75		1 - 2.5		3.0 - 5.0			
∅ Insulation	1.2 to 1.9		1.9 to 3.0		3.2 to 4.0			
A	2.55		3.8		4.7			
B	2.6		4.0		4.95			
C	0.6		1.0		1.0			
D	3.85		4.5		6.45			
E	4.0		4.6		6.60			
F	1.15		1.4		1.5			
K±0.2	0.85		1.0		0.15			
L±0.2	0.75		0.2		-0.20			
M	1.4		0.85		2.3			
N	13.0		12.7		12.9			



33/2007	12-04-07	A03	-	Added Part Numbers for range 3.0-5.0	
60/2006	15-09-06	A02	-	Added Part Numbers for SWS and Gold Version	F.G. G.B. M.C.
26/2006	04-04-06	A01	-	UPDATE DRAWING	F.G. G.B. M.C.
ECH-NO. NUMERO - ECH	DATE DATA	DD / MM / YY	REVISIONE REVISIONE	POSIZIONE POSIZIONE	CHANGE DESCRIPTION DESCRIZIONE MODIFICA
PRODUCT SPEC. SPEC. DI PRODOTTO	PACKAGING SPEC. SPEC. DI IMBALLAGGIO	APPLICATION SPEC. SPEC. DI APPLICAZIONE	THIS DRAWING AND ALL OTHER INFORMATION CONTAINED THEREIN IS PROPRIETARY AND THE PROPERTY OF FCI. This drawing may not be copied, reproduced or disclosed to any third party without the expressed written permission of FCI.		QUESTO DISEGNO ED OGNI ALTRA INFORMAZIONE IN ESSO CONTENUTA SONO ESCLUSIVAMENTE DI PROPRIETA' DELLA FCI. Questo disegno non può essere copiato, riprodotto o divulgato a terzi senza l'espresso consenso scritto della FCI.
TOLERANCES TOLLERANZE	± 0.2 mm - / ± 0.2	MATERIALE : MATERIALE	SURFACE FINISH FINITURA SUPERFICIALE		
COUNTERPART N°. CONTROPARTE N°.		SEE TABLE			
DO NOT SCALE DRAWING DISEGNO FUORI SCALA			TOOL NO.	LOC. CODE NAZIONALITA'	IT
DRAWN BY DISEGNATORE	30-11-05 F. GIRARD	SICMA 2		DRAWING NUMBER NUMERO DISEGNO	FSD 309881
CHECKED BY CONTROLLATO	30-11-05 M. COLOMBO	2.8 x 0.8 FEMALE TERMINAL		FILE NAME NOME FILE	FSD 309881
APPROVED BY APPROVATO		ESR NO. NUMERO ESP	EU -	CAT. NO. NUMERO CAT.	SEE TABLE
					SCALE SCALA

1/2 SECTION L-L

X-ON Electronics

Largest Supplier of Electrical and Electronic Components

Click to view similar products for [Automotive Connectors](#) category:

Click to view products by [APTIV](#) manufacturer:

Other Similar products are found below :

[003-018-000](#) [60403001](#) [60993906-B](#) [629515004020001](#) [M902-2131](#) [M902-2161](#) [72.330.1035.1](#) [73.353.4028.0](#) [F119300-B](#) [F166900](#)
[F258300-B](#) [F358300-B](#) [F407400](#) [F444110](#) [F487000](#) [F509500B-B](#) [827153-1](#) [8N1515-32-24P](#) [9-1326729-8](#) [925474-1](#) [928905-1](#) [964562-4](#)
[968782-1](#) [GT17SA-8DS-HU](#) [98891-1012](#) [98947-1016](#) [12004475-L](#) [12010290](#) [12010309-B](#) [12015454](#) [12020219-B](#) [12020308](#) [12041318-B](#)
[12052225-L](#) [12052466](#) [12059125](#) [12064869](#) [12004327-B](#) [12010503-B](#) [12015308](#) [12015384](#) [12015909](#) [1-21030-1](#) [12041254](#) [12041318](#)
[12047946-B](#) [12047957](#) [12047957-L](#) [12059473](#) [12066261](#)