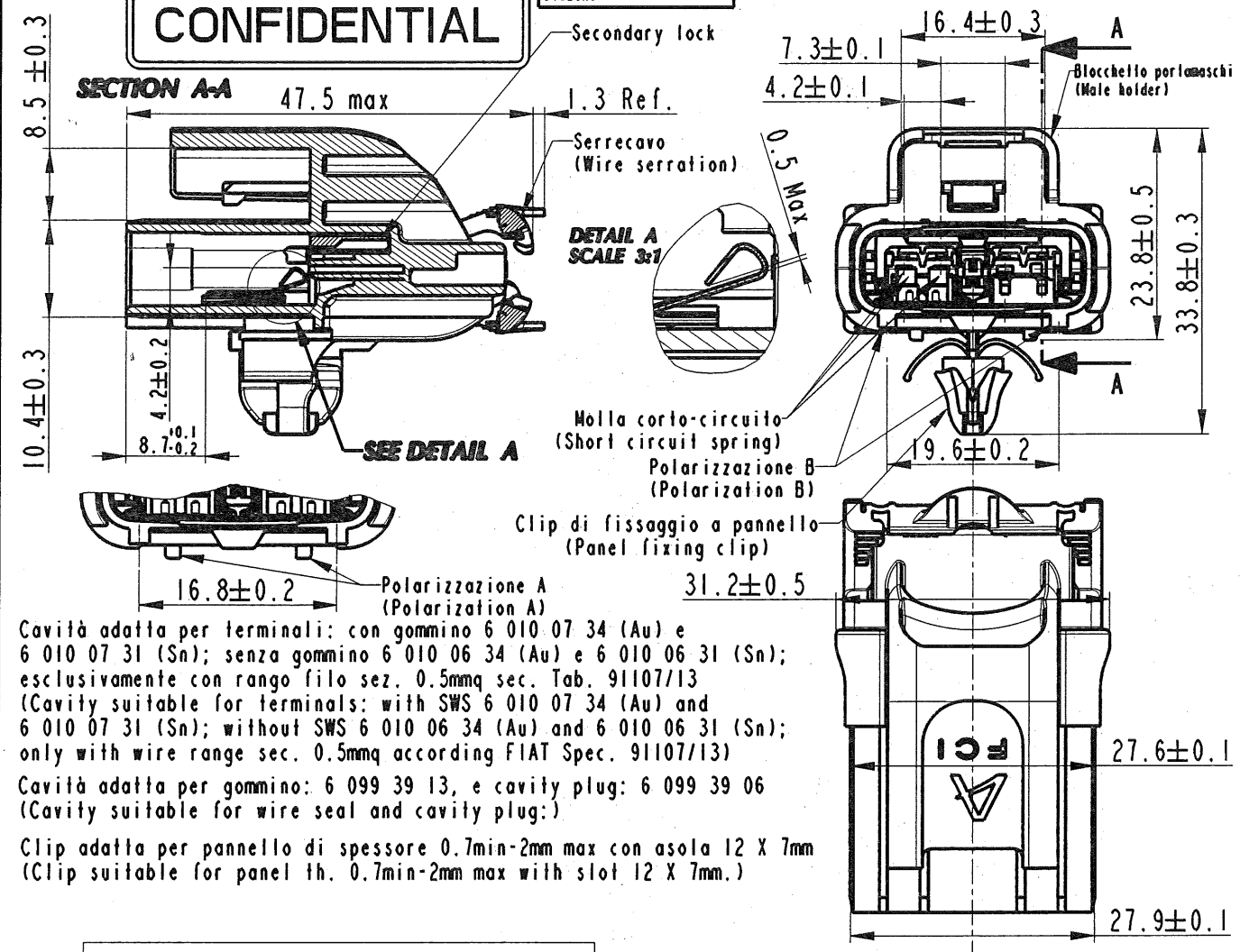


STRICTLY CONFIDENTIAL

DRAWING NUMBER / NUMERO DISEGNO: FSA 309655
 REVISION / REVISIONE: D
 SHEET / FOGLIO: 1/2
 APPROVAL LEVEL / LIV. DI APPROVAZIONE: -



Cavità adatta per terminali: con gommino 6 010 07 34 (Au) e 6 010 07 31 (Sn); senza gommino 6 010 06 34 (Au) e 6 010 06 31 (Sn); esclusivamente con rango filo sez. 0.5mmq sec. Tab. 91107/13 (Cavity suitable for terminals: with SWS 6 010 07 34 (Au) and 6 010 07 31 (Sn); without SWS 6 010 06 34 (Au) and 6 010 06 31 (Sn); only with wire range sec. 0.5mmq according FIAT Spec. 91107/13)

Cavità adatta per gommino: 6 099 39 13, e cavity plug: 6 099 39 06 (Cavity suitable for wire seal and cavity plug:)

Clip adatta per pannello di spessore 0.7min-2mm max con asola 12 X 7mm (Clip suitable for panel th. 0.7min-2mm max with slot 12 X 7mm.)

| Controparte/Counterpart | | |
|-------------------------|-----------------|-----------------|
| MVL PART NO. | DELPHI PART NO. | COLORE (Colour) |
| 17210435 | 10848166 | arancio(orange) |
| 17210455 | 13709723 | verde(green) |
| 17210445a | 13798673 | giallo(yellow) |

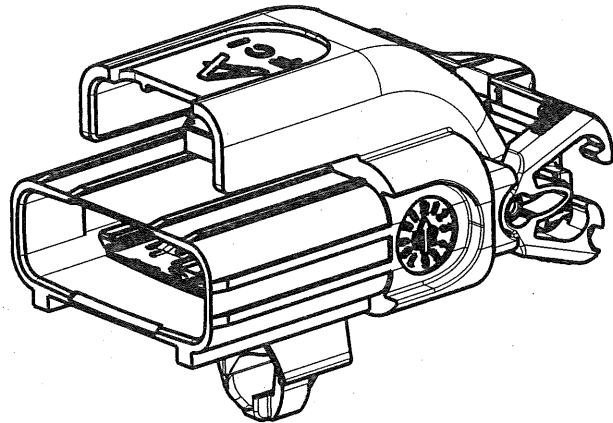
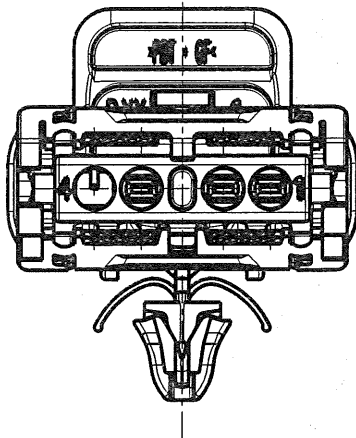
NOTE:
See sheet 2 for polarization and part numbers.

| ECN-NO. / NUMERO -ECN | DATE DD / MM / YY / DATA | REVISION / REVISIONE | POSITION / POSIZIONE | CHANGE DESCRIPTION / DESCRIZIONE MODIFICA | DRAWN BY / DISEGNATORE | CHK. BY / CONTROLLATO | APPR. BY / APPROVATO |
|-----------------------|--------------------------|----------------------|----------------------|---|------------------------|-----------------------|----------------------|
| 14-07742 | 23-07-2014 | D | | ADDED PART NUMERS DELPHI | | | |
| 14-00381 | 16-01-2014 | C | | Created New Part Number 33403512 for Natural Color Connector Erased Part number 17210456B (Green Color) | F.G. | | M.C. |
| 13-01227 | 09-01-2014 | B | | Add dimension for shorting clip | F.G. | G.B. | M.C. |
| 13-00282 | 07-03-2013 | A | | Updated formal and dimension of shorting clip position | F.G. | G.B. | M.C. |
| 12-08 | 18-02-2008 | 08 | | Aggiunto P/N 17210446b | D.T. | | M.C. |
| 71-07 | 09-11-2007 | 07 | | Aggiunto polarizzazione colore verde | D.T. | | M.C. |
| 42-07 | 18-05-2007 | 06 | | Chiuso cav. 4 nelle versioni arancio Ref. ECN | D.T. | | M.C. |
| 64-06 | 04/10/2006 | 05R | | Released for production doesn't require Quality Doc Updating | D.T. | | M.C. |

| | | | | | | | |
|--|---|---|---|---|--|---|-----------------------------|
| PRODUCT SPEC. / SPEC. DI PRODOTTO | PACKAGING SPEC. / SPEC. DI IMBALLAGGIO | APPLICATION SPEC. / SPEC. DI APPLICAZIONE | COPYRIGHT DELPHI CORPORATION AND/OR ITS AFFILIATES. ALL RIGHTS RESERVED. REVISED THIS DRAWING IS THE PROPERTY OF DELPHI CORPORATION. THE REPRODUCTION, DISTRIBUTION AND UTILIZATION OF THIS DOCUMENT OR ITS RELATED CAD DATA, AS WELL AS COMMUNICATION OF ANY CONTENT TO OTHERS, WITHOUT EXPRESS AUTHORIZATION IS PROHIBITED. | | | | |
| TOLERANCES / TOLLERANZE: ± 0.3mm / ± 2' | COUNTERPART N° / CONTROPARTE N°: SEE NOTE | MATERIAL: / MATERIALE: SEE TABLE | COLOUR: / COLORE: SEE TABLE | SURFACE FINISH / FINITURA SUPERFICIALE | DELPHI PACKARD ELECTRICAL/ELECTRONIC ARCHITECTURE TORINO, ITALY | | CAD SYSTEM / pro / eaq. |
| DO NOT SCALE DRAWING / DISEGNO FUORI SCALA | DATE / DATA: 11-03-03 | NAME / NOME: G.B. | TITLE / DESCRIZIONE: CONN. PORTAMASCHI 4 WAY AIR BAG CON CLIP INTEGRATA (1 MOLLA CORTOCIRCUITO) (4 WAY M.H. WITH CLIP 1 SHORT CIRCUIT SPRING) | LOC. CODE / NAZIONALITA': IT | ISO PROJECTION / PROIEZIONE ISO | DIMENSION IN MILLIMETERS / DIMENSIONI IN MILLIMETRI | DWG SIZE / FORMATO: A4 |
| DRAWN BY / DISEGNATORE: 11-03-03 G.B. | CHECKED BY / CONTROLLATO: 11-03-03 P.C.B. | APPROVED BY / APPROVATO: | ESR NO. / NUMERO ESR: EU020151 | CAT. NO. / NUMERO CAT.: SEE TABLE SHEET 2 | FILE NAME / NOME FILE: FSA 309655 | DRAWING NUMBER / NUMERO DISEGNO: FSA 309655 | SHEET / FOGLIO: 1 of 1 di 2 |
| | | | SCALE / SCALA: 1:3:1 | | | | |

**STRICTLY
CONFIDENTIAL**

DRAWING NUMBER / NUMERO DISEGNO: FSA 309655
 REVISION / REVISIONE: D
 SHEET / FOGLIO: 2/2
 APPROVAL LEVEL / LIV. DI APPROVAZIONE: -
 DRAWING / DISEGNO: C



| POL | Blocchetto portamaschi (Male holder) | Cavità aperte (Open cavities) | Q.tà Molla (Spring q.ty) | Secondary lock | Molla corto.circ. (Short circuit spring) | Serracavo (Wire serr.) | DESCRIZIONE (Description) |
|-----|---------------------------------------|-------------------------------|--------------------------|--|---|------------------------|---|
| | PBT | | | PA 6.6 Viola (Violet) | Lega di rame (Copper alloy) Rivestimento Au (Au surface) | PBT Nero (Black) | MATERIALE (Material) COLORE (Colour) |
| A | Polariz. A Col. Giallo (Yellow) | 1, 2, 3, 4 | 2 | 1 721 04 46 b Rev.A 33511070 Rev.01 | MVL DELPHI | PART NUMBER | |
| B | Polariz. B Col. Arancione (Orange) | 1, 2, 3 | 1 | 1 721 04 36 b Rev.A 33500286 Rev.01 | MVL DELPHI | | |
| C | Polariz. B Col. Verde (Green) | 1, 2, 3, 4 | 2 | 1 721 04 56 b Rev.A 13709722 Rev.01 | MVL DELPHI | | |

| ECN-NO. / NUMERO - ECN | DATE DD / MM / YY / DATA | REVISION / REVISIONE | POSITION / POSIZIONE | CHANGE DESCRIPTION / DESCRIZIONE MODIFICA | DRAWN BY / DISEGNATORE | CHK. BY / CONTROLLATO | APPR. BY / APPROVATO |
|------------------------|--------------------------|----------------------|----------------------|--|------------------------|-----------------------|----------------------|
| 14-07742 | 23-07-2014 | D | | ADDED PART NUMBERS DELPHI | | | |
| 14-00381 | 16-01-2014 | C | | Created New Part Number 33403512 For Natural Connector Erased Part Number 17210456B (Green Color) | F.G. | | M.C. |
| 13-01227 | 01-09-2014 | B | | Add dimension for shorting clip | F.G. | G.B. | M.C. |
| 13-00282 | 07-03-2013 | A | | Updated format and dimension of shorting clip position | F.G. | G.B. | M.C. |
| 12-08 | 18-02-2008 | 08 | | Aggiunto P/N 17210446b | D.T. | | M.C. |
| 71-07 | 09-11-2007 | 07 | | Aggiunto polarizzazione colore verde | D.T. | | M.C. |
| 42-07 | 18-05-2007 | 06 | | Chiuso cav. 4 nelle versioni Arancio Ref. ECN | D.T. | | M.C. |
| 64-06 | 04-10-2006 | 05R | | Released for production doesn't require Quality Doc Updating | D.T. | | M.C. |

| | | | | | | | | | | |
|---|--|---|--|---|---|--|---|--|--|--|
| PRODUCT SPEC. / SPEC. DI PRODOTTO | PACKAGING SPEC. / SPEC. DI IMBALLAGGIO | APPLICATION SPEC. / SPEC. DI APPLICAZIONE | COPYRIGHT DELPHI CORPORATION AND/OR ITS AFFILIATES. ALL RIGHTS RESERVED. REVISED THIS DRAWING IS THE PROPERTY OF DELPHI CORPORATION. THE REPRODUCTION, DISTRIBUTION AND UTILIZATION OF THIS DOCUMENT OR ITS RELATED CAD MATH DATA, AS WELL AS COMMUNICATION OF ANY CONTENT TO OTHERS, WITHOUT EXPRESS AUTHORIZATION IS PROHIBITED. | | | | | QUESTO DISEGNO E' PROPRIETA' DI DELPHI CORPORATION E CONTIENE INFORMAZIONI CONFIDENZIALI. LA RIPRODUZIONE, DISTRIBUZIONE E UTILIZZAZIONE DI QUESTO DOCUMENTO O DELLE SUE RELATIVE MATEMATICHE CAD, NONCHE LA COMUNICAZIONE DI QUALSIASI CONTENUTO AD ALTRI, SENZA ESPlicitA AUTORIZZAZIONE, E PROIBITA | | |
| TOLERANCES / TOLLERANZE: ± 0.3mm / ± 2' | MATERIAL: SEE TABLE | COLOUR: SEE TABLE | SURFACE FINISH / FINITURA SUPERFICIALE | DELPHI DELPHI PACKARD ELECTRICAL/ELECTRONIC ARCHITECTURE TORINO, ITALY | | | CAD SYSTEM pro / eag. | | | |
| COUNTERPART N° / CONTROPARTE N°: SEE NOTE | DO NOT SCALE DRAWING / DISEGNO FUORI SCALA | TOOL NO.: | LOC. CODE / NAZIONALITA': IT | C ISO PROJECTION / PROIEZIONE ISO | | | DIMENSION IN MILLIMETERS / DIMENSIONI IN MILLIMETRI | | | |
| DRAWN BY / DISEGNATORE: 11-03-03 G.B. | CHECKED BY / CONTROLLATO: 11-03-03 P.C.B. | TITLE / DESCRIZIONE: CONN. PORTAMASCHI 4 WAY AIR BAG CON CLIP INTEGRATA (1 MOLLA CORTOCIRCUITO) (4 WAY M.H. WITH CLIP 1 SHORT CIRCUIT SPRING) | | | DRAWING NUMBER / NUMERO DISEGNO: FSA 309655 | | | SHEET / FOGLIO: 2 of 2 | | |
| APPROVED BY / APPROVATO: | ESR NO. / NUMERO ESR: EU020151 | CAT. NO. / NUMERO CAT.: SEE TABLE | FILE NAME / NOME FILE: FSA 309655 | SCALE / SCALA: 1:1 | | | | | | |

X-ON Electronics

Largest Supplier of Electrical and Electronic Components

Click to view similar products for [Automotive Connectors](#) category:

Click to view products by [APTIV](#) manufacturer:

Other Similar products are found below :

[003-018-000](#) [60403001](#) [60993906-B](#) [629515004020001](#) [M902-2131](#) [M902-2161](#) [72.330.1035.1](#) [73.353.4028.0](#) [F119300-B](#) [F166900](#)
[F258300-B](#) [F358300-B](#) [F407400](#) [F444110](#) [F487000](#) [F509500B-B](#) [827153-1](#) [8N1515-32-24P](#) [9-1326729-8](#) [925474-1](#) [928905-1](#) [964562-4](#)
[968782-1](#) [GT17SA-8DS-HU](#) [98891-1012](#) [98947-1016](#) [12004475-L](#) [12010290](#) [12010309-B](#) [12015454](#) [12020219-B](#) [12020308](#) [12041318-B](#)
[12052225-L](#) [12052466](#) [12059125](#) [12064869](#) [12004327-B](#) [12010503-B](#) [12015308](#) [12015384](#) [12015909](#) [1-21030-1](#) [12041254](#) [12041318](#)
[12047946-B](#) [12047957](#) [12047957-L](#) [12059473](#) [12066261](#)