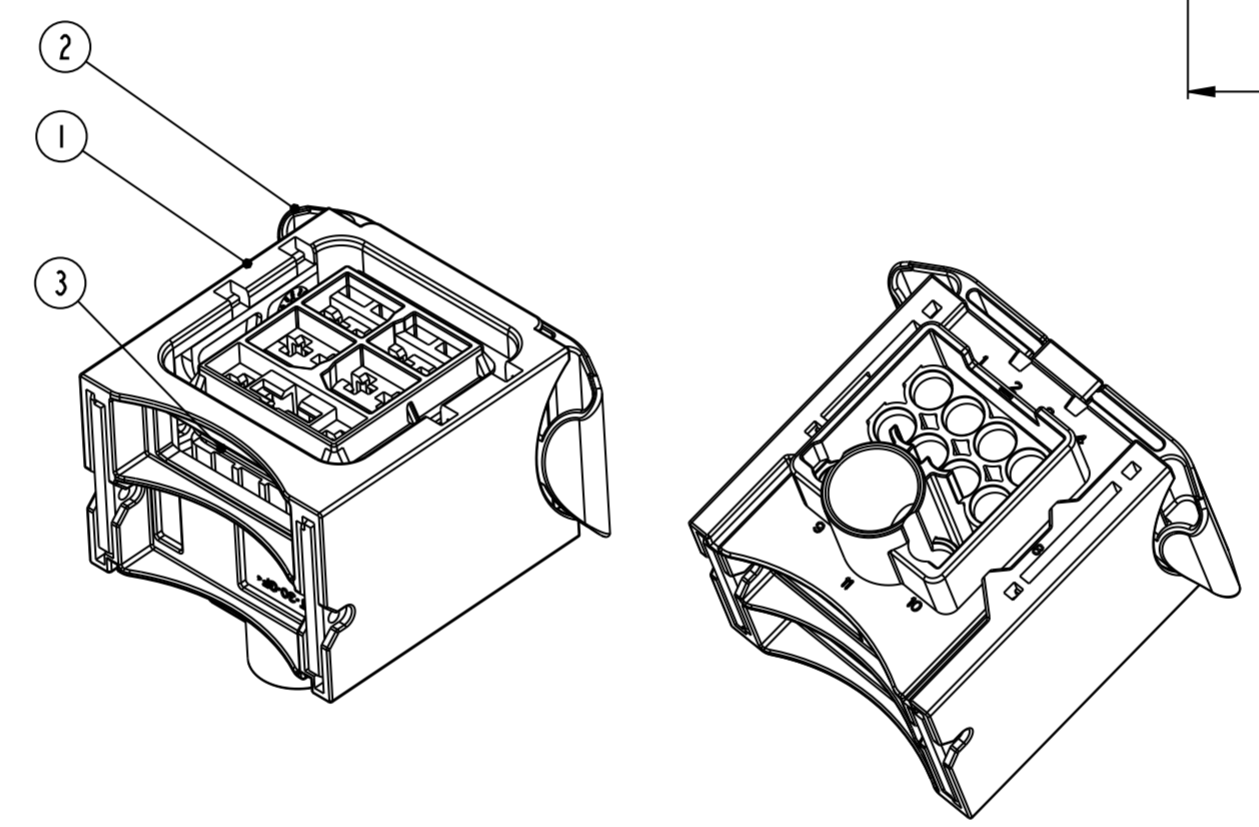
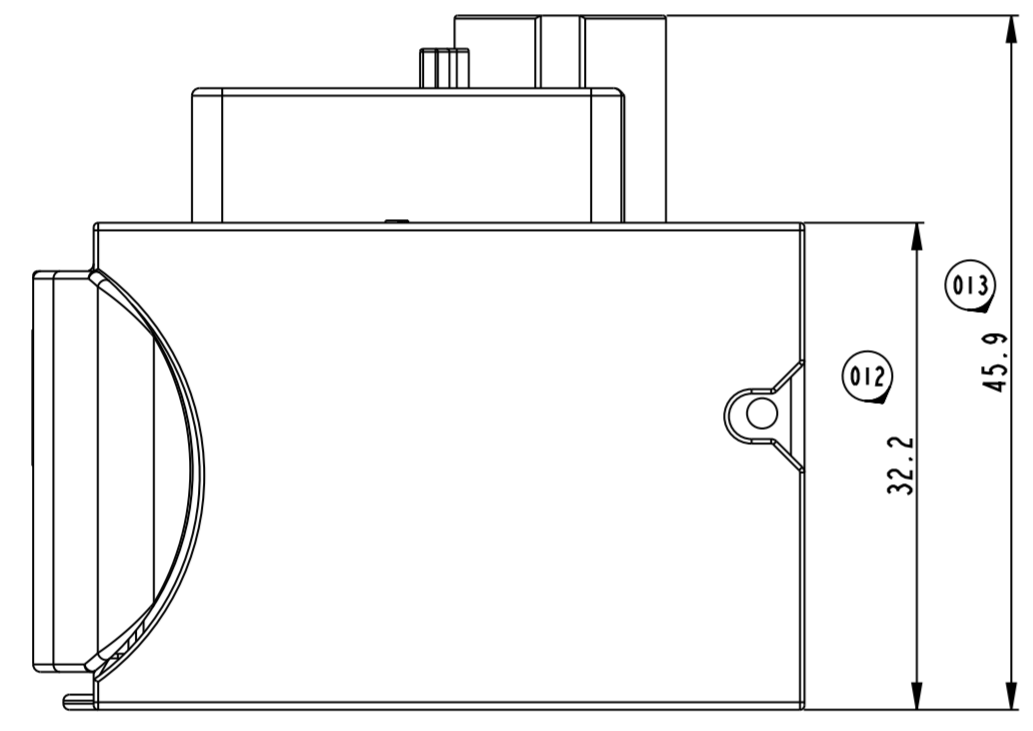
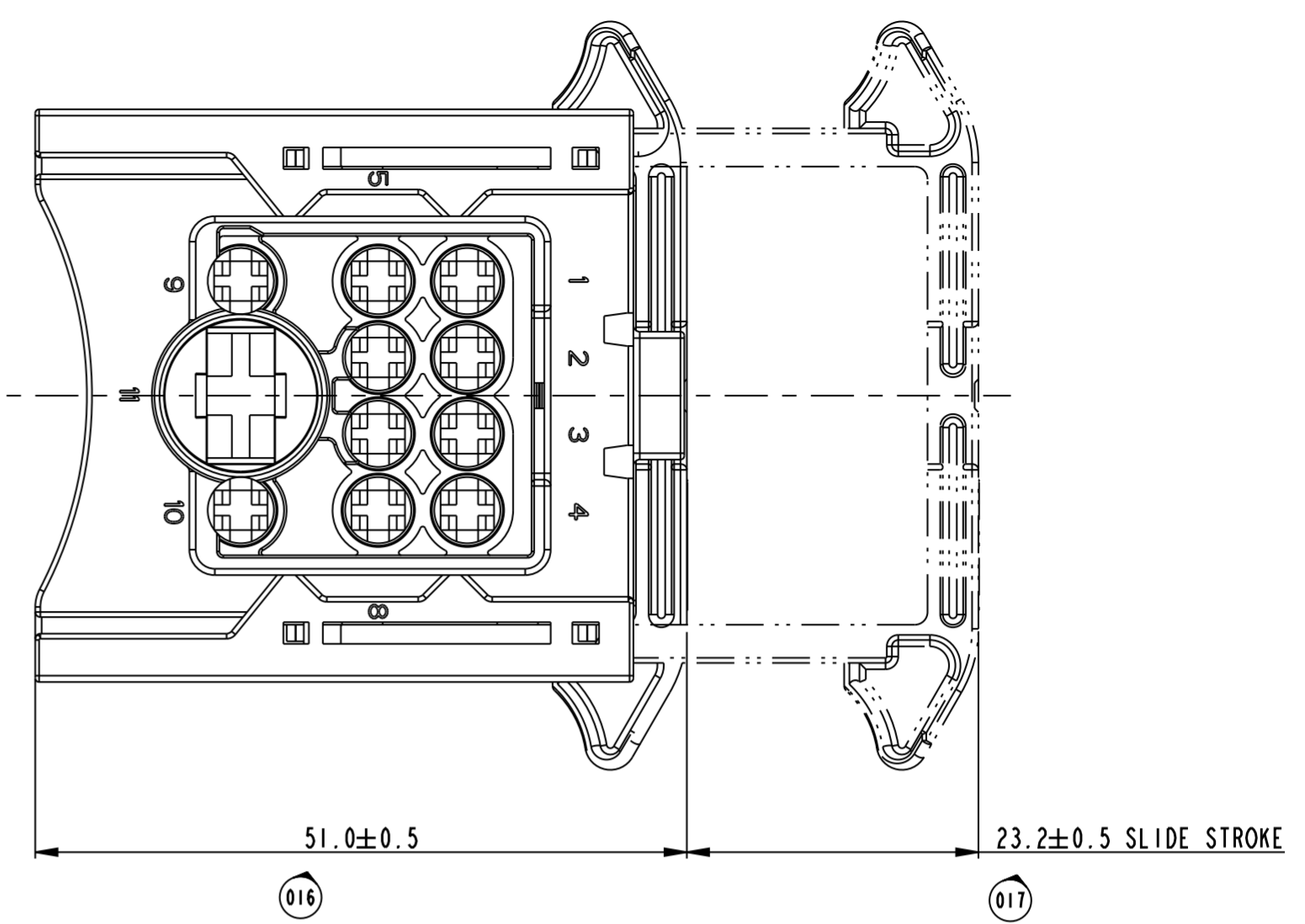
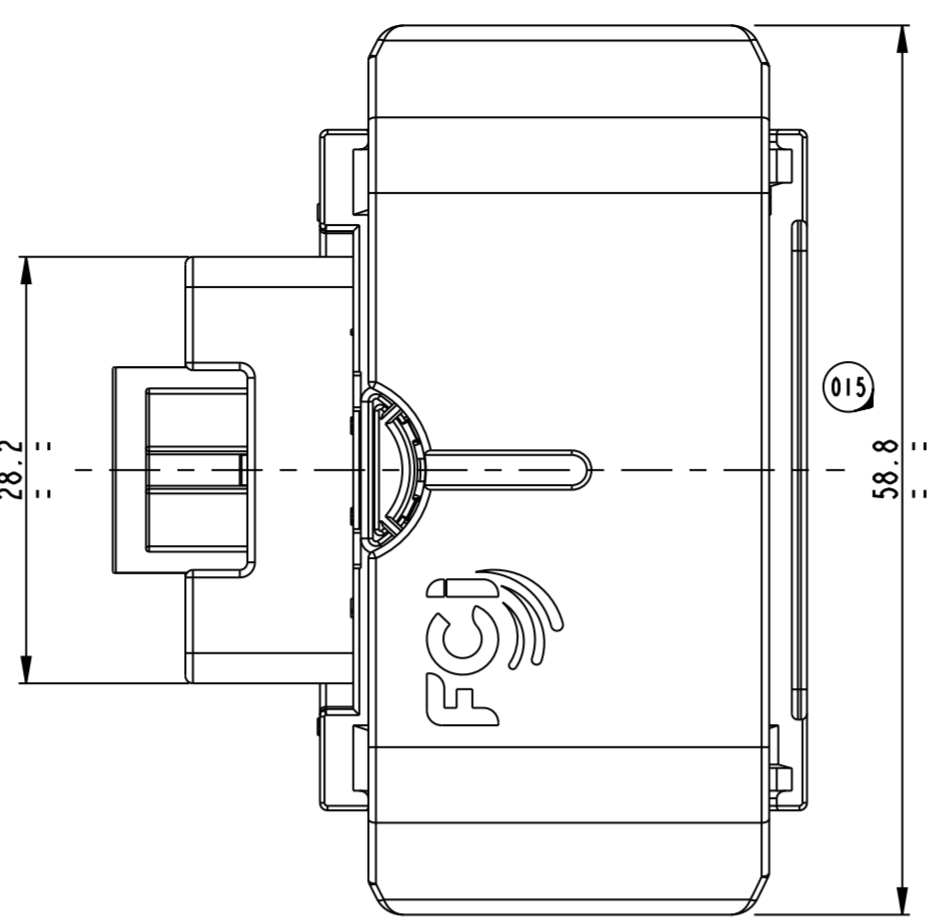
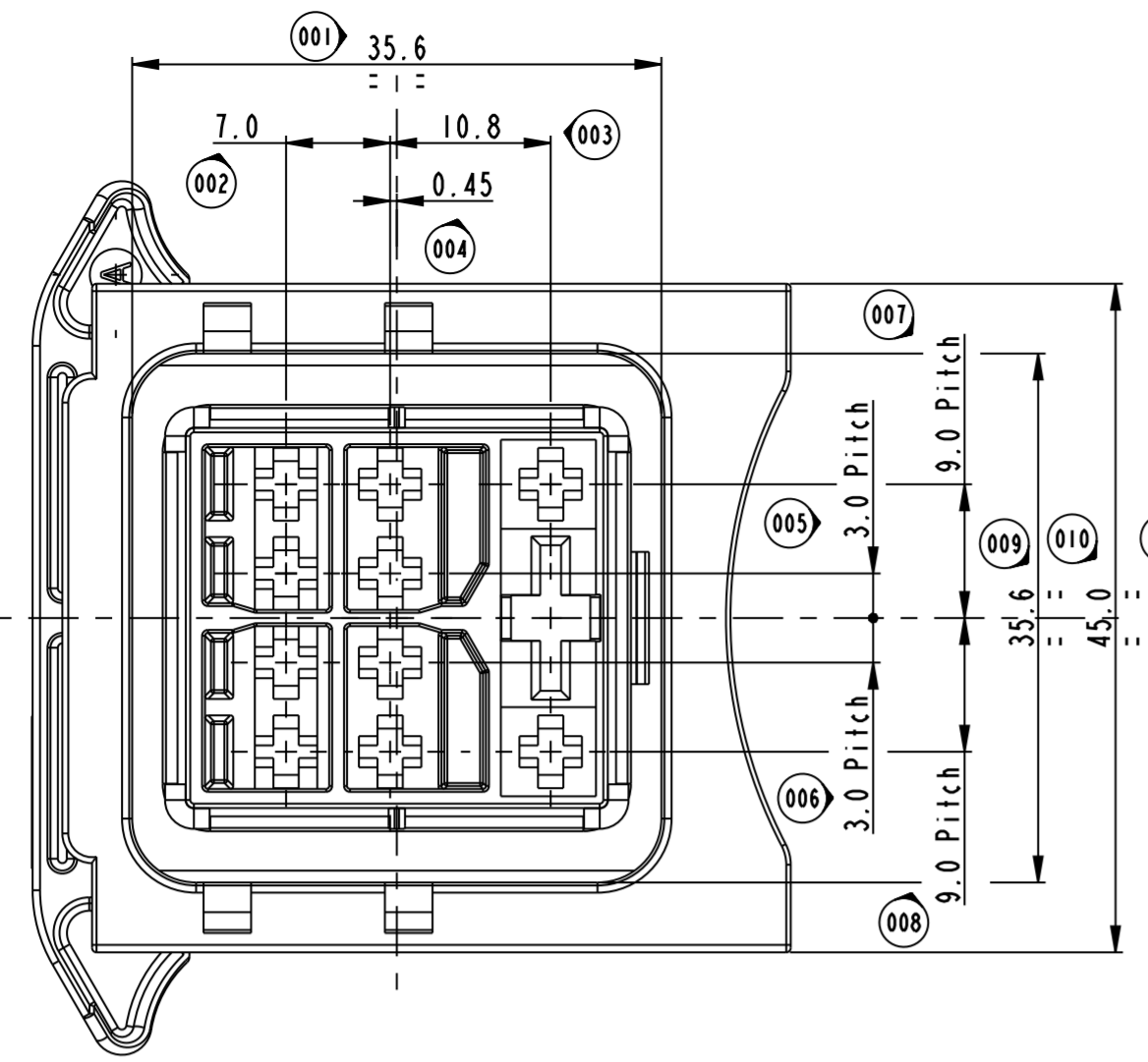


LAY OUT 11 WAY



9.5mm FEMALE TERM. P/N F682210	8.0-10.0	60993304 YELLOW	5.4-6.6	60993306 WHITE
9.5mm FEMALE TERM. P/N F582210	6.0	60993301 BLACK	3.8-5.2	
9.5mm FEMALE TERM. P/N 60070451	4.0	60993308 GREEN	3.4-3.7	
DCS2 2.8mm FEMALE TERM. P/N 60012941	1.5-2.5	60994034 YELLOW	2.7-2.9	60994007 GREEN
		60994023 RED	2.2-2.6	
DCS2 2.8mm FEMALE TERM. P/N 60012931	0.5-1.0	60994015 BLUE	1.2-2.0	
DCS2 2.8mm FEMALE TERM. P/N 60012911	0.35			
USABLE TERMINAL FOR THIS CONNECTOR	WIRE SIZE	P/N SWS COLOUR	∅ INSULATION	P/N CAVITY PLUG COLOUR

ASSEMBLY CONFIGURATIONS

LAY OUT	9 WAY	7 WAY	10 WAY	11 WAY	
	BLIND CAVITIES				
P/N	1721105	F554310	F654310	1721105A	
REV.	A	A	A	A	
CLOSED CAVITIES	5, 8	2, 3, 5, 8	9	none	
1 HOUSING	BLACK	DARK BROWN	DARK GREEN	GREY	PBT 30GF
2 SLIDE	RED	RED	RED	VIOLET	PA66 30GF
3 SEAL	RED	RED	RED	RED	SILICON RUBBER
REF. COMPONENT	COLOR				MATERIAL

STRICTLY CONFIDENTIAL

12-01246	26/09/12	C	PN F682210 replaced 60070471 and F582210 replaced 60070461	DT	MC
12-00609	07/05/12	B	Added new layout 7way and 10way (ESR EU-120263) and layout 11way	DT	MC
12-00042	08/02/12	A	Modified cavities position of the 9way as the 11way (ref.eca 12-01212)	DT	MC
			Changed Slide colour and drawing description	DT	MC
ECH-NO. NUMERO ECH	DATE DD / MM / YY	REVISION REVISIONE	POSITION POSIZIONE	CHANGE DESCRIPTION DESCRIZIONE MODIFICA	
1721105	30/07/04	R.P.	T.C.	DRAWN BY: DISSEGNO CHECKED BY: CONTROLLATO APPROVED BY: APPROVATO	
PRODUCT SPEC. SPEC. DI PRODOTTO	PACKAGING SPEC. SPEC. DI IMBALLAGGIO	APPLICATION SPEC. SPEC. DI APPLICAZIONE	THIS DRAWING AND ALL OTHER INFORMATION CONTAINED HEREIN IS PROPRIETARY AND THE PROPERTY OF FCI. This drawing may not be copied, reproduced or disclosed to any third party without the expressed written permission of FCI.		
IPS 292	17211105	IPS 293	QUESTO DISEGNO ED OGNI ALTRA INFORMAZIONE IN ESSO CONTENUTA SONO ESCLUSIVAMENTE DI PROPRIETA' DELLA FCI. Questo disegno non può essere copiato, riprodotto o divulgato a terzi senza l'espresso consenso scritto della FCI. © FCI April 1999		
TOLERANCES TOLLERANZE	± 0.3 mm / ± P	MATERIAL: MATERIALE	SEE TABLE	SURFACE FINISH FINITURA SUPERFICIALE	
COUNTERPART N. CONTROPARTE N.		COLOUR: COLORE	SEE TABLE		
DO NOT SCALE DRAWING DISEGNO FUORI SCALA		TOOL NO.		LOC. CODE NAZIONALITA'	IT
DRAWN BY: DISSEGNO	DATE DATA	NAME NOME	TITLE DESCRIZIONE	DRAWING NUMBER NUMERO DISEGNO	FSD 309771
CHECKED BY: CONTROLLATO	30/07/04	R.P.	CONNECTOR FOR GLOW PLUG UNIT	FILE NAME NUMERO FILE	fsd309771
APPROVED BY: APPROVATO	30/07/04	T.C.	CONNECTION FOR GLOW PLUG UNIT	SCALE SCALA	1:1

## X-ON Electronics

Largest Supplier of Electrical and Electronic Components

*Click to view similar products for [Automotive Connectors](#) category:*

*Click to view products by [APTIV](#) manufacturer:*

Other Similar products are found below :

[003-018-000](#) [60403001](#) [60993906-B](#) [629515004020001](#) [M902-2131](#) [M902-2161](#) [72.330.1035.1](#) [73.353.4028.0](#) [F119300-B](#) [F166900](#)  
[F258300-B](#) [F358300-B](#) [F407400](#) [F444110](#) [F487000](#) [F509500B-B](#) [827153-1](#) [8N1515-32-24P](#) [9-1326729-8](#) [925474-1](#) [928905-1](#) [964562-4](#)  
[968782-1](#) [GT17SA-8DS-HU](#) [98891-1012](#) [98947-1016](#) [12004475-L](#) [12010290](#) [12010309-B](#) [12015454](#) [12020219-B](#) [12020308](#) [12041318-B](#)  
[12052225-L](#) [12052466](#) [12059125](#) [12064869](#) [12004327-B](#) [12010503-B](#) [12015308](#) [12015384](#) [12015909](#) [1-21030-1](#) [12041254](#) [12041318](#)  
[12047946-B](#) [12047957](#) [12047957-L](#) [12059473](#) [12066261](#)