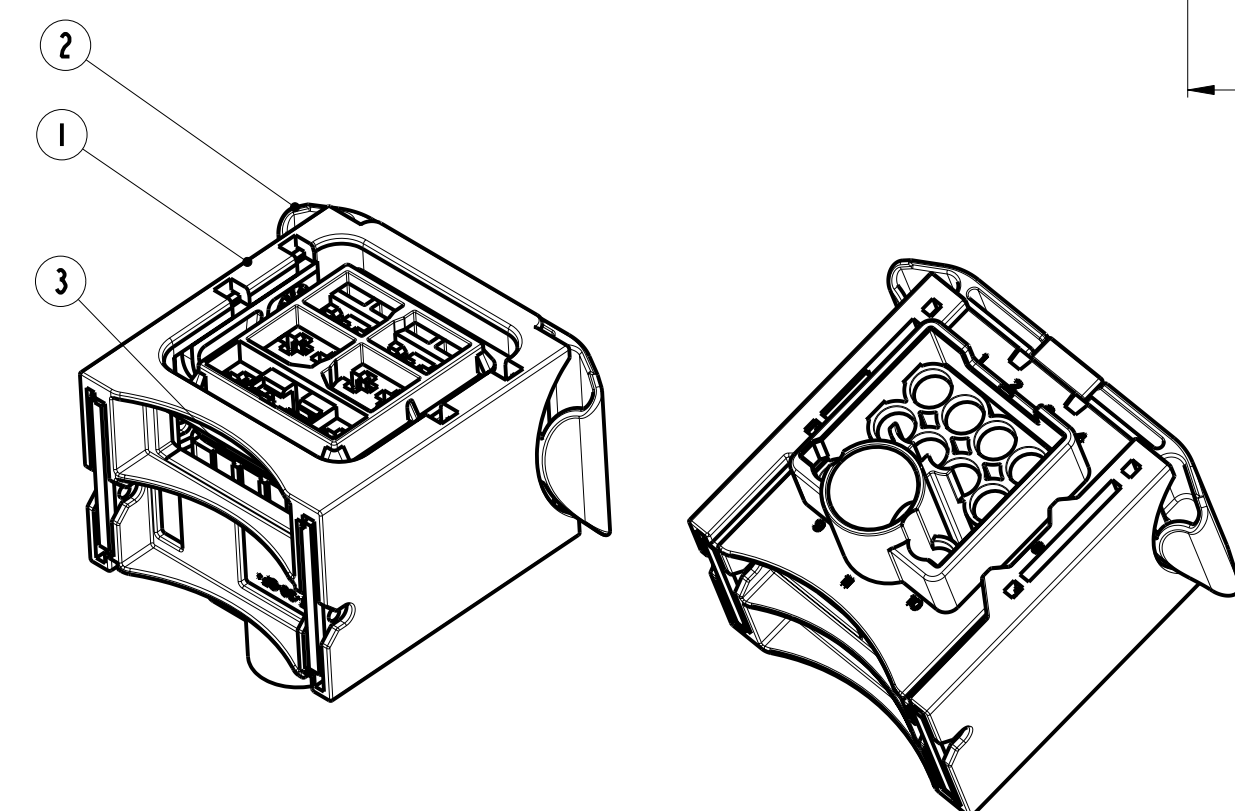
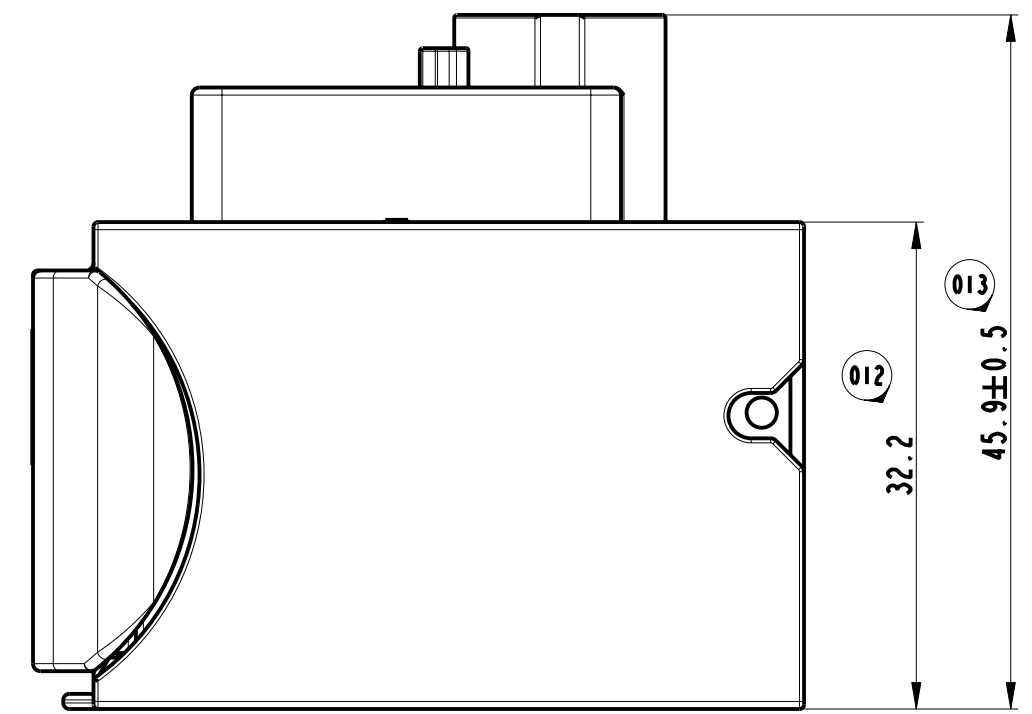
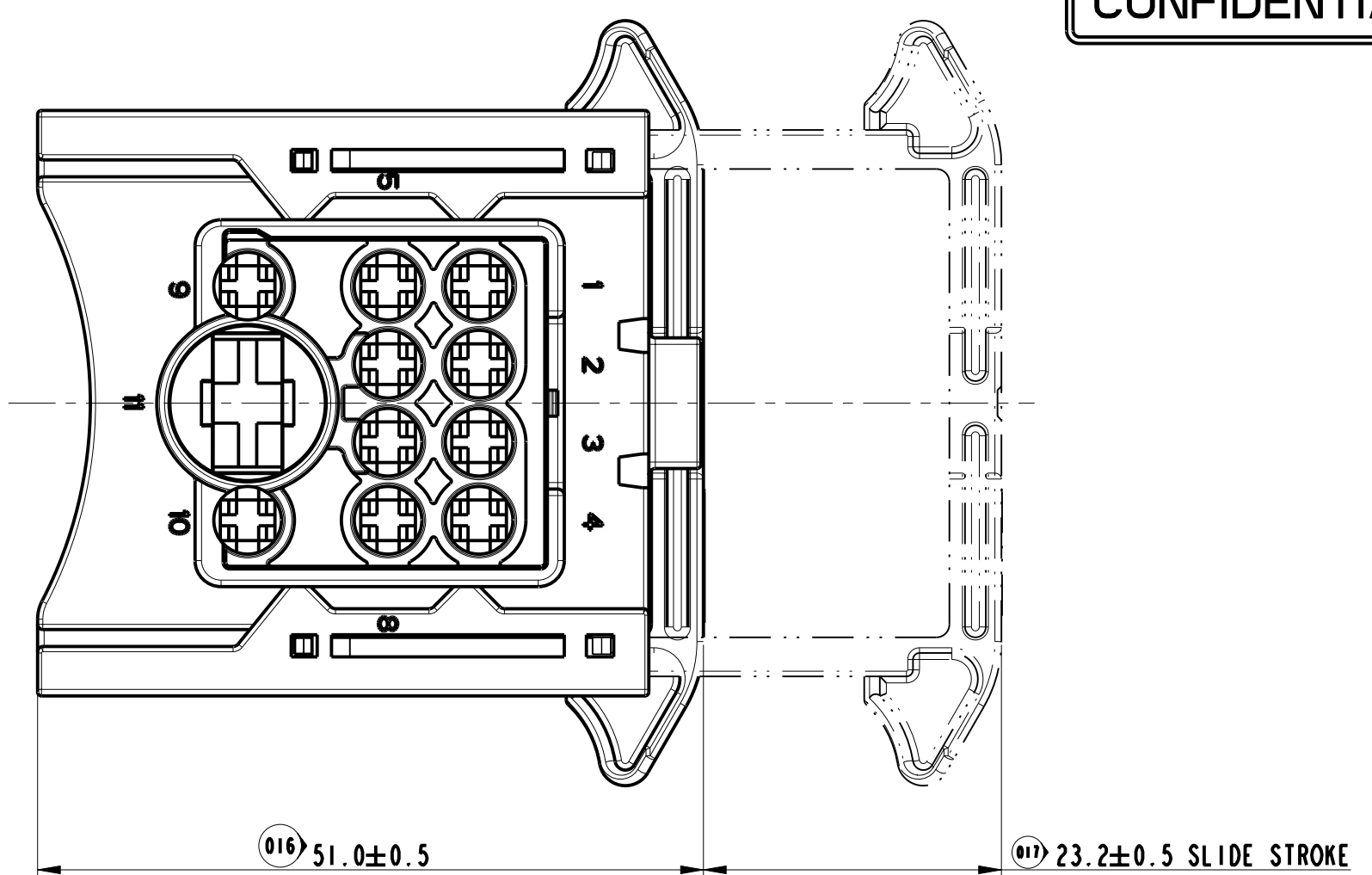
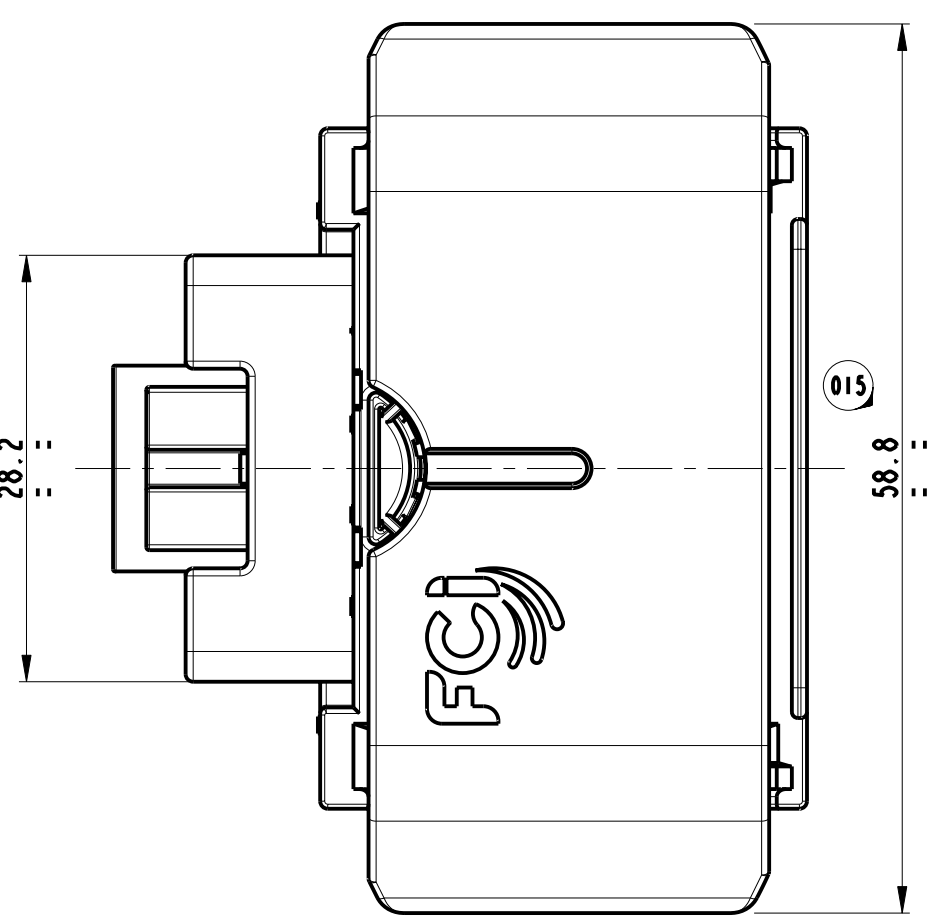
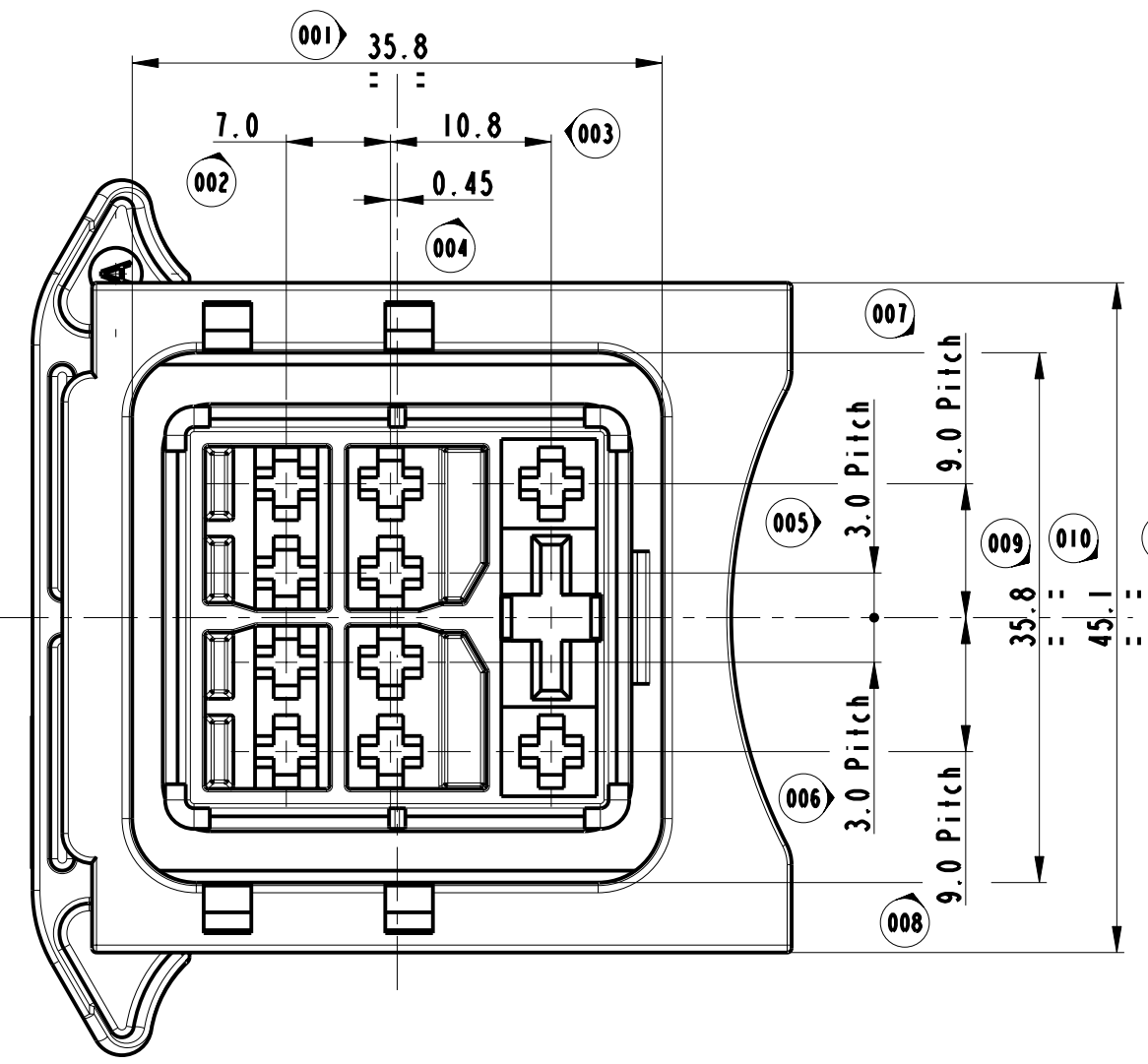


**STRICTLY CONFIDENTIAL**

**LAY OUT 11 WAY**



9.5mm FEMALE TERM. P/N	8.0-10.0	60993304 YELLOW	10889241 YELLOW	5.4-6.6	60993306 WHITE	12186633 WHITE
9.5mm FEMALE TERM. P/N F582210	6.0	60993301 BLACK	15327788 BLACK	3.8-5.2		
9.5mm FEMALE TERM. P/N 60070451	4.0	60993308 GREEN	13546490 GREEN	3.4-3.7		
DCS2 2.8mm FEMALE TERM. P/N 60012941	1.5-2.5	60994034 YELLOW	10779161 YELLOW	2.7-2.9	60994007 GREEN	10779160 GREEN
		60994023 RED	10779159 RED	2.2-2.6		
DCS2 2.8mm FEMALE TERM. P/N 60012931	0.5-1.0	60994015 BLUE	10779162 BLUE	1.2-2.0		
DCS2 2.8mm FEMALE TERM. P/N 60012911	0.35					
USABLE TERMINAL FOR THIS CONNECTOR	WIRE SIZE	MVL P/N SWS COLOUR	DELPHI P/N SWS COLOUR	Ø INSULATION	MVL P/N CAVITY PLUG COLOUR	DELPHI P/N CAVITY PLUG COLOUR

**ASSEMBLY CONFIGURATIONS**

LAY OUT	9 WAY	7 WAY	10 WAY	11 WAY	
<b>DELPHI P/N</b>	13653766	33504496	33504497	13773530	
<b>REV.</b>	01	01	01	01	
<b>MVL P/N</b>	1721105	F554310	F654310	1721105A	
<b>REV.</b>	A	A	A	A	
<b>CLOSED CAVITIES</b>	5, 8	2, 3, 5, 8	9	none	
<b>1 HOUSING</b>	BLACK	DARK BROWN	DARK GREEN	GREY	<b>PBT 30GF</b>
<b>2 SLIDE</b>	RED	RED	RED	VIOLET	<b>PA66 30GF</b>
<b>3 SEAL</b>	RED	RED	RED	RED	<b>SILICON RUBBER</b>
<b>REF. COMPONENT</b>					<b>MATERIAL</b>

PRODUCT SPEC.	PACKAGING SPEC.	APPLICATION SPEC.	COPYRIGHT
15-11342	30/01/15	F	-
--	30/11/12	E	-
--	06/11/12	D	-
12-01246	26/09/12	C	-
12-00609	07/05/12	B	-
12-00042	08/02/12	A	-

ECN-NO.	DATE	DD / MM / YY	REVISION	POSITION	CHANGE DESCRIPTION	DRAWN BY	CHK. BY	APPR. BY
15-11342	30/01/15		F		DELPHI P/N ADDED	FG		MC
--	30/11/12		E		Correction dimension 013, 010 and general tolerance value	DT		MC
--	06/11/12		D		Correction on dimension 010 and 010. New logo	DT		MC
12-01246	26/09/12		C		PN F682210 replaced 60070471 and F582210 replaced 60070461	DT		MC
12-00609	07/05/12		B		Added new layout 7way and 10way (ESR EU-120263) and layout 11way	DT		MC
12-00042	08/02/12		A		Modified cavities position of the 9way as the 11way (ref eca 12-01212)	DT		MC
12-00042	08/02/12		A		Changed Slide colour and drawing description	DT		MC

PRODUCT SPEC.	PACKAGING SPEC.	APPLICATION SPEC.	COPYRIGHT
IPS 292	17211105	IPS 293	DELPHI CORPORATION AND/OR ITS AFFILIATES. ALL RIGHTS RESERVED. REVISED

TOLERANCES	MATERIAL	SURFACE FINISH	DELPHI
± 0.3mm / ± 0.1	SEE TABLE	FINITURA SUPERFICIALE	DELPHI PACKARD ELECTRICAL/ELECTRONIC ARCHITECTURE TORINO, ITALY
DO NOT SCALE DRAWING	COLOUR: SEE TABLE	LOC. CODE	ISO PROJECTION
DISEGNO FUORI SCALA	TOOL NO.	NAZIONALITA'	PROIEZIONE ISO
		IT	

DRAWN BY	DATE	NAME	TITLE	DRAWING NUMBER
30/07/04	30/07/04	R.P.	CONNECTOR FOR GLOW PLUG UNIT	FSD 309771
30/07/04	30/07/04	T.C.		
30/07/04	30/07/04	T.C.		

ESR-NO.	CAT. NO.	FILE NAME	SCALE
EU 120263	SEE TABLE	f3d309771	1:1

## X-ON Electronics

Largest Supplier of Electrical and Electronic Components

*Click to view similar products for [Automotive Connectors](#) category:*

*Click to view products by [APTIV](#) manufacturer:*

Other Similar products are found below :

[003-018-000](#) [60403001](#) [60993906-B](#) [629515004020001](#) [M902-2131](#) [M902-2161](#) [72.330.1035.1](#) [73.353.4028.0](#) [F119300-B](#) [F166900](#)  
[F258300-B](#) [F358300-B](#) [F407400](#) [F444110](#) [F487000](#) [F509500B-B](#) [827153-1](#) [8N1515-32-24P](#) [9-1326729-8](#) [925474-1](#) [928905-1](#) [964562-4](#)  
[968782-1](#) [GT17SA-8DS-HU](#) [98891-1012](#) [98947-1016](#) [12004475-L](#) [12010290](#) [12010309-B](#) [12015454](#) [12020219-B](#) [12020308](#) [12041318-B](#)  
[12052225-L](#) [12052466](#) [12059125](#) [12064869](#) [12004327-B](#) [12010503-B](#) [12015308](#) [12015384](#) [12015909](#) [1-21030-1](#) [12041254](#) [12041318](#)  
[12047946-B](#) [12047957](#) [12047957-L](#) [12059473](#) [12066261](#)