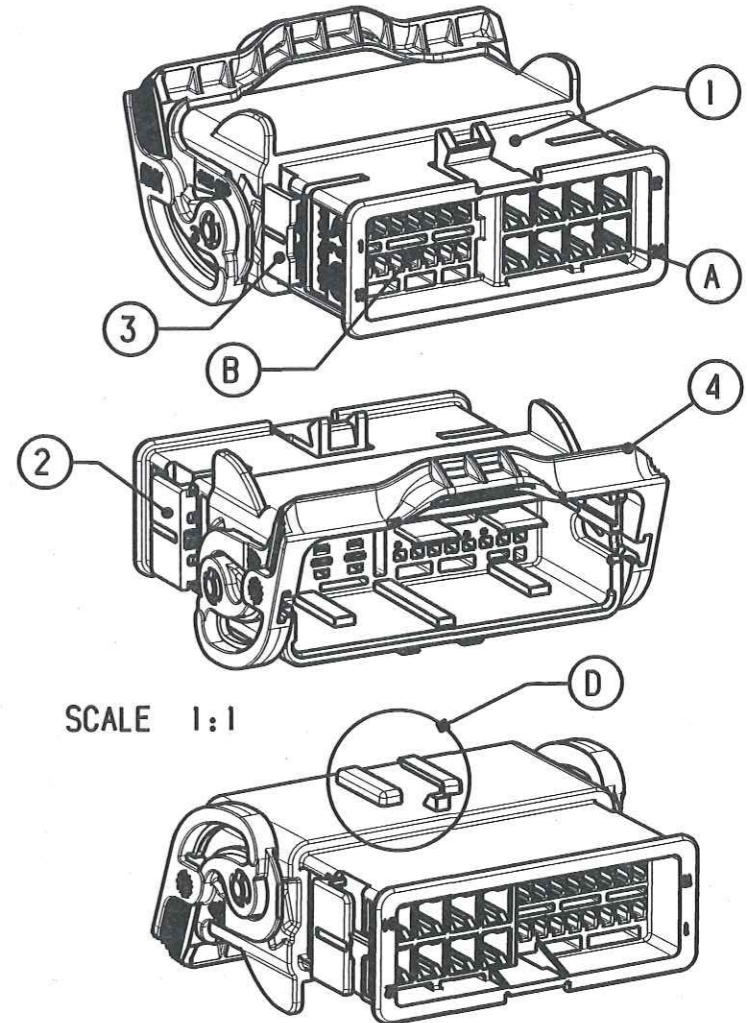
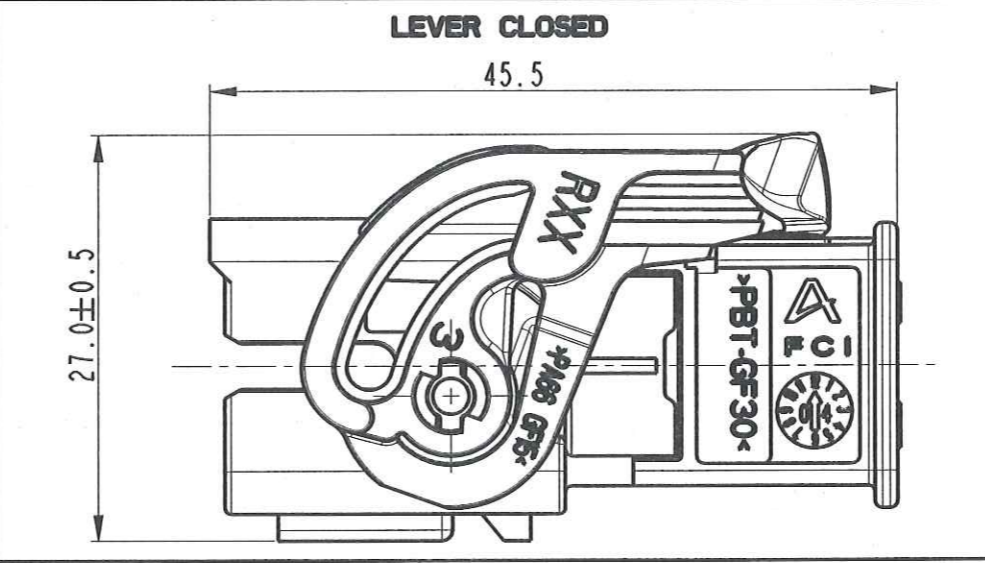
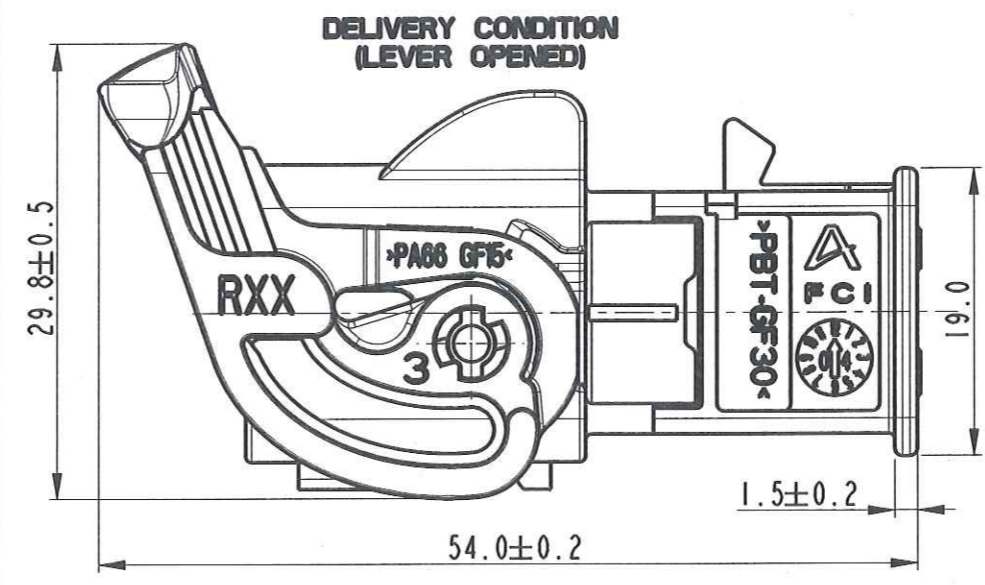
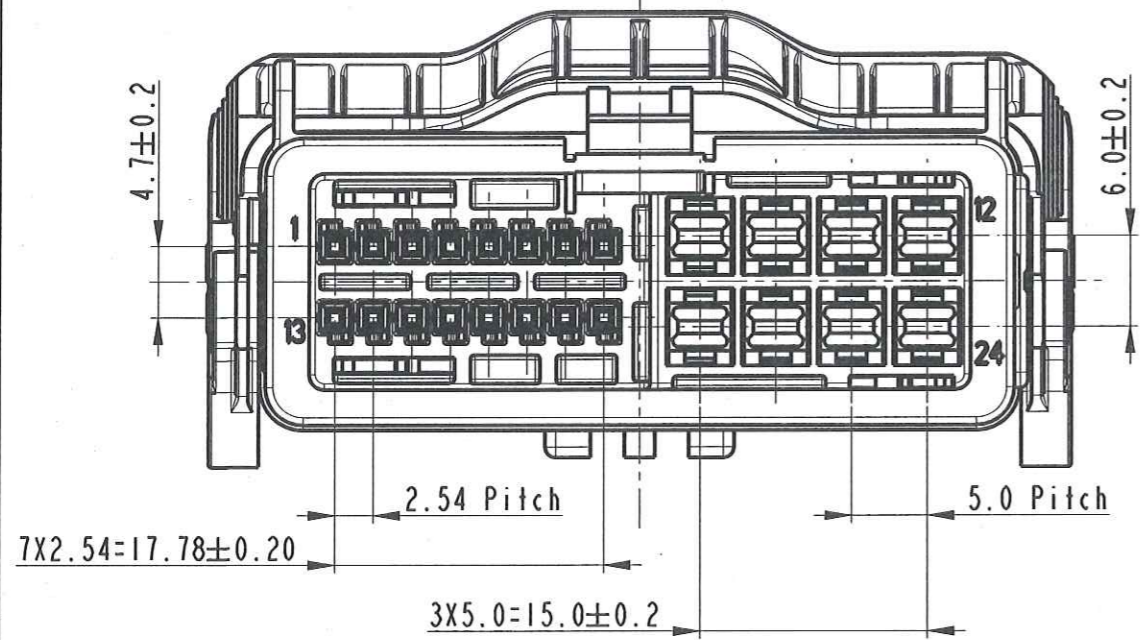
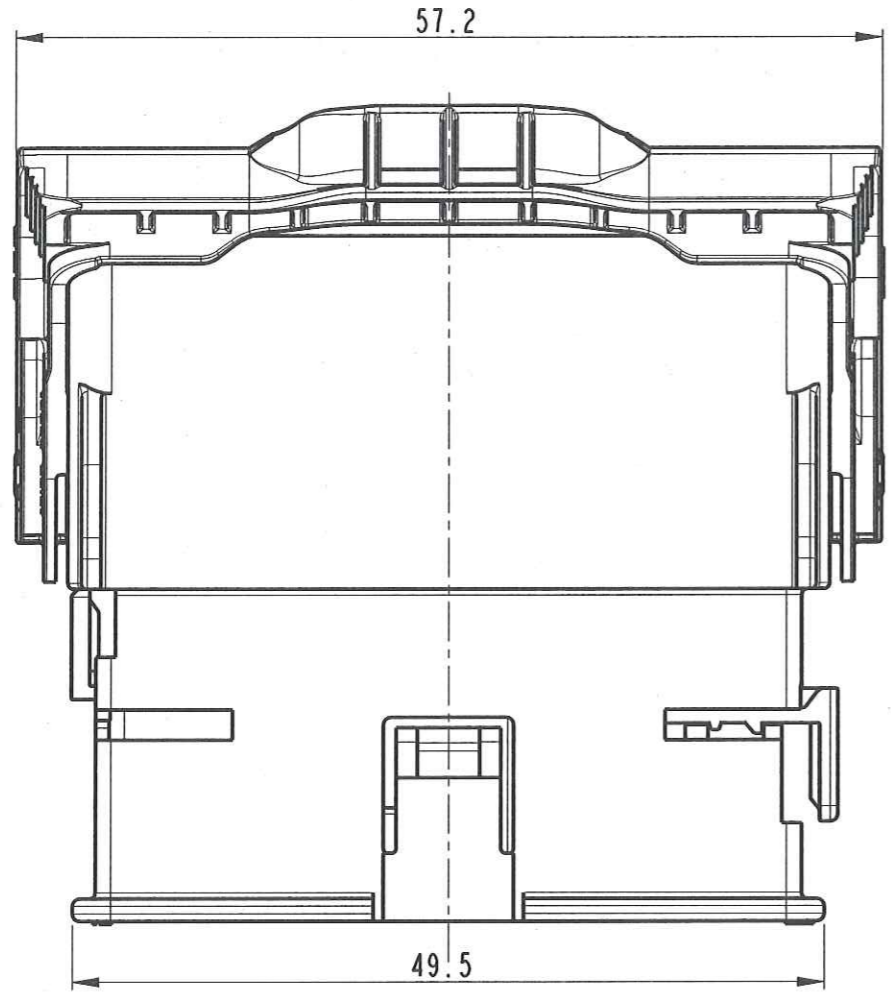


STRICTLY CONFIDENTIAL



NOTE:

- A) Cavity suitable to mount the DCS2 2.8 mm male terminals P/N 6 011 06 X1
- B) Cavity suitable to mount the 0.64 mm male terminals.
- C) The dimensions of 24 way female connector are showed in the customer drawing FSC 309757
- D) Zone suitable to accept the fixing clip



ITEM	QUANTITY	COMPONENTS DESCRIPTION	MATERIAL	COLOUR
1	1	24 WAY Male Housing	PBT GF30%	BLACK or GREY
2	1	TPA of DCS2 2.8 mm terminals	PBT GF30%	YELLOW
3	1	TPA of Duo Twin 0.64x0.64 terminals	PBT GF30%	YELLOW
4	1	Lever	PA6.6 GF15%	RED

12-00021	16/02/12	A	Modified Housing and Lever	
57-06	05-09-06	04	Released for production	G.B. F.P. M.C.
ECN-NO. NUMERO -ECN	DATE DD/ MM / YY DATA	REVISION REVISIONE	POSITION POSIZIONE	CHANGE DESCRIPTION DESCRIZIONE MODIFICA
PRODUCT SPEC. SPEC. DI PRODOTTO	PACKAGING SPEC. SPEC. DI IMBALLAGGIO	APPLICATION SPEC. SPEC. DI APPLICAZIONE	THIS DRAWING AND ALL OTHER INFORMATION CONTAINED THEREIN IS PROPRIETARY AND THE PROPERTY OF FCI. This drawing may not be copied, reproduced or disclosed to any third party without the expressed written permission of FCI. © FCI April 1999	
IPS287	17212401 17212481	IPS289 IPS290	QUESTO DISEGNO ED OGNI ALTRA INFORMAZIONE IN ESSO CONTENUTA SONO ESCLUSIVI E DI PROPRIETA' DELLA FCI. Questo disegno non puo' essere copiato, riprodotto o divulgato a terzi senza l'espresso consenso scritto della FCI. © FCI April 1999	
TOLERANCES TOLLERANZE	± 0.3 mm. / ± 0.1"	MATERIAL : MATERIALE :	SURFACE FINISH FINITURA SUPERFICIALE	
COUNTERPART Nr. CONTROPARTE Nr.	17212400 17212480	See Table	-	
DO NOT SCALE DRAWING DISEGNO FUORI SCALA		TOOL NO. -	LOC. CODE NAZIONALITA' IT	
DRAWN BY DISEGNATORE	31/01/04 G. Stello	TITLE DESCRIZIONE	DRAWING NUMBER NUMERO DISEGNO	
CHECKED BY CONTROLLATO	31/01/04 T. Cirriello	24 WAY MALE CONNECTOR	FSC 309758	
APPROVED BY APPROVATO		ESR NO. NUMERO ESR	CAT. NO. NUMERO CAT.	FILE NAME NOME FILE
		EU03781	See Table	

F
E
D
C
B
A

**STRICTLY
CONFIDENTIAL**

MALE CONNECTOR PART NUMBER		COLOUR OF MALE HOUSING	FEMALE CONNECTOR PART NUMBER
1 721 24 01		BLACK	1 721 24 00
1 721 24 81		GREY	1 721 24 80

12-00021	16/02/12	A		Modified Housing and Lever				
57-06	05-09-06	04	-	Released for production			G.B. F.P. M.C.	
ECN-NO. NUMERO -ECN	DATE DATA	DD / MM / YY	REVISION REVISIONE	POSITION POSIZIONE	CHANGE DESCRIPTION DESCRIZIONE MODIFICA	DRAWN BY DISEGNATORE	CHK. BY CONTROLLATO	APPR. BY APPROVATO
PRODUCT SPEC. SPEC. DI PRODOTTO	PACKAGING SPEC. SPEC. DI IMBALLAGGIO	APPLICATION SPEC. SPEC. DI APPLICAZIONE	THIS DRAWING AND ALL OTHER INFORMATION CONTAINED THEREIN IS PROPRIETARY AND THE PROPERTY OF FCI. This drawing may not be copied, reproduced or disclosed to any third party without the expressed written permission of FCI.		QUESTO DISEGNO ED OGNI ALTRA INFORMAZIONE IN ESSO CONTENUTA SONO ESCLUSIVI E DI PROPRIETA' DELLA FCI. Questo disegno non puo' essere copiato, riprodotto o divulgato a terzi senza l'espresso consenso scritto della FCI.			
IPS287	17212401 17212481	IPS289 IPS290	© FCI April 1999		© FCI April 1999			
TOLERANCES TOLLERANZE	± 0.3 mm, 1 ± l'	MATERIAL : MATERIALE :	See Table		SURFACE FINISH FINITURA SUPERFICIALE		-	
COUNTERPART Nr. CONTROPARTE Nr.	17212400 17212480	COLOUR : COLORE :	See Table		-		-	
DO NOT SCALE DRAWING DISEGNO FUORI SCALA		TOOL NO.	-		LOC. CODE NAZIONALITA'		IT	
DRAWN BY DISEGNATORE	DATE DATA	NAME NOME	TITLE DESCRIZIONE		DRAWING NUMBER NUMERO DISEGNO		SHEET FOGLIO	
CHECKED BY CONTROLLATO	31/01/04	G. Stella	24 WAY MALE CONNECTOR		FSC 309758		2 of 1 di 2	
APPROVED BY APPROVATO			ESR NO. NUMERO ESR	EU03781	CAT. NO. NUMERO CAT.	See Table	SCALE SCALA	
					FILE NAME NOME FILE		1:1	

F
E
D
C
B
A

X-ON Electronics

Largest Supplier of Electrical and Electronic Components

Click to view similar products for [Automotive Connectors](#) category:

Click to view products by [APTIV](#) manufacturer:

Other Similar products are found below :

[003-018-000](#) [60403001](#) [60993906-B](#) [M902-2131](#) [M902-2161](#) [72.330.1035.1](#) [73.353.4028.0](#) [F119300-B](#) [F166900](#) [F258300-B](#) [F358300-B](#)
[F407400](#) [F444110](#) [F487000](#) [F509500B-B](#) [827153-1](#) [8N1515-32-24P](#) [9-1326729-8](#) [925474-1](#) [928905-1](#) [964562-4](#) [968782-1](#) [GT17SA-8DS-](#)
[HU](#) [98891-1012](#) [98947-1016](#) [12004475-L](#) [12010290](#) [12010309-B](#) [12015454](#) [12020219-B](#) [12020308](#) [12041318-B](#) [12052225-L](#) [12052466](#)
[12059125](#) [12064869](#) [12004327-B](#) [12010503-B](#) [12015308](#) [12015384](#) [12015909](#) [1-21030-1](#) [12041254](#) [12041318](#) [12047946-B](#) [12047957](#)
[12047957-L](#) [12059473](#) [12066261](#) [12110546](#)