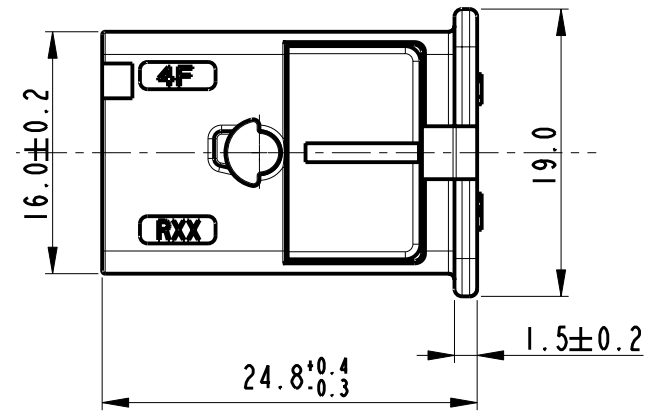
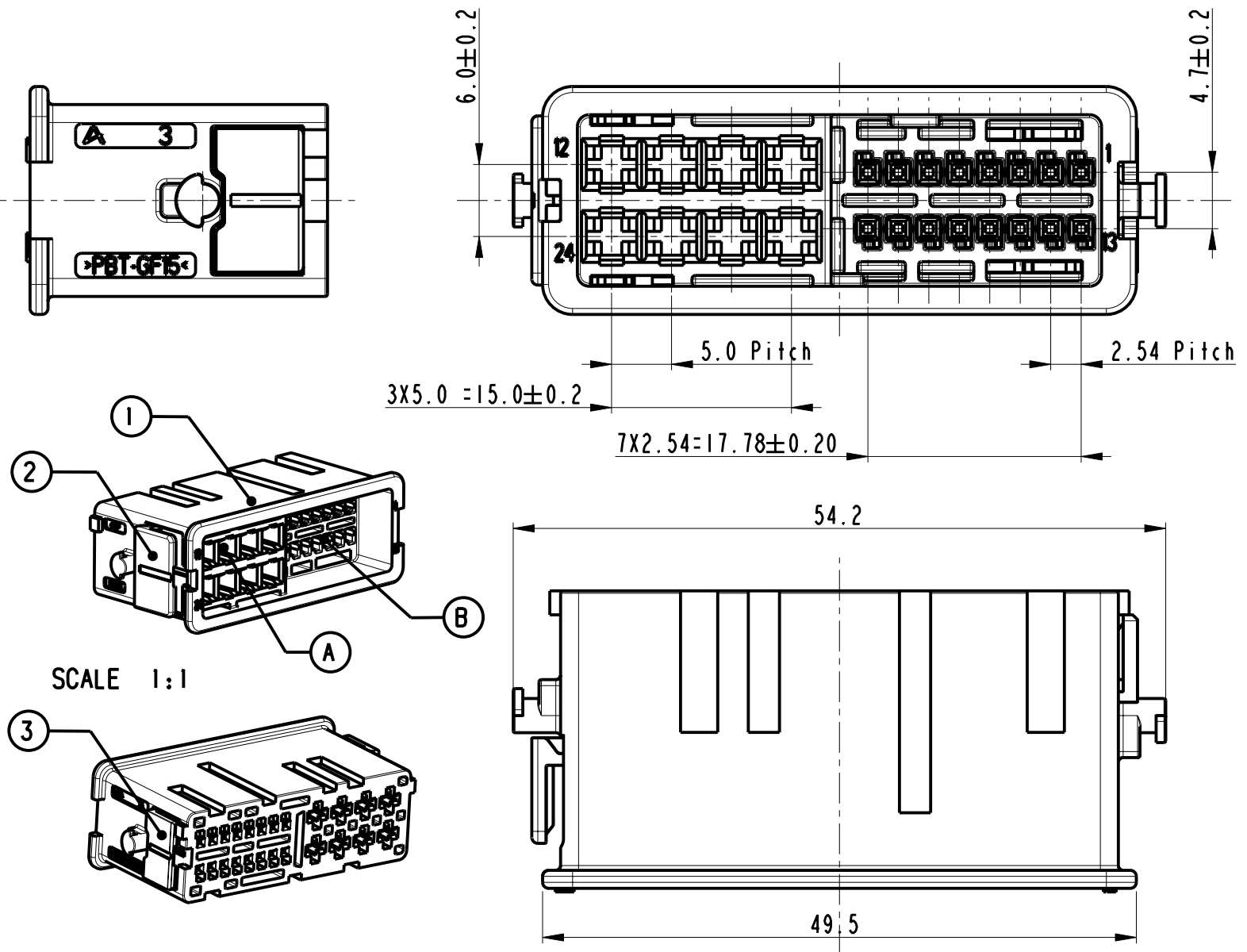


STRICTLY CONFIDENTIAL



ITEM	QUANTITY	COMPONENTS DESCRIPTION	MATERIAL	COLOUR
1	1	24 WAY Female Housing	PBT GF15%	BLACK or GREY
2	1	TPA of DCS2 2.8 mm terminals	PBT GF30%	YELLOW
3	1	TPA of Duo Twin 0.64x0.64 terminals	PBT GF30%	YELLOW

NOTE:
 A) Cavity suitable to mount the DCS2 2.8 mm female terminals
 P/N 6 001 28 XI
 B) Cavity suitable to mount the 0.64 mm Duo Twin female terminals
 P/N 6 008 01 XI
 C) The dimensions of 24 way male connector are showed
 in the customer drawing FSC 309758

PART NUMBER	FEMALE CONNECTOR		HOUSING COLOUR	MALE CONNECTOR	
				PART NUMBER	
1 721 24 00	13.25 ^{+0.20} ₀	18.75 ^{+0.20} ₀	BLACK	1 721 24 01	MVL
13725605	10.15 ⁰ _{-0.20}	15.65 ⁰ _{-0.20}		13725623	DELPHI
1 721 24 80	18.75 ^{+0.20} ₀	13.25 ^{+0.20} ₀	GREY	1 721 24 81	MVL
13764398	15.65 ⁰ _{-0.20}	10.15 ⁰ _{-0.20}		13764407	DELPHI

14-07742	03-11-14	A	DELPHI P/N ADDED			S.N F.G M.C
57-06	05-09-06	03	Released for production			
ECN-NO. NUMERO.-ECN	DATE DD/ MM / YY DATA	REVISION REVISIONE	POSITION POSIZIONE	CHANGE DESCRIPTION DESCRIZIONE MODIFICA		DRAWN BY DISEGNATORE
PRODUCT SPEC. SPEC. DI PRODOTTO	PACKAGING SPEC. SPEC. DI IMBALLAGGIO	APPLICATION SPEC. SPEC. DI APPLICAZIONE	COPYRIGHT DELPHI CORPORATION AND/OR ITS AFFILIATES. ALL RIGHTS RESERVED. REVISED THIS DRAWING IS THE PROPERTY OF DELPHI CORPORATION. THE REPRODUCTION, CONFIDENZIALI. LA RIPRODUZIONE, DISTRIBUZIONE E UTILIZZAZIONE DI QUESTO DISTRIBUTION AND UTILIZATION OF THIS DOCUMENT OR ITS RELATED CAD MATH DOCUMENTO O DELLE SUE RELATIVE MATEMATICHE CAD, NONCHE LA COMUNICAZIONE DI DATA, AS WELL AS COMMUNICATION OF ANY CONTENT TO OTHERS, WITHOUT EXPRESS AUTHORIZATION IS PROHIBITED.			
TOLERANCES TOLLERANZE	± 0.3 mm / ± P	MATERIAL : MATERIALE :	SURFACE FINISH FINITURA SUPERFICIALE		DELPHI DELPHI PACKARD ELECTRICAL/ELECTRONIC ARCHITECTURE TORINO, ITALY	
COUNTERPART Nr. CONTROPARTE Nr.	See Table	COLOUR : COLORE :	See Table		C ISO PROJECTION PROIEZIONE ISO	
DO NOT SCALE DRAWING DISEGNO FUORI SCALA	DATE DATA	NAME NOME	TITLE DESCRIZIONE	LOC. CODE NAZIONALITA'	CAD SYSTEM pro / eng.	
DRAWN BY DISEGNATORE	31/01/04	G.Stello	24 WAY FEMALE CONNECTOR		DWG SIZE FORMATO A3	
CHECKED BY CONTROLLATO	31/01/04	T.Ciriello	FSC 309757		SHEET FOGLIO 1 di 1	
APPROVED BY APPROVATO			ESR NO. NUMERO ESR	CAT. NO. NUMERO CAT.	SCALE SCALA 2:1	

X-ON Electronics

Largest Supplier of Electrical and Electronic Components

Click to view similar products for [Automotive Connectors](#) category:

Click to view products by [APTIV](#) manufacturer:

Other Similar products are found below :

[003-018-000](#) [60403001](#) [60993906-B](#) [629515004020001](#) [M902-2131](#) [M902-2161](#) [72.330.1035.1](#) [73.353.4028.0](#) [F119300-B](#) [F166900](#)
[F258300-B](#) [F358300-B](#) [F407400](#) [F444110](#) [F487000](#) [F509500B-B](#) [827153-1](#) [8N1515-32-24P](#) [9-1326729-8](#) [925474-1](#) [928905-1](#) [964562-4](#)
[968782-1](#) [GT17SA-8DS-HU](#) [98891-1012](#) [98947-1016](#) [12004475-L](#) [12010290](#) [12010309-B](#) [12015454](#) [12020219-B](#) [12020308](#) [12041318-B](#)
[12052225-L](#) [12052466](#) [12059125](#) [12064869](#) [12004327-B](#) [12010503-B](#) [12015308](#) [12015384](#) [12015909](#) [1-21030-1](#) [12041254](#) [12041318](#)
[12047946-B](#) [12047957](#) [12047957-L](#) [12059473](#) [12066261](#)