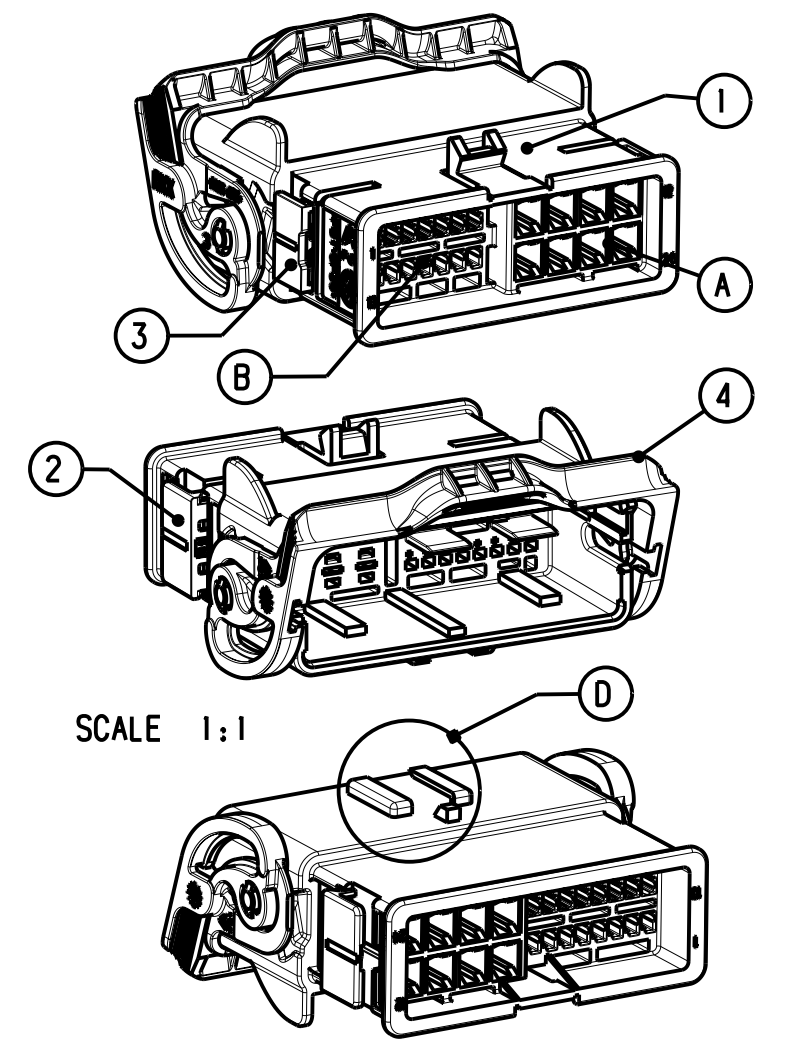
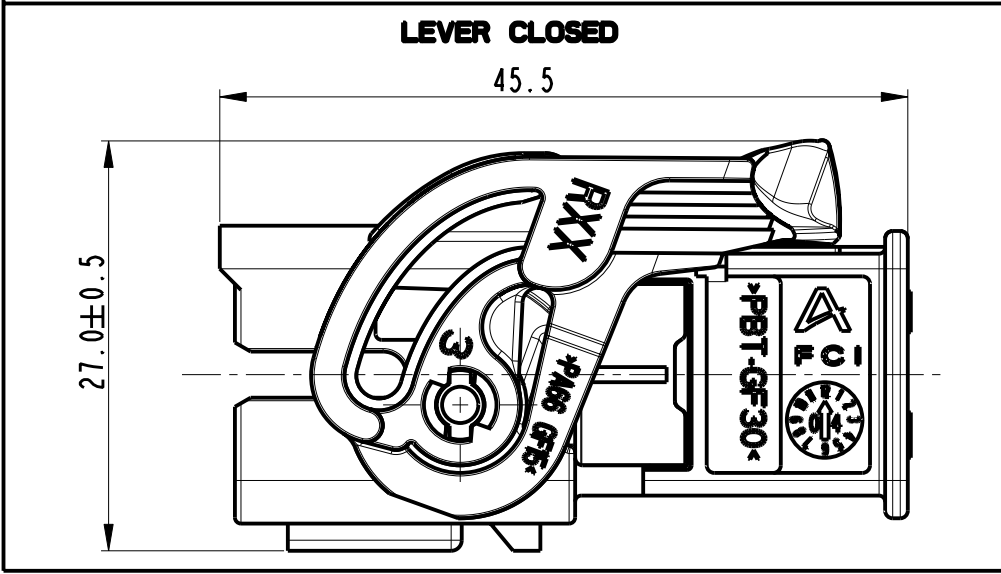
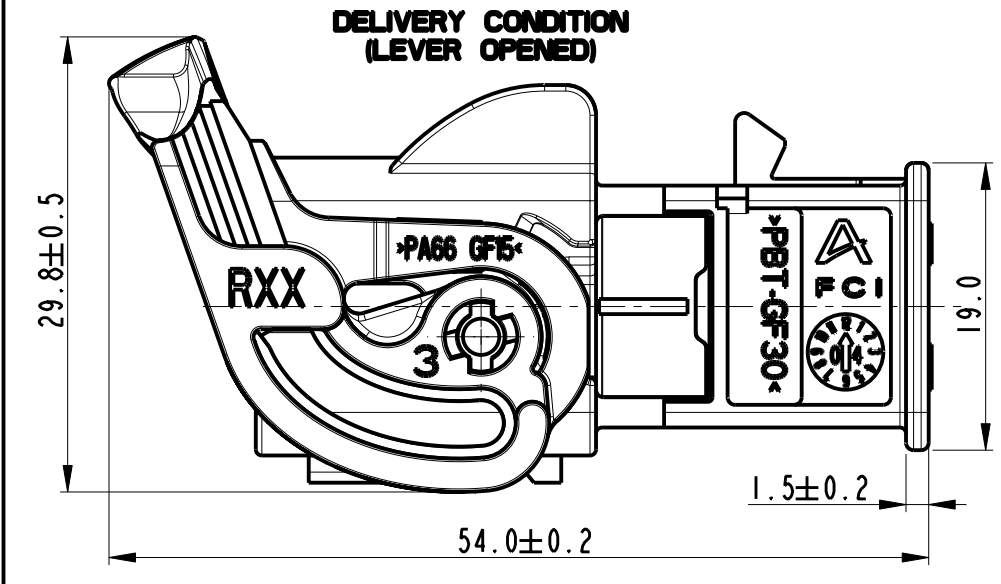
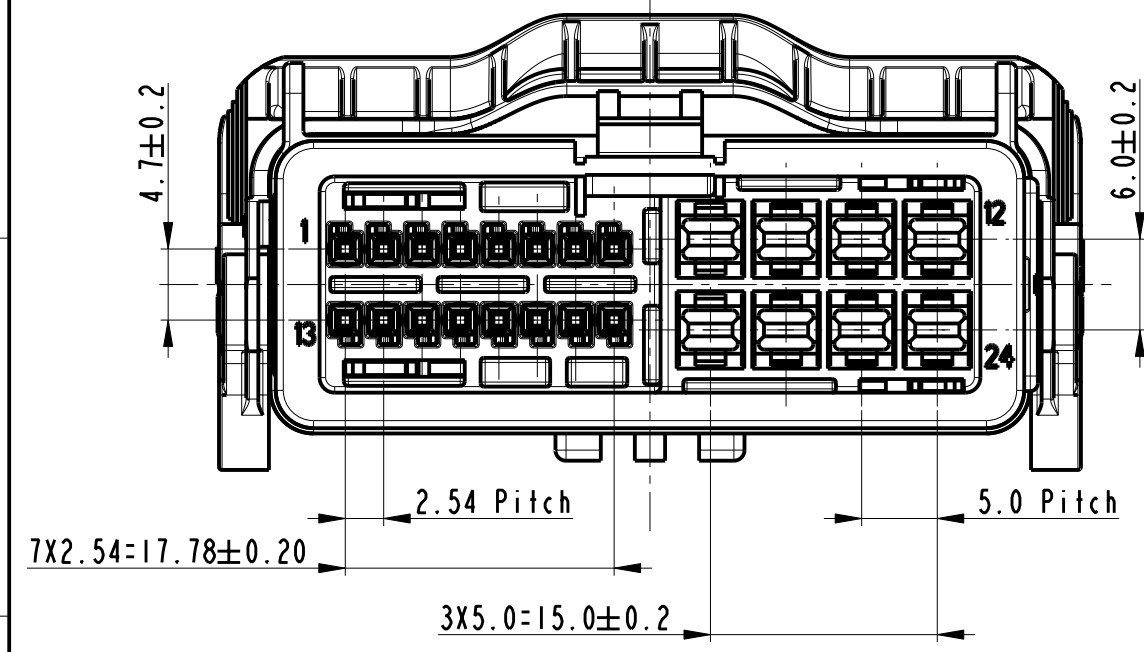
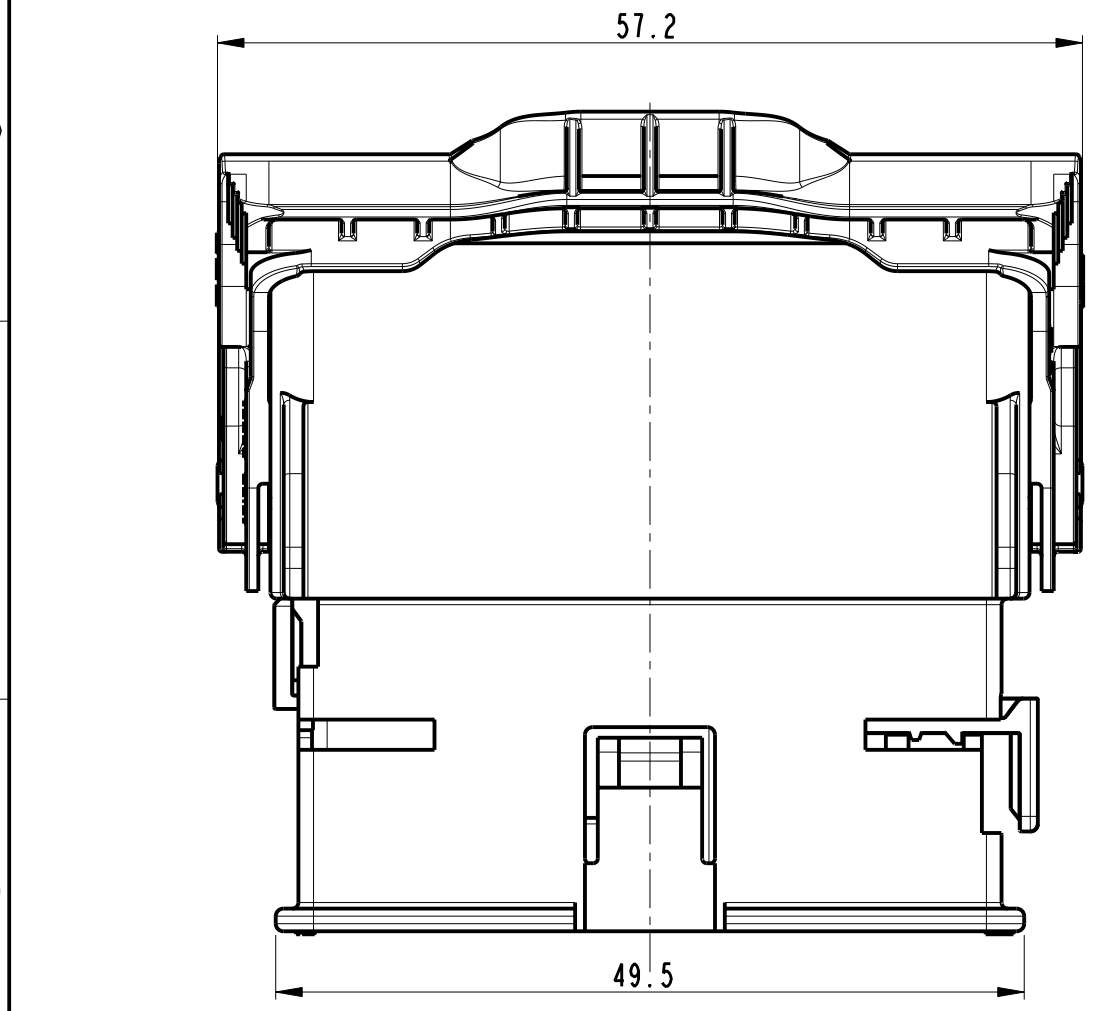


STRICTLY CONFIDENTIAL



SCALE 1:1



NOTE:

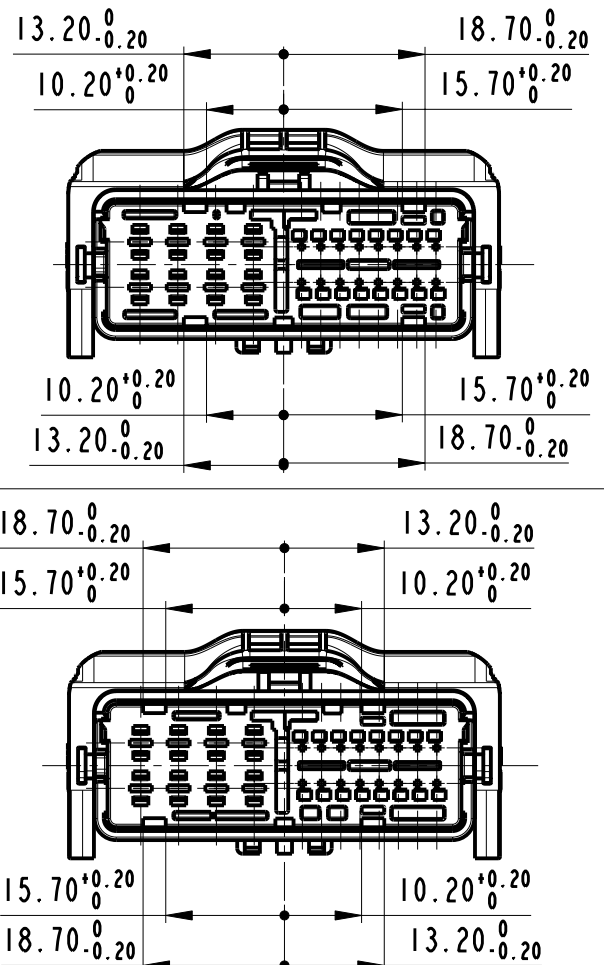
- A) Cavity suitable to mount the DCS2 2.8 mm male terminals P/N 6 011 06 XI
- B) Cavity suitable to mount the 0.64 mm male terminals.
- C) The dimensions of 24 way female connector are showed in the customer drawing FSC 309757
- D) Zone suitable to accept the fixing clip

ITEM	QUANTITY	COMPONENTS DESCRIPTION	MATERIAL	COLOUR
1	1	24 WAY Male Housing	PBT GF30%	BLACK or GREY
2	1	TPA of DCS2 2.8 mm terminals	PBT GF30%	YELLOW
3	1	TPA of Duo Twin 0.64x0.64 terminals	PBT GF30%	YELLOW
4	1	Lever	PA6.6 GF15%	RED

14-07742	07/11/14	B		DELPHI P/N ADDED	S.N	F.G	M.C
12-00021	16/02/12	A		Modified Housing and Lever			
57-06	05-09-06	04	-	Released for production	G.B.	F.P.	M.C.
ECN-NO. NUMERO -ECN	DATE DD/ MM / YY DATA	REVISION REVISIONE	POSITION POSIZIONE	CHANGE DESCRIPTION DESCRIZIONE MODIFICA	DRAWN BY DISEGNATORE	CHK. BY CONTROLLATO	APPR. BY APPROVATO
PRODUCT SPEC. SPEC. DI PRODOTTO	PACKAGING SPEC. SPEC. DI IMBALLAGGIO	APPLICATION SPEC. SPEC. DI APPLICAZIONE	COPYRIGHT DELPHI CORPORATION AND/OR ITS AFFILIATES. ALL RIGHTS RESERVED. REVISED QUESTO DISEGNO E' PROPRIETA' DI DELPHI CORPORATION E CONTIENE INFORMAZIONI CONFIDENZIALI. LA RIPRODUZIONE, DISTRIBUZIONE E UTILIZZAZIONE DI QUESTO DOCUMENTO O DELLE SUE RELATIVE MATEMATICHE CAD, NONCHE LA COMUNICAZIONE DI QUALSIASI CONTENUTO AD ALTRI, SENZA ESPLICITA AUTORIZZAZIONE, E PROIBITA EXPRESS AUTHORIZATION IS PROHIBITED.				
TOLERANCES TOLLERANZE	± 0.3 mm / ± P	MATERIAL : MATERIALE :	See Table		SURFACE FINISH FINITURA SUPERFICIALE		
COUNTERPART Nr. CONTROPARTE Nr.	17212400 17212480	COLOUR : COLORE :	See Table		DELPHI DELPHI PACKARD ELECTRICAL/ELECTRONIC ARCHITECTURE TORINO, ITALY CAD SYSTEM pro / eng.		
DO NOT SCALE DRAWING DISEGNO FUORI SCALA		TOOL NO.		LOC. CODE NAZIONALITA'	DIMENSION IN MILLIMETERS DIMENSIONI IN MILLIMETRI DWG SIZE FORMATO A3		
DRAWN BY DISEGNATORE	DATE DATA	NAME NOME	TITLE DESCRIZIONE	DRAWING NUMBER NUMERO DISEGNO FSC 309758			
CHECKED BY CONTROLLATO	31/01/04	G. Stello	24 WAY MALE CONNECTOR	SHEET FOGLIO 1 of 1 di 2			
APPROVED BY APPROVATO	31/01/04	F. Ciriello		ESR NO. NUMERO ESR EU03781	CAT. NO. NUMERO CAT. See Table	FILE NAME NOME FILE -	SCALE SCALA 2:1

STRICTLY
CONFIDENTIAL

MALE CONNECTOR		FEMALE CONNECTOR	
PART NUMBER	HOUSING COLOUR	PART NUMBER	MVL
1 721 24 01	BLACK	1 721 24 00	MVL
13725623	BLACK	13725605	DELPHI
1 721 24 81	GREY	1 721 24 80	MVL
13764407	GREY	13764398	DELPHI



14-07742	07/11/14	B	DELPHI P/N ADDED	S.N	F.G	M.C	
12-00021	16/02/12	A	Modified Housing and Lever				
57-06	05-09-06	04	Released for production	G.B.	F.P.	M.C.	
ECN-NO. NUMERO -ECN	DATE DD / MM / YY DATA	REVISION REVISIONE	POSITION POSIZIONE	CHANGE DESCRIPTION DESCRIZIONE MODIFICA		DRAWN BY DISEGNATORE	
CHK. BY CONTROLLATO	APPR. BY APPROVATO	PRODUCT SPEC. SPEC. DI PRODOTTO PACKAGING SPEC. SPEC. DI IMBALLAGGIO APPLICATION SPEC. SPEC. DI APPLICAZIONE COPYRIGHT DELPHI CORPORATION AND/OR ITS AFFILIATES. ALL RIGHTS RESERVED. REVISED THIS DRAWING IS THE PROPERTY OF DELPHI CORPORATION. THE REPRODUCTION, DISTRIBUTION AND UTILIZATION OF THIS DOCUMENT OR ITS RELATED CAD MATH DOCUMENTS, AS WELL AS COMMUNICATION OF ANY CONTENT TO OTHERS, WITHOUT EXPRESS AUTHORIZATION IS PROHIBITED.					
TOLERANCES TOLLERANZE	± 0.3 mm / ± P	MATERIAL : MATERIALE :	SURFACE FINISH FINITURA SUPERFICIALE		DELPHI DELPHI PACKARD ELECTRICAL/ELECTRONIC ARCHITECTURE TORINO, ITALY		
COUNTERPART Nr. CONTROPARTE Nr.	17212400 17212480	See Table	-		CAD SYSTEM pro / eng.		
DO NOT SCALE DRAWING DISEGNO FUORI SCALA	DATE DATA	NAME NOME	TITLE DESCRIZIONE	LOC. CODE NAZIONALITA'	DIMENSION IN MILLIMETERS DIMENSIONI IN MILLIMETRI		
DRAWN BY DISEGNATORE	31/01/04	G. Stello	24 WAY MALE CONNECTOR	IT	DRAWING NUMBER NUMERO DISEGNO		
CHECKED BY CONTROLLATO	31/01/04	T. Ciriello			FSC 309758		SHEET FOGLIO
APPROVED BY APPROVATO					FILE NAME NOME FILE		SCALE SCALA
			ESR NO. NUMERO ESR	CAT. NO. NUMERO CAT.	CAT. NO. NUMERO CAT.		
			EU03781	See Table	SCALE SCALA		

X-ON Electronics

Largest Supplier of Electrical and Electronic Components

Click to view similar products for [Automotive Connectors](#) category:

Click to view products by [APTIV](#) manufacturer:

Other Similar products are found below :

[003-018-000](#) [60403001](#) [60993906-B](#) [629515004020001](#) [M902-2131](#) [M902-2161](#) [72.330.1035.1](#) [73.353.4028.0](#) [F119300-B](#) [F166900](#)
[F258300-B](#) [F358300-B](#) [F407400](#) [F444110](#) [F487000](#) [F509500B-B](#) [827153-1](#) [8N1515-32-24P](#) [9-1326729-8](#) [925474-1](#) [928905-1](#) [964562-4](#)
[968782-1](#) [GT17SA-8DS-HU](#) [98891-1012](#) [98947-1016](#) [12004475-L](#) [12010290](#) [12010309-B](#) [12015454](#) [12020219-B](#) [12020308](#) [12041318-B](#)
[12052225-L](#) [12052466](#) [12059125](#) [12064869](#) [12004327-B](#) [12010503-B](#) [12015308](#) [12015384](#) [12015909](#) [1-21030-1](#) [12041254](#) [12041318](#)
[12047946-B](#) [12047957](#) [12047957-L](#) [12059473](#) [12066261](#)