

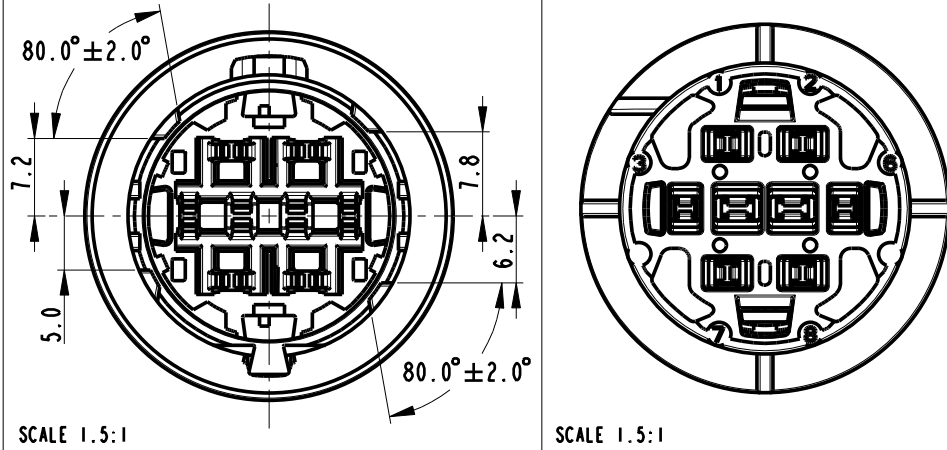
STRICTLY CONFIDENTIAL

ASSEMBLY MALE

HOUSING material PBT
O-RING material SILICON RUBBER

BLACK COLOUR (colore nero)

MECHANICAL POLARIZATION (polarizzazione meccanica)



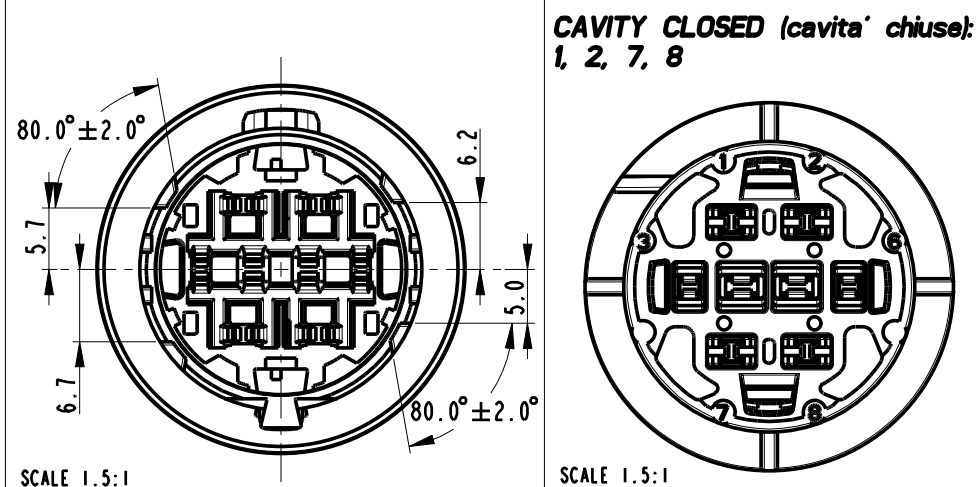
P/N 17260801

ASSEMBLY MALE

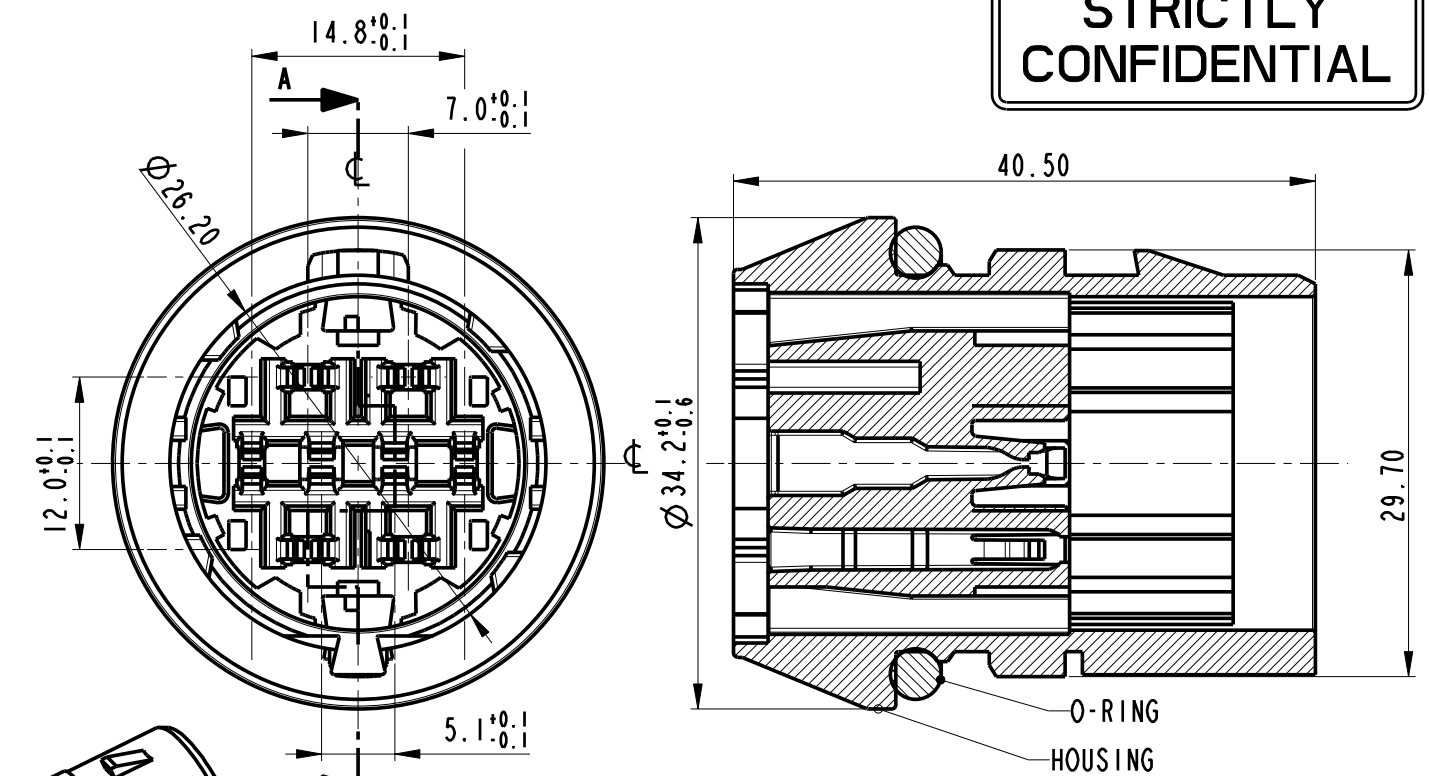
HOUSING material PBT
O-RING material SILICON RUBBER

GREEN COLOUR (colore verde)

MECHANICAL POLARIZATION (polarizzazione meccanica)

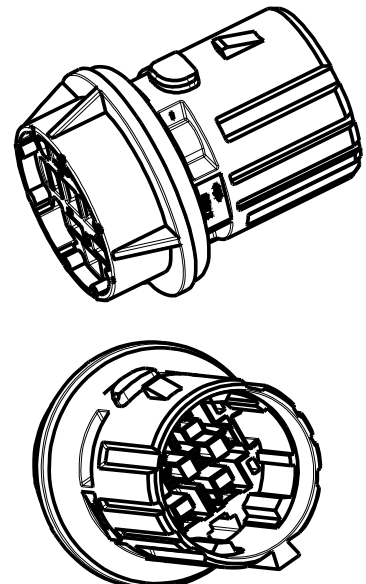


P/N 17260851



NOTE: The secondary lock is supplied separately (il secondary lock viene fornito separatamente)

CAVITY SUITABLE FOR TERMINAL	WIRE SIZE (mm ²)	P/N FCI	P/N FIAT AUTO
SICMA2 MALE 2.8x0.8 (T3)	0.35 - 0.75	1 706 21 00	1/05041/54
SICMA2 MALE 2.8x0.8 (T3)	1.0 - 2.5	1 706 21 10	1/01550/54
SICMA3 MALE 1.5x0.8 (T3)	0.35 - 0.75	211CL2S1160	1/03269/54
SICMA3 MALE 1.5x0.8 (T3)	1.0 - 1.5	211CL2S2160	1/03277/54

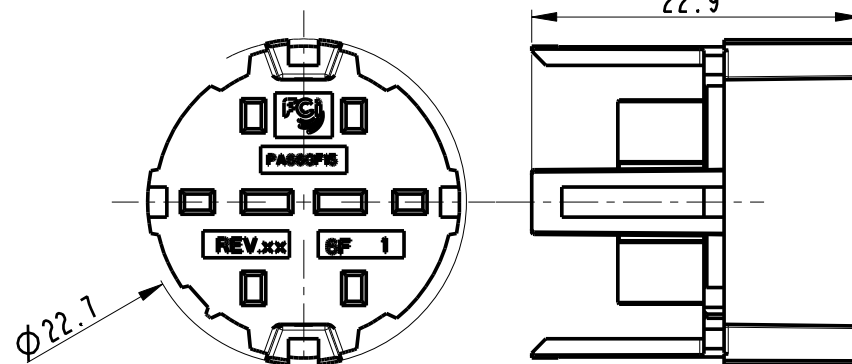


ECN-NO. / NUMERO -ECN	DATE / DATA	REVISION / REVISIONE	POSITION / POSIZIONE	CHANGE DESCRIPTION / DESCRIZIONE MODIFICA	DRAWN BY / CHK. BY / DISEGNATORE / CONTROLLATO	APPR. BY / APPROVATO
04-10	16/03/2010	04	C2	Replaced 2.8x0.8 terminal PN	GB	MC
01-09	02/02/2009	03-R		RELEASED FOR PRODUCTION Mould revision net necessary	GB	MC
04/07	18/01/07	03		UPDATED TOLLERANCES	DT	MC
92/06	12/12/06	02		UPDATED MODEL DRAWING AND NOTES	D.T.	M.C.
-	23-06-06	01		UPDATED MODEL DRAWING AND NOTES	D.T.	M.C.

PRODUCT SPEC. / SPEC. DI PRODOTTO	PACKAGING SPEC. / SPEC. DI IMBALLAGGIO	APPLICATION SPEC. / SPEC. DI APPLICAZIONE	THIS DRAWING AND ALL OTHER INFORMATION CONTAINED THEREIN IS PROPRIETARY AND THE PROPERTY OF FCI. This drawing may not be copied, reproduced or disclosed to any third party without the expressed written permission of FCI. © FCI April 1999	QUESTO DISEGNO ED OGNI ALTRA INFORMAZIONE IN ESSO CONTENUTA SONO ESCLUSIVI E DI PROPRIETA' DELLA FCI. Questo disegno non puo' essere copiato, riprodotto o divulgato a terzi senza l'espresso consenso scritto della FCI. © FCI April 1999
IPS 310	-	IPS 311		
TOLERANCES / TOLLERANZE	± 0.3 mm. / ± 1°	MATERIAL / MATERIALE	SEE TABLE	SURFACE FINISH / FINITURA SUPERFICIALE
COUNTERPART Nr. / CONTROPARTE Nr.	1 726 08 X5	COLOUR / COLORE	SEE TABLE	
DO NOT SCALE DRAWING / DISEGNO FUORI SCALA		TOOL NO.		LOC. CODE / NAZIONALITA' IT
DRAWN BY / DISEGNATORE	12-04-06 G. Stella	TITLE / DESCRIZIONE	ASSEMBLY MALE 8 WAY CONNECTOR	
CHECKED BY / CONTROLLATO		DRAWING NUMBER / NUMERO DISEGNO	FSC 309915	
APPROVED BY / APPROVATO	12/04/06 M. Colombo	ESR NO. / NUMERO ESR	EU 060274	CAT. NO. / NUMERO CAT. SEE TABLE
		FILE NAME / NOME FILE	fsc309915	

SECONDARY LOCK MALE

COLOUR (colore) VIOLET COLOUR (colore viola)
P/N 17260874



ISO PROJECTION / PROIEZIONE ISO
 DIMENSION IN MILLIMETERS / DIMENSIONI IN MILLIMETRI
 pro / eng.
 DWG SIZE / FORMATO
 A3
 SHEET / FOGLIO
 1 of 1 di 1



SCALE / SCALA
 2:1

X-ON Electronics

Largest Supplier of Electrical and Electronic Components

Click to view similar products for [Automotive Connectors](#) category:

Click to view products by [APTIV](#) manufacturer:

Other Similar products are found below :

[003-018-000](#) [60403001](#) [60993906-B](#) [629515004020001](#) [M902-2131](#) [M902-2161](#) [72.330.1035.1](#) [73.353.4028.0](#) [F119300-B](#) [F166900](#)
[F258300-B](#) [F358300-B](#) [F407400](#) [F444110](#) [F487000](#) [F509500B-B](#) [827153-1](#) [8N1515-32-24P](#) [9-1326729-8](#) [925474-1](#) [928905-1](#) [964562-4](#)
[968782-1](#) [GT17SA-8DS-HU](#) [98891-1012](#) [98947-1016](#) [12004475-L](#) [12010290](#) [12010309-B](#) [12015454](#) [12020219-B](#) [12020308](#) [12041318-B](#)
[12052225-L](#) [12052466](#) [12059125](#) [12064869](#) [12004327-B](#) [12010503-B](#) [12015308](#) [12015384](#) [12015909](#) [1-21030-1](#) [12041254](#) [12041318](#)
[12047946-B](#) [12047957](#) [12047957-L](#) [12059473](#) [12066261](#)