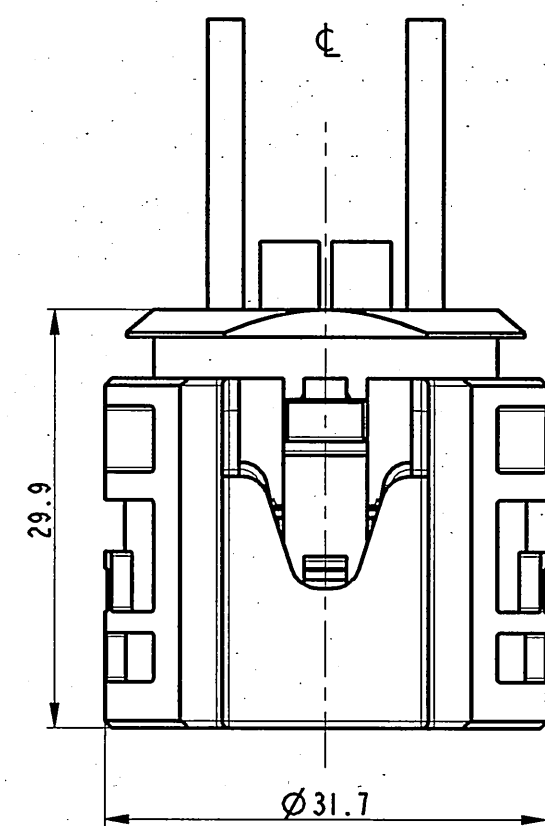
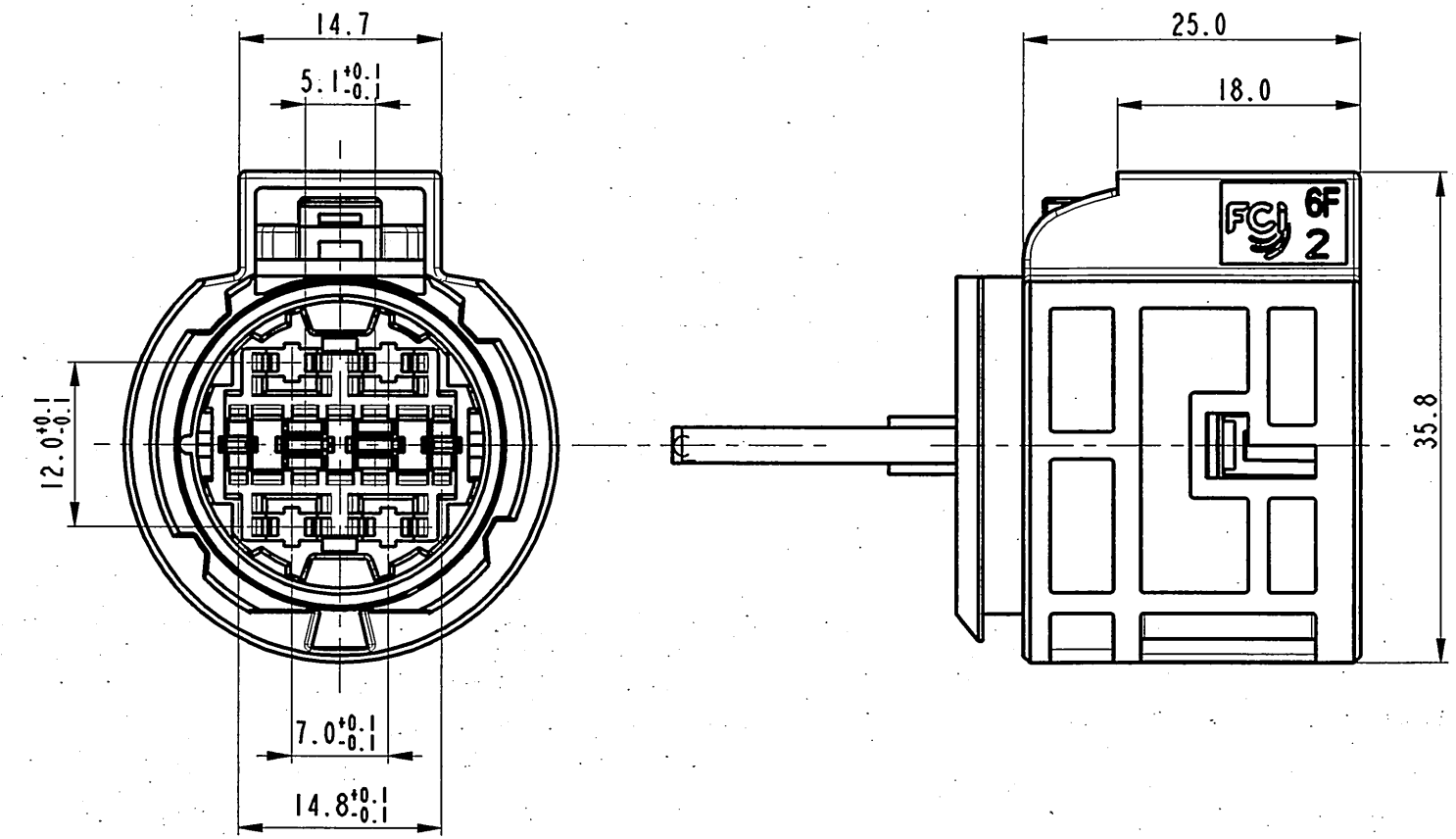


STRICTLY CONFIDENTIAL

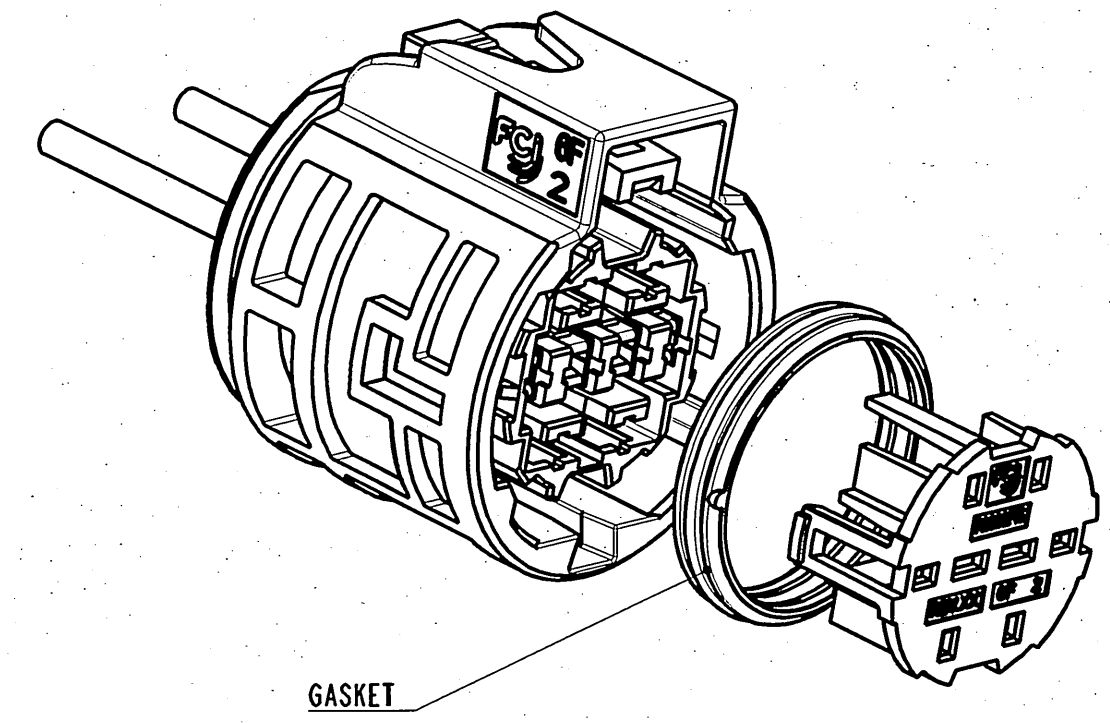
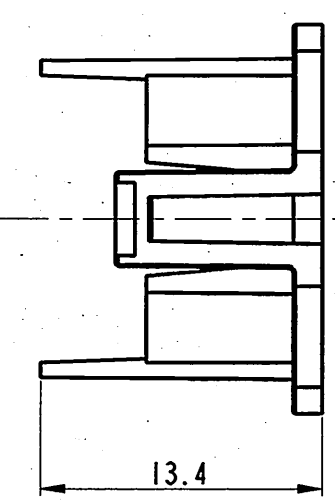
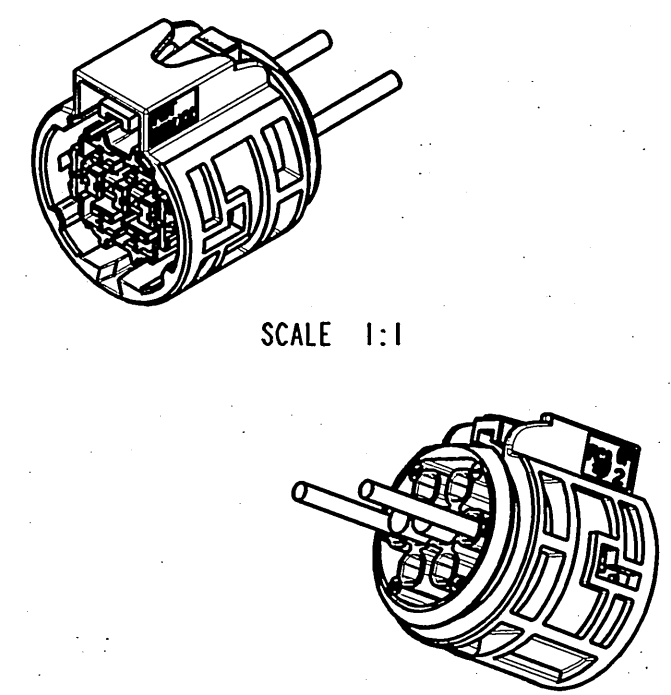
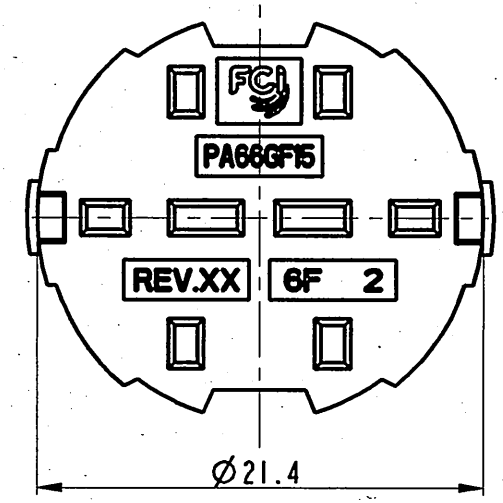
ASSEMBLY FEMALE	
HOUSING	material PBT
GASKET	material LSR - colour RED
BLACK COLOUR (colore nero)	
8 way	
MECHANICAL POLARIZATION (polarizzazione meccanica)	
SCALE 1:1	
P/N	17260805

ASSEMBLY FEMALE	
HOUSING	material PBT
GASKET	material LSR - colour RED
BROWN COLOUR (colore marrone)	
5 way	
MECHANICAL POLARIZATION (polarizzazione meccanica)	
SCALE 1:1	
P/N	17260815

ASSEMBLY FEMALE	
HOUSING	material PBT
GASKET	material LSR - colour RED
GREEN COLOUR (colore verde)	
4 way	
MECHANICAL POLARIZATION (polarizzazione meccanica)	
SCALE 1:1	
P/N	17260855



SECONDARY LOCK FEMALE	
MATERIAL (materiale)	PA66-GF15%
COLOUR (colore)	VIOLET COLOUR (colore viola)
P/N	17260879

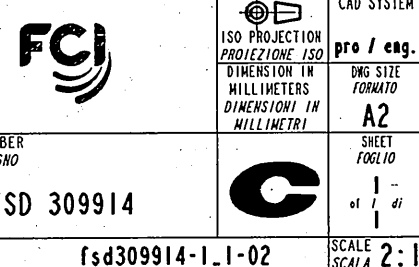


GASKET
SEC-LOCK

THE SEC-LOCK IS SUPPLIED SEPARATELY
IL SEC-LOCK VIENE FORNITO SEPARATAMENTE

CAVITY SUITABLE FOR TERMINAL	WIRE SIZE (mm ²)	P/N SWS COLOUR	P/N CAVITY PLUG COLOUR
SICMA3 FEMALE 1.5 (T3) P/N 211CC2S0161	0.35	211M0007 YELLOW	211M0012 WHITE
SICMA3 FEMALE 1.5 (T3) P/N 211CC2S1161	0.50 - 0.75		
SICMA3 FEMALE 1.5 (T3) P/N 211CC2S4161	1.0	211M0008 GREEN	211M0013 WHITE
SICMA3 FEMALE 1.5 (T3) P/N 211CC2S2161	1.5		
SICMA2 FEMALE 2.8 (T3) P/N 17062000	0.35 - 0.75	211M0009 RED	211M0010 BLUE
SICMA2 FEMALE 2.8 (T3) P/N 17062010	1.0 - 2.5		

01-09	02/02/2009	02-R	RELEASED FOR PRODUCTION Mould revision not necessary		
92/06	12/12/06	02	UPDATED MODEL DRAWING AND NOTES		FP MC
	23/06/06	01	UPDATED MODEL DRAWING AND NOTES		FP MC
ECH-NO. / NUMERO - ECH	DATE / DATA	DD / MM / YY	REVISION / MODIFICA	POSITION / POSIZIONE	CHANGE DESCRIPTION / DESCRIZIONE MODIFICA
PRODUCT SPEC. / SPEC. DI PRODOTTO	PACKAGING SPEC. / SPEC. DI IMBALLAGGIO	APPLICATION SPEC. / SPEC. DI APPLICAZIONE	THIS DRAWING AND ALL OTHER INFORMATION CONTAINED THEREIN IS PROPRIETARY AND THE PROPERTY OF FCI. THIS DRAWING MAY NOT BE COPIED, REPRODUCED OR DISCLOSED TO ANY THIRD PARTY WITHOUT THE EXPRESS WRITTEN PERMISSION OF FCI. © FCI April 1999		
IPS 310			IPS 311		
TOLERANCES / TOLLERANZE	±0.3mm / ±0.1"	MATERIAL / MATERIALE	SEE TABLE		
COUNTERPART N. / CONTROPARTE N.	1 726 08 X1	COLOUR / COLORE	SEE TABLE		
DO NOT SCALE DRAWING / NON SCALARE IL DISEGNO	DATE / DATA	NAME / NOME	LOC. CODE / NAZIONALITA'	IT	
DRAWN BY / DISEGNATORE	12/04/06	G.STELLA	TITLE / DESCRIZIONE		
CHECKED BY / VERIFICATO			ASSEMBLY FEMALE 8 WAY SEALED CONNECTOR		
APPROVED BY / APPROVATO	12/04/06	N.COLOMBO	ESR NO. / NUMERO ESR	EU-060274	FILE NAME / NOME FILE
				SEE TABLE	FSD 309914
					fsd309914-1.1-02



X-ON Electronics

Largest Supplier of Electrical and Electronic Components

Click to view similar products for [Automotive Connectors](#) category:

Click to view products by [APTIV](#) manufacturer:

Other Similar products are found below :

[003-018-000](#) [60403001](#) [60993906-B](#) [629515004020001](#) [M902-2131](#) [M902-2161](#) [72.330.1035.1](#) [73.353.4028.0](#) [F119300-B](#) [F166900](#)
[F258300-B](#) [F358300-B](#) [F407400](#) [F444110](#) [F487000](#) [F509500B-B](#) [827153-1](#) [8N1515-32-24P](#) [9-1326729-8](#) [925474-1](#) [928905-1](#) [964562-4](#)
[968782-1](#) [GT17SA-8DS-HU](#) [98891-1012](#) [98947-1016](#) [12004475-L](#) [12010290](#) [12010309-B](#) [12015454](#) [12020219-B](#) [12020308](#) [12041318-B](#)
[12052225-L](#) [12052466](#) [12059125](#) [12064869](#) [12004327-B](#) [12010503-B](#) [12015308](#) [12015384](#) [12015909](#) [1-21030-1](#) [12041254](#) [12041318](#)
[12047946-B](#) [12047957](#) [12047957-L](#) [12059473](#) [12066261](#)