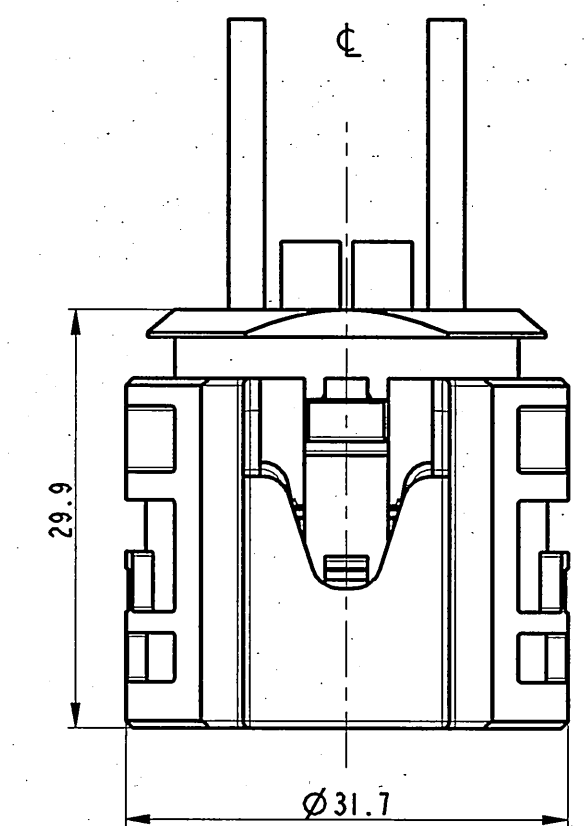
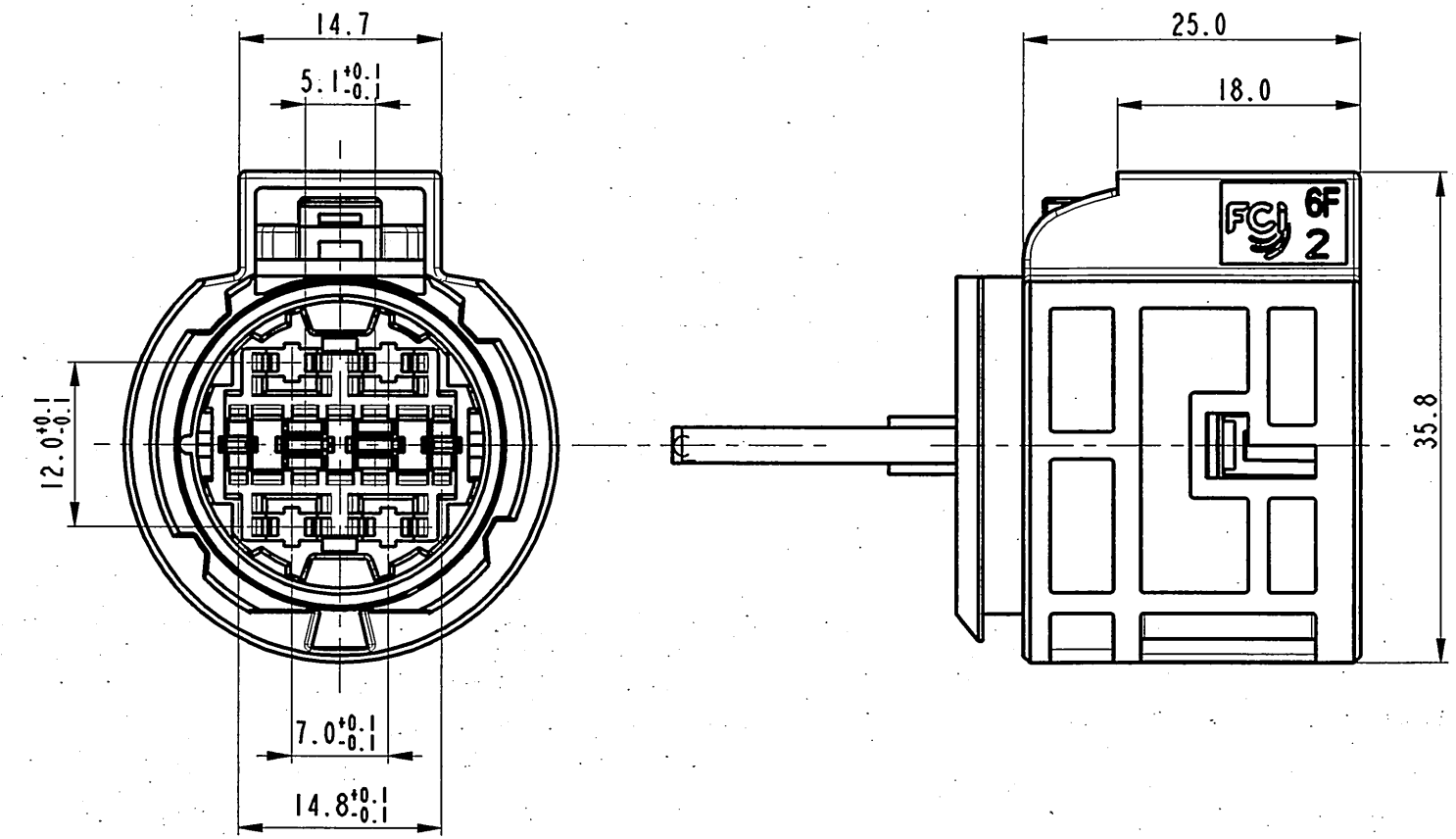


**STRICTLY CONFIDENTIAL**

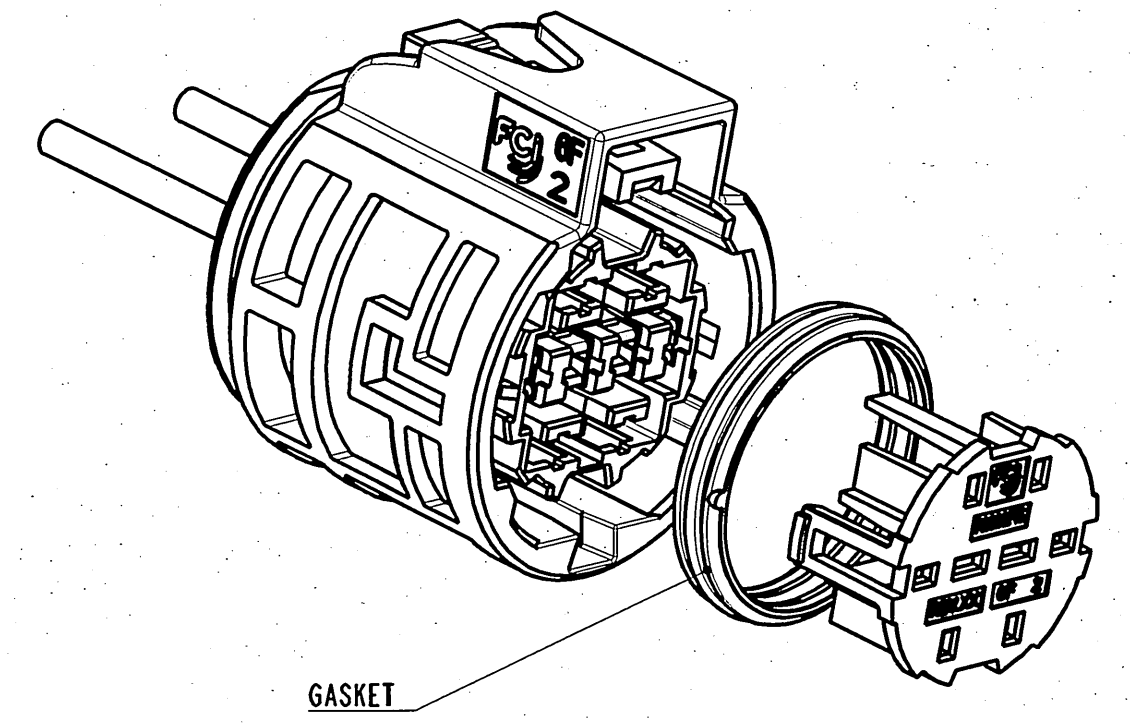
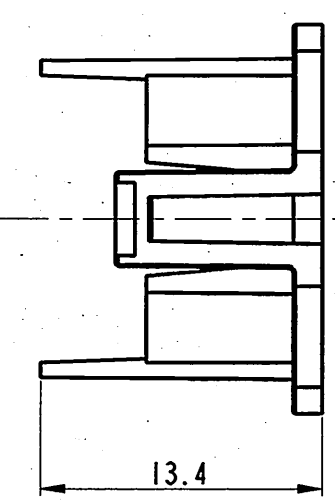
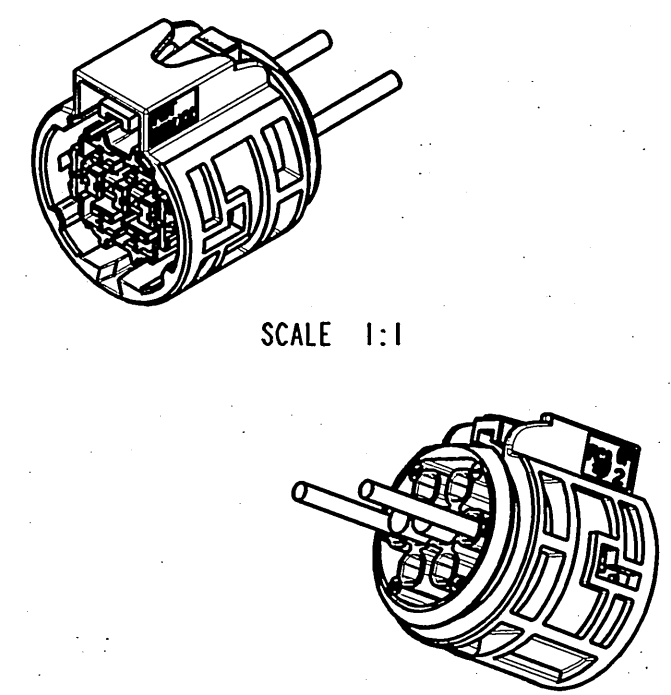
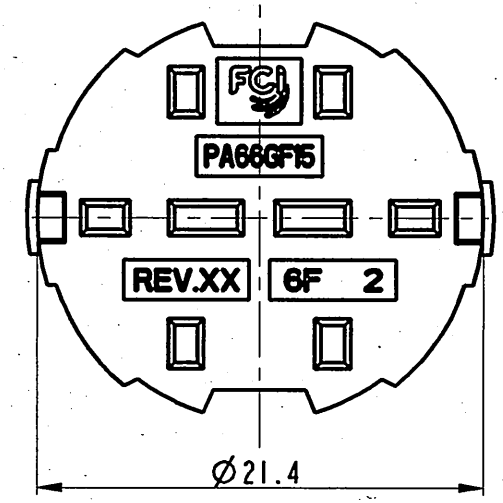
ASSEMBLY FEMALE	
HOUSING	material PBT
GASKET	material LSR - colour RED
<b>BLACK COLOUR (colore nero)</b>	
<b>8 way</b>	
MECHANICAL POLARIZATION (polarizzazione meccanica)	
	SCALE 1:1
P/N	17260805

ASSEMBLY FEMALE	
HOUSING	material PBT
GASKET	material LSR - colour RED
<b>BROWN COLOUR (colore marrone)</b>	
<b>5 way</b>	
MECHANICAL POLARIZATION (polarizzazione meccanica)	
	SCALE 1:1
P/N	17260815

ASSEMBLY FEMALE	
HOUSING	material PBT
GASKET	material LSR - colour RED
<b>GREEN COLOUR (colore verde)</b>	
<b>4 way</b>	
MECHANICAL POLARIZATION (polarizzazione meccanica)	
	SCALE 1:1
P/N	17260855



SECONDARY LOCK FEMALE	
MATERIAL (materiale)	PA66-GF15%
COLOUR (colore)	VIOLET COLOUR (colore viola)
P/N	17260879



GASKET  
SEC-LOCK

THE SEC-LOCK IS SUPPLIED SEPARATELY  
IL SEC-LOCK VIENE FORNITO SEPARATAMENTE

CAVITY SUITABLE FOR TERMINAL	WIRE SIZE (mm <sup>2</sup> )	P/N SWS COLOUR	P/N CAVITY PLUG COLOUR
SICMA3 FEMALE 1.5 (T3) P/N 211CC2S0161	0.35	211M0007 YELLOW	211M0012 WHITE
SICMA3 FEMALE 1.5 (T3) P/N 211CC2S1161	0.50 - 0.75		
SICMA3 FEMALE 1.5 (T3) P/N 211CC2S4161	1.0	211M0008 GREEN	211M0013 WHITE
SICMA3 FEMALE 1.5 (T3) P/N 211CC2S2161	1.5		
SICMA2 FEMALE 2.8 (T3) P/N 17062000	0.35 - 0.75	211M0009 RED	211M0010 BLUE
SICMA2 FEMALE 2.8 (T3) P/N 17062010	1.0 - 2.5		

01-09	02/02/2009	02-R	RELEASED FOR PRODUCTION Mould revision not necessary		
92/06	12/12/06	02	UPDATED MODEL DRAWING AND NOTES		FP MC
	23/06/06	01	UPDATED MODEL DRAWING AND NOTES		FP MC
ECH-NO. NUMERO - FCH	DATE DATA	DD / MM / YY	REVISION	POSITION	CHANGE DESCRIPTION DESCRIZIONE MODIFICA
PRODUCT SPEC. SPEC. DI PRODOTTO	PACKAGING SPEC. SPEC. DI IMBALLAGGIO	APPLICATION SPEC. SPEC. DI APPLICAZIONE		THIS DRAWING AND ALL OTHER INFORMATION CONTAINED THEREIN IS PROPRIETARY AND THE PROPERTY OF FCI. This drawing may not be copied, reproduced or disclosed to any third party without the expressed written permission of FCI. QUESTO DISEGNO ED OGNI ALTRA INFORMAZIONE IN ESSO CONTENUTA SONO ESCLUSIVAMENTE DELLA FCI. Questo disegno non può essere copiato, riprodotto o divulgato a terzi senza l'espresso consenso scritto della FCI. © FCI April 1999	
TOLERANCES TOLLERANZE	±0.3mm / ±1°	MATERIAL: MATERIALE:		SURFACE FINISH FINITURA SUPERFICIALE	
COUNTERPART N°. CONTROPARTE N°.	1 726 08 X1	SEE TABLE		FCJ	
DO NOT SCALE DRAWING DISEGNO FUORI SCALA	DATE DATA	NAME NOME	TITLE DESCRIZIONE	DRAWING NUMBER NUMERO DISEGNO	CAD SYSTEM pro / eng.
DRAWN BY DISEGNATORE	12/04/06	G.STELLA	ASSEMBLY FEMALE 8 WAY SEALED CONNECTOR	FSD 309914	A2
CHECKED BY CONTROLLATO	12/04/06	N.COLOMBO	EU-060274	FILE NAME NOME FILE	SHEET FOLIO
APPROVED BY APPROVATO			SEE TABLE	fsd309914-1.1-02	SCALE SCALA

## X-ON Electronics

Largest Supplier of Electrical and Electronic Components

*Click to view similar products for [Automotive Connectors](#) category:*

*Click to view products by [APTIV](#) manufacturer:*

Other Similar products are found below :

[003-018-000](#) [60403001](#) [60993906-B](#) [629515004020001](#) [M902-2131](#) [M902-2161](#) [72.330.1035.1](#) [73.353.4028.0](#) [F119300-B](#) [F166900](#)  
[F258300-B](#) [F358300-B](#) [F407400](#) [F444110](#) [F487000](#) [F509500B-B](#) [827153-1](#) [8N1515-32-24P](#) [9-1326729-8](#) [925474-1](#) [928905-1](#) [964562-4](#)  
[968782-1](#) [GT17SA-8DS-HU](#) [98891-1012](#) [98947-1016](#) [12004475-L](#) [12010290](#) [12010309-B](#) [12015454](#) [12020219-B](#) [12020308](#) [12041318-B](#)  
[12052225-L](#) [12052466](#) [12059125](#) [12064869](#) [12004327-B](#) [12010503-B](#) [12015308](#) [12015384](#) [12015909](#) [1-21030-1](#) [12041254](#) [12041318](#)  
[12047946-B](#) [12047957](#) [12047957-L](#) [12059473](#) [12066261](#)