

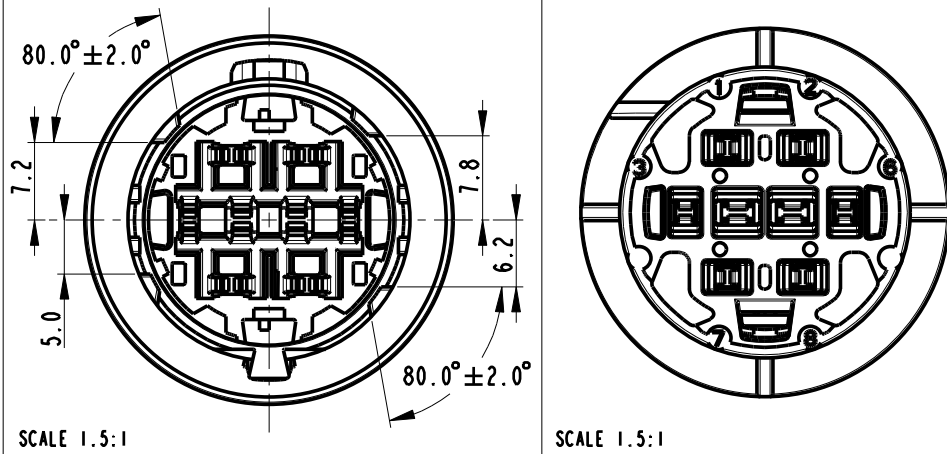
**STRICTLY CONFIDENTIAL**

**ASSEMBLY MALE**

**HOUSING** material PBT  
**O-RING** material SILICON RUBBER

**BLACK COLOUR (colore nero)**

MECHANICAL POLARIZATION (polarizzazione meccanica)



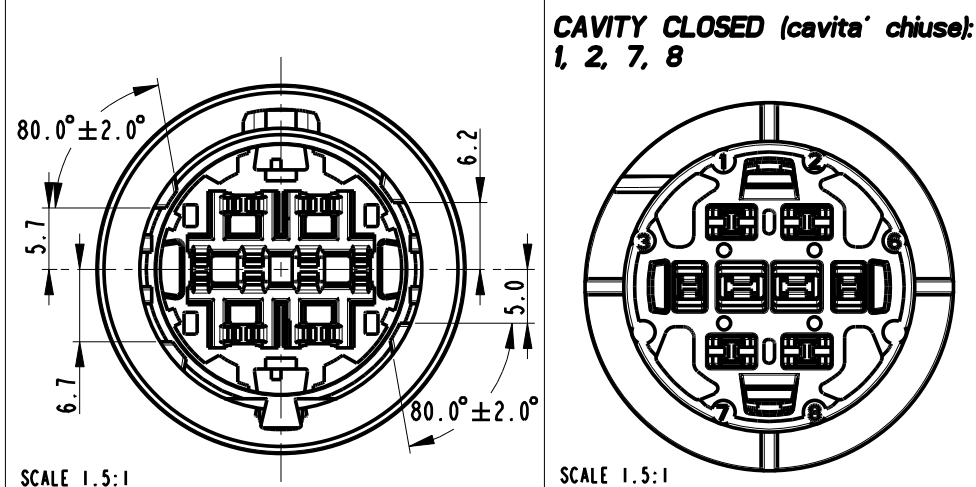
P/N 17260801

**ASSEMBLY MALE**

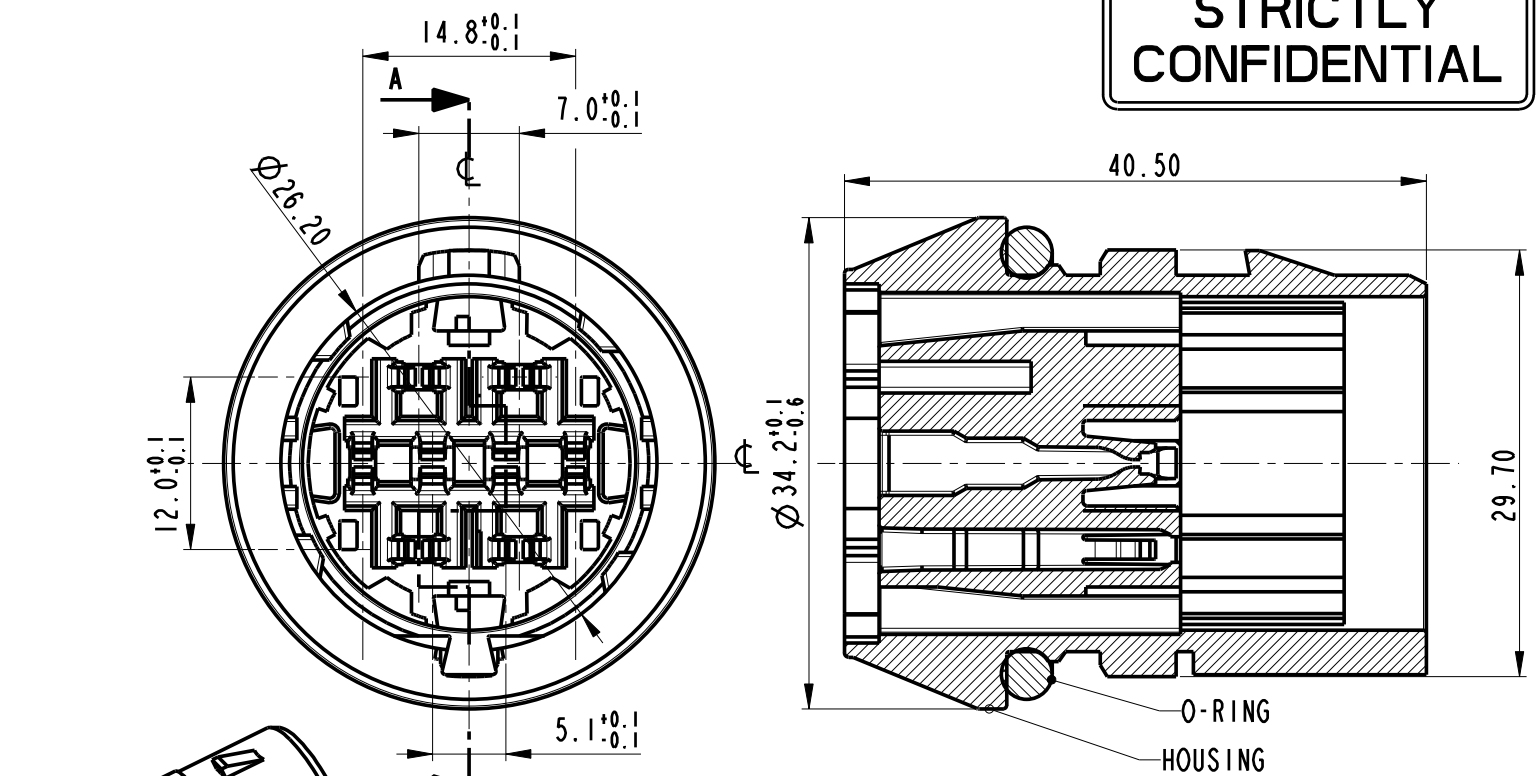
**HOUSING** material PBT  
**O-RING** material SILICON RUBBER

**GREEN COLOUR (colore verde)**

MECHANICAL POLARIZATION (polarizzazione meccanica)

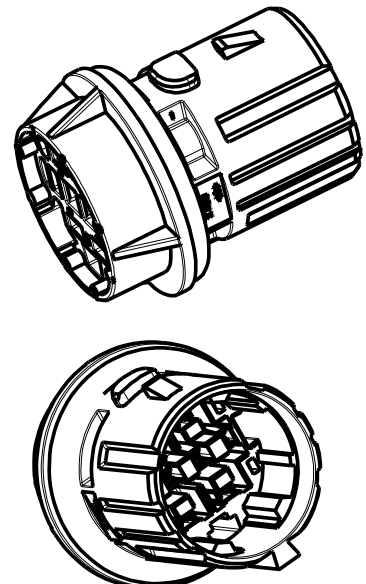


P/N 17260851



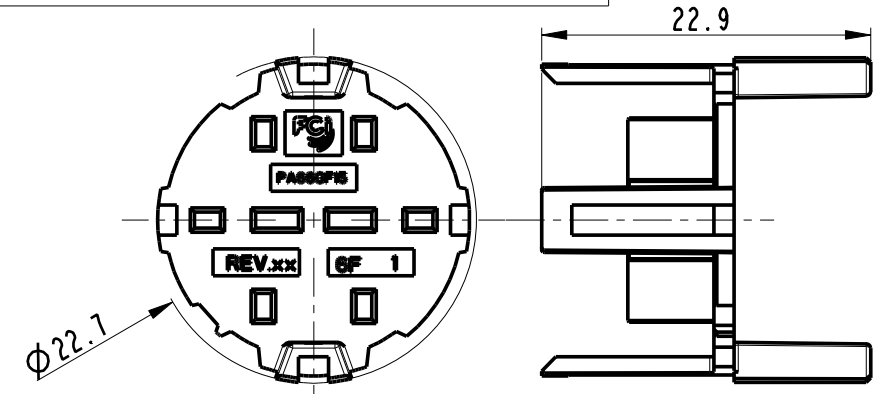
NOTE: The secondary lock is supplied separately (il secondary lock viene fornito separatamente)

CAVITY SUITABLE FOR TERMINAL	WIRE SIZE (mm <sup>2</sup> )	P/N FCI	P/N FIAT AUTO
SICMA2 MALE 2.8x0.8 (T3)	0.35 - 0.75	1 706 21 00	1/05041/54
SICMA2 MALE 2.8x0.8 (T3)	1.0 - 2.5	1 706 21 10	1/01550/54
SICMA3 MALE 1.5x0.8 (T3)	0.35 - 0.75	211CL2S1160	1/03269/54
SICMA3 MALE 1.5x0.8 (T3)	1.0 - 1.5	211CL2S2160	1/03277/54



ECN-NO. / NUMERO -ECN	DATE / DATA	REVISION / REVISIONE	POSITION / POSIZIONE	CHANGE DESCRIPTION / DESCRIZIONE MODIFICA	DRAWN BY / CHK. BY / DISEGNATORE / CONTROLLATO	APPR. BY / APPROVATO
04-10	16/03/2010	04	C2	Replaced 2.8x0.8 terminal PN	GB	MC
01-09	02/02/2009	03-R		RELEASED FOR PRODUCTION Mould revision net necessary	GB	MC
04/07	18/01/07	03		UPDATED TOLLERANCES	DT	MC
92/06	12/12/06	02		UPDATED MODEL DRAWING AND NOTES	D.T.	M.C.
-	23-06-06	01		UPDATED MODEL DRAWING AND NOTES	D.T.	M.C.

SECONDARY LOCK MALE	
COLOUR (colore)	VIOLET COLOUR (colore viola)
P/N	17260874



PRODUCT SPEC. / SPEC. DI PRODOTTO: IPS 310  
 PACKAGING SPEC. / SPEC. DI IMBALLAGGIO: -  
 APPLICATION SPEC. / SPEC. DI APPLICAZIONE: IPS 311

TOLERANCES / TOLLERANZE: ± 0.3 mm. / ± 1°  
 COUNTERPART Nr. / CONTROPARTE Nr.: I 726 08 X5

DO NOT SCALE DRAWING / DISEGNO FUORI SCALA

DRAWN BY / DISEGNATORE: 12-04-06 G. Stella  
 CHECKED BY / CONTROLLATO: M. Colombo  
 APPROVED BY / APPROVATO: 12/04/06 M. Colombo

MATERIAL: / MATERIALE: SEE TABLE  
 COLOUR: / COLORE: SEE TABLE  
 TOOL NO.: -

SURFACE FINISH / FINITURA SUPERFICIALE: -

LOC. CODE / NAZIONALITA': IT

TITLE / DESCRIZIONE: ASSEMBLY MALE 8 WAY CONNECTOR

DRAWING NUMBER / NUMERO DISEGNO: FSC 309915

FILE NAME / NOME FILE: fsc309915

ISO PROJECTION / PROIEZIONE ISO: pro / eng.  
 DIMENSION IN MILLIMETERS / DIMENSIONI IN MILLIMETRI: A3  
 SHEET / FOGLIO: 1 of 1 di 1  
 SCALE / SCALA: 2:1

## X-ON Electronics

Largest Supplier of Electrical and Electronic Components

*Click to view similar products for [Automotive Connectors](#) category:*

*Click to view products by [APTIV](#) manufacturer:*

Other Similar products are found below :

[003-018-000](#) [60403001](#) [60993906-B](#) [629515004020001](#) [M902-2131](#) [M902-2161](#) [72.330.1035.1](#) [73.353.4028.0](#) [F119300-B](#) [F166900](#)  
[F258300-B](#) [F358300-B](#) [F407400](#) [F444110](#) [F487000](#) [F509500B-B](#) [827153-1](#) [8N1515-32-24P](#) [9-1326729-8](#) [925474-1](#) [928905-1](#) [964562-4](#)  
[968782-1](#) [GT17SA-8DS-HU](#) [98891-1012](#) [98947-1016](#) [12004475-L](#) [12010290](#) [12010309-B](#) [12015454](#) [12020219-B](#) [12020308](#) [12041318-B](#)  
[12052225-L](#) [12052466](#) [12059125](#) [12064869](#) [12004327-B](#) [12010503-B](#) [12015308](#) [12015384](#) [12015909](#) [1-21030-1](#) [12041254](#) [12041318](#)  
[12047946-B](#) [12047957](#) [12047957-L](#) [12059473](#) [12066261](#)