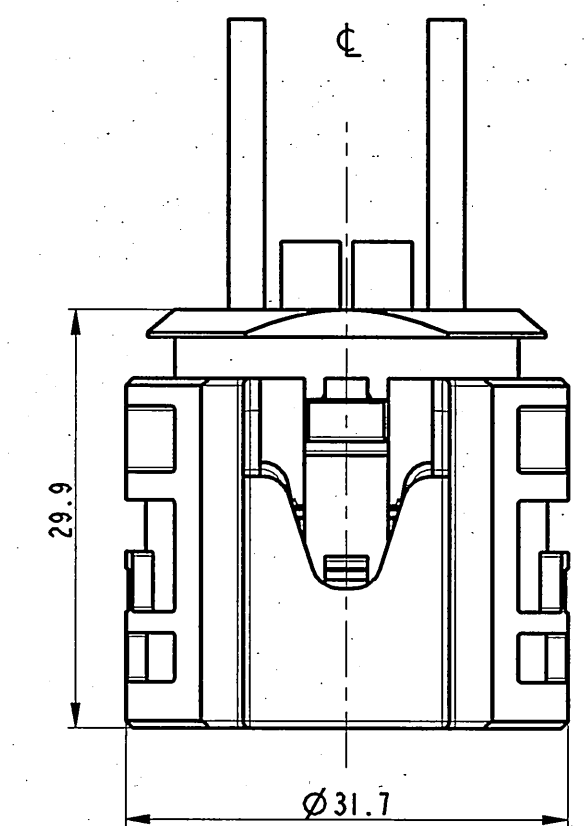
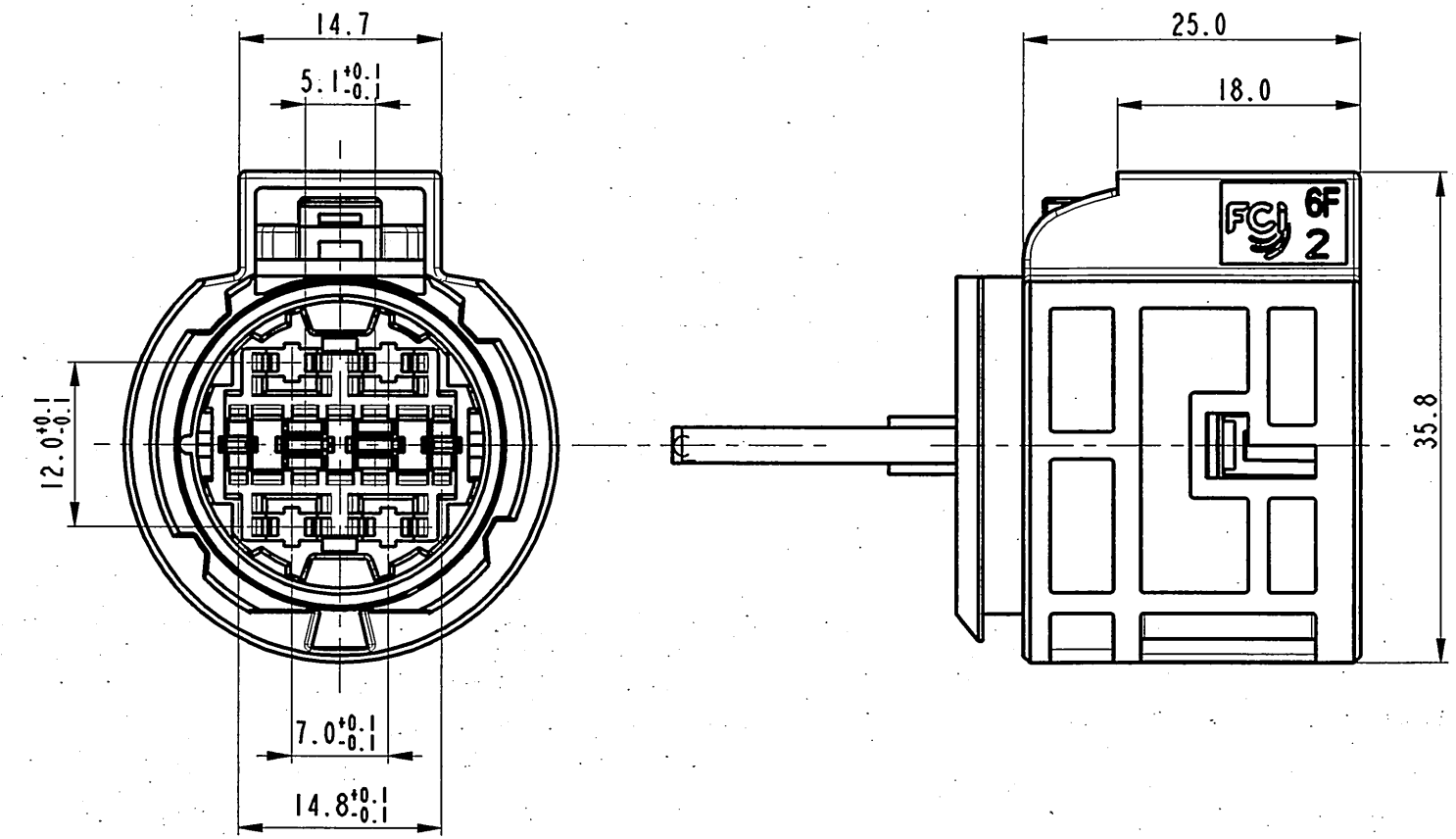


STRICTLY CONFIDENTIAL

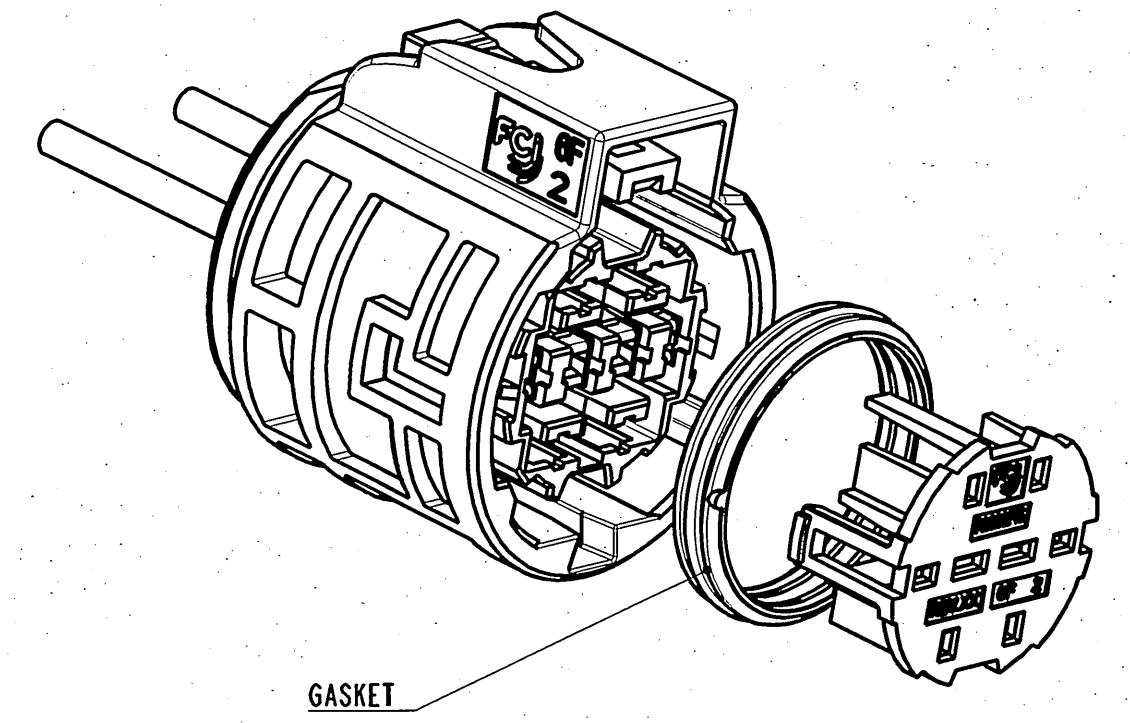
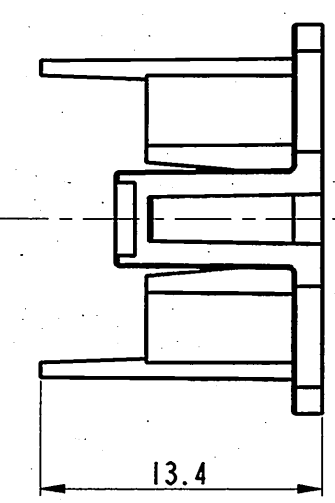
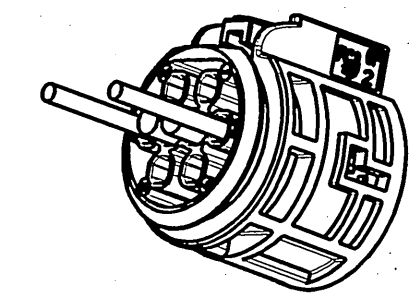
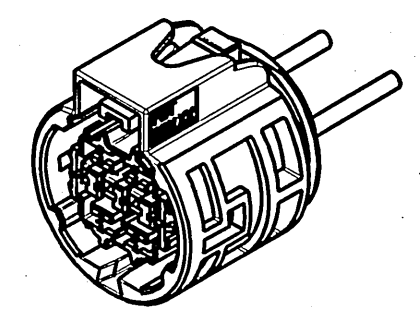
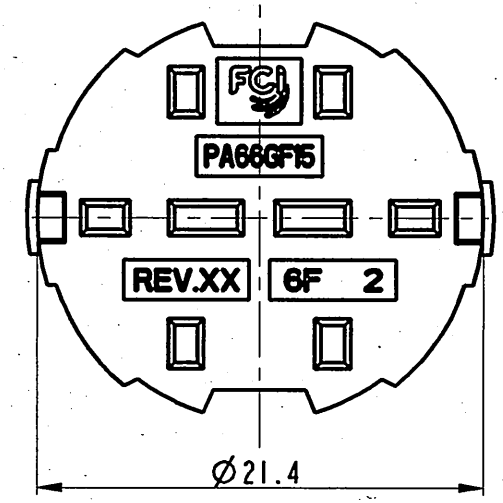
ASSEMBLY FEMALE	
HOUSING	material PBT
GASKET	material LSR - colour RED
BLACK COLOUR (colore nero)	
8 way	
MECHANICAL POLARIZATION (polarizzazione meccanica)	
SCALE 1:1	
P/N	17260805

ASSEMBLY FEMALE	
HOUSING	material PBT
GASKET	material LSR - colour RED
BROWN COLOUR (colore marrone)	
5 way	
MECHANICAL POLARIZATION (polarizzazione meccanica)	
SCALE 1:1	
P/N	17260815

ASSEMBLY FEMALE	
HOUSING	material PBT
GASKET	material LSR - colour RED
GREEN COLOUR (colore verde)	
4 way	
MECHANICAL POLARIZATION (polarizzazione meccanica)	
SCALE 1:1	
P/N	17260855



SECONDARY LOCK FEMALE	
MATERIAL (materiale)	PA66-GF15%
COLOUR (colore)	VIOLET COLOUR (colore viola)
P/N	17260879



GASKET
SEC-LOCK

THE SEC-LOCK IS SUPPLIED SEPARATELY
IL SEC-LOCK VIENE FORNITO SEPARATAMENTE

CAVITY SUITABLE FOR TERMINAL	WIRE SIZE (mm ²)	P/N SWS COLOUR	P/N CAVITY PLUG COLOUR
SICMA3 FEMALE 1.5 (T3) P/N 211CC2S0161	0.35	211M0007 YELLOW	211M0012 WHITE
SICMA3 FEMALE 1.5 (T3) P/N 211CC2S1161	0.50 - 0.75		
SICMA3 FEMALE 1.5 (T3) P/N 211CC2S4161	1.0	211M0008 GREEN	211M0013 WHITE
SICMA3 FEMALE 1.5 (T3) P/N 211CC2S2161	1.5		
SICMA2 FEMALE 2.8 (T3) P/N 17062000	0.35 - 0.75	211M0009 RED	211M0010 BLUE
SICMA2 FEMALE 2.8 (T3) P/N 17062010	1.0 - 2.5		

01-09	02/02/2009	02-R	RELEASED FOR PRODUCTION Mould revision not necessary				
92/06	12/12/06	02	UPDATED MODEL DRAWING AND NOTES		FP	MC	
	23/06/06	01	UPDATED MODEL DRAWING AND NOTES		FP	MC	
ECH-NO. NUMERO - FCH	DATE DATA	DD / MM / YY GG / AA	REVISION MODIFICA	POSITION POSIZIONE	CHANGE DESCRIPTION DESCRIZIONE MODIFICA		
PRODUCT SPEC. SPEC. DI PRODOTTO		PACKAGING SPEC. SPEC. DI IMBALLAGGIO		APPLICATION SPEC. SPEC. DI APPLICAZIONE		THIS DRAWING AND ALL OTHER INFORMATION CONTAINED THEREIN IS PROPRIETARY AND THE PROPERTY OF FCI. This drawing may not be copied, reproduced or disclosed to any third party without the expressed written permission of FCI. QUESTO DISEGNO ED OGNI ALTRA INFORMAZIONE IN ESSO CONTENUTA SONO ESCLUSIVAMENTE DELLA FCI. Questo disegno non può essere copiato, riprodotto o divulgato a terzi senza l'espresso consenso scritto della FCI. © FCI April 1999	
TOLERANCES TOLLERANZE		±0.3mm / ±0.1"		MATERIAL: MATERIALE:		SURFACE FINISH FINITURA SUPERFICIALE	
CONTRAPART N° CONTRAPARTE N°		I 726 08 X1		SEE TABLE		SEE TABLE	
DO NOT SCALE DRAWING NON SCALARE IL DISEGNO		DATE DATA		NAME NOME		LOC. CODE NAZIONALITA'	
DRAWN BY DISEGNATORE		12/04/06		G.STELLA		TITLE DESCRIZIONE	
CHECKED BY CONTROLLATO		12/04/06		M.COLOMBO		DRAWING NUMBER NUMERO DISEGNO	
APPROVED BY APPROVATO		12/04/06		M.COLOMBO		ASSEMBLY FEMALE 8 WAY SEALED CONNECTOR	
ESR NO. NUMERO ESR		EU-060274		CAT. NO. NUMERO CAT.		SEE TABLE	
FILE NAME NOME FILE		fsd309914-1.1-02		DRAWING NUMBER NUMERO DISEGNO		FSD 309914	
SCALE SCALA		2:1		SHEET FOGLIO		1 / 1	

X-ON Electronics

Largest Supplier of Electrical and Electronic Components

Click to view similar products for [Automotive Connectors](#) category:

Click to view products by [APTIV](#) manufacturer:

Other Similar products are found below :

[003-018-000](#) [60403001](#) [60993906-B](#) [629515004020001](#) [M902-2131](#) [M902-2161](#) [72.330.1035.1](#) [73.353.4028.0](#) [F119300-B](#) [F166900](#)
[F258300-B](#) [F358300-B](#) [F407400](#) [F444110](#) [F487000](#) [F509500B-B](#) [827153-1](#) [8N1515-32-24P](#) [9-1326729-8](#) [925474-1](#) [928905-1](#) [964562-4](#)
[968782-1](#) [GT17SA-8DS-HU](#) [98891-1012](#) [98947-1016](#) [12004475-L](#) [12010290](#) [12010309-B](#) [12015454](#) [12020219-B](#) [12020308](#) [12041318-B](#)
[12052225-L](#) [12052466](#) [12059125](#) [12064869](#) [12004327-B](#) [12010503-B](#) [12015308](#) [12015384](#) [12015909](#) [1-21030-1](#) [12041254](#) [12041318](#)
[12047946-B](#) [12047957](#) [12047957-L](#) [12059473](#) [12066261](#)