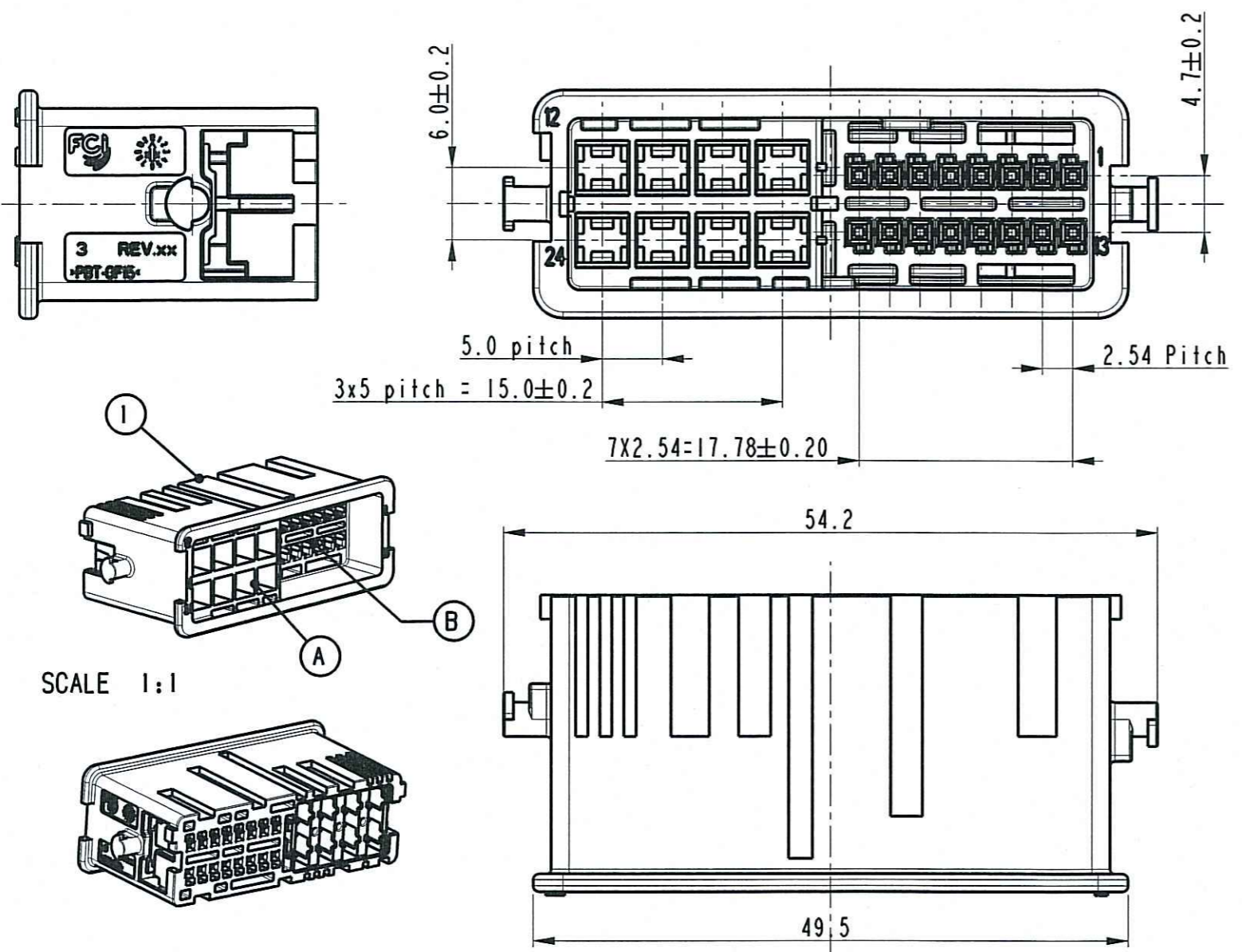


STRICTLY CONFIDENTIAL



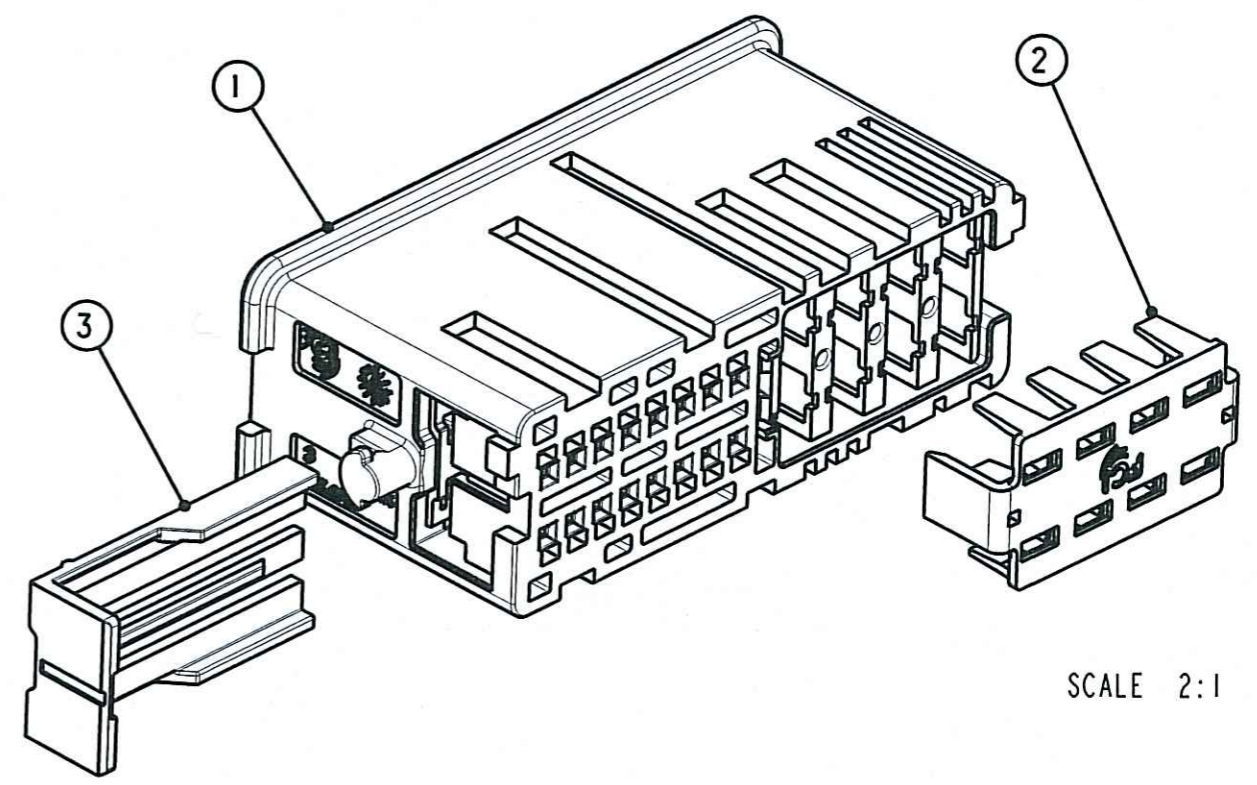
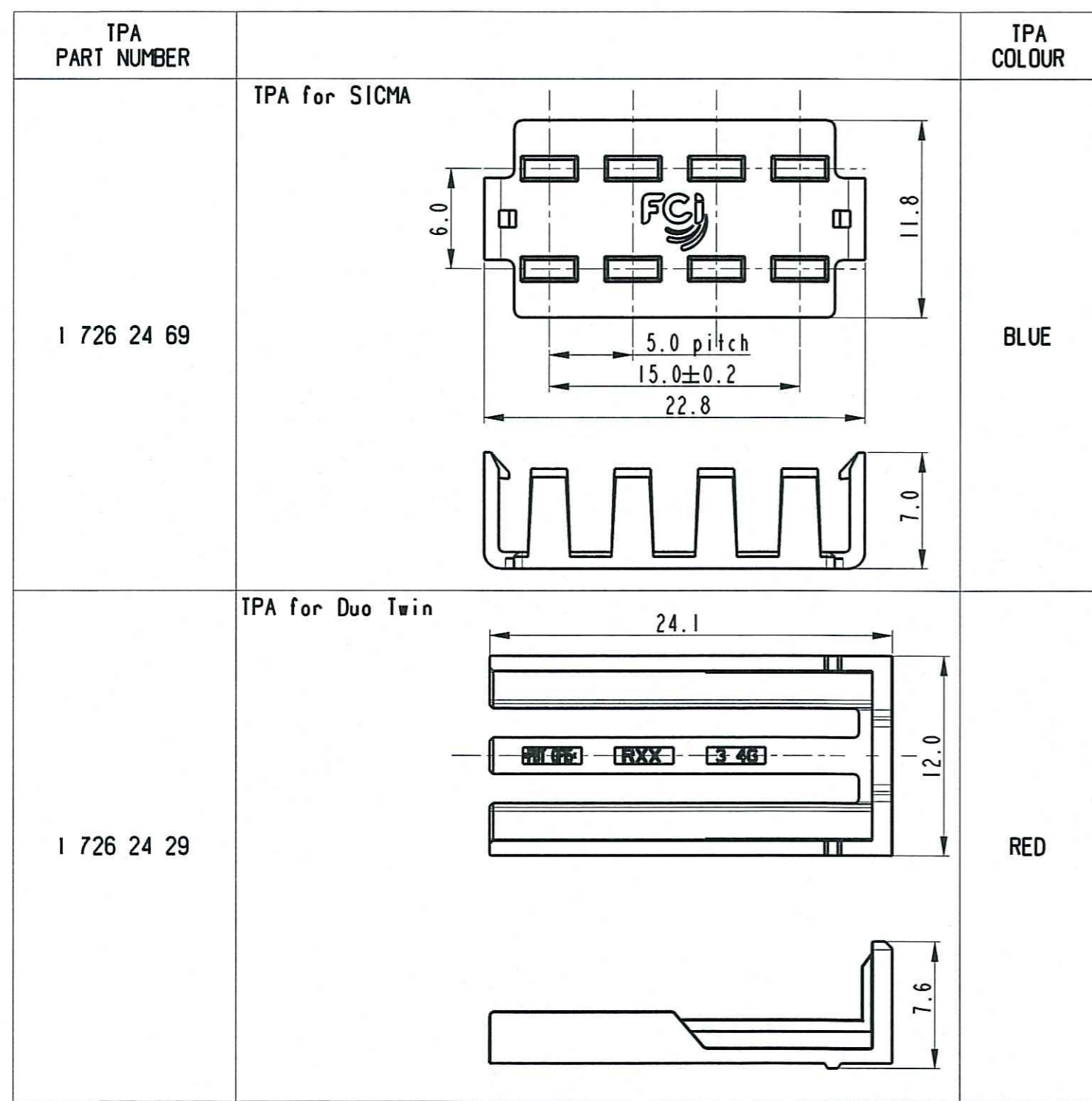
ITEM	Q.TY	COMPONENTS DESCRIPTION	MATERIAL	COLOUR
1	1	24 WAY Female Housing	PBT GF15	BROWN or GREEN
2 lsheet 2/21	1	TPA of SICMA 2.8x0.8 mm terminals	PBT GF15	BLUE
3 lsheet 2/21	1	TPA of Duo Twin 0.64x0.64 terminals	PBT GF15	RED

NOTE:
 A) Cavity suitable to mount the SICMA 2.8x0.8 mm female terminals.
 B) Cavity suitable to mount the 0.64 mm Duo Twin female terminals.
 C) Refer to drawing FSC 310083 for 24way male connector.

FEMALE CONNECTOR P/N		COLOUR	COUNTERPART P/N
1 726 24 10		BROWN	1 726 24 11
1 726 2450		GREEN	1 726 24 51

10/11	17/05/11	00R	-	RELEASED FOR PRODUCTION Mold revision not necessary	21	26	
ECN-NO. NUMERO -ECN	DATE DD / MM / YY DATA	REVISION REVISIONE	POSITION POSIZIONE	CHANGE DESCRIPTION DESCRIZIONE MODIFICA	DRAWN BY DISEGNATORE	CHK. BY CONTROLLATO	APPR. BY APPROVATO
PRODUCT SPEC. SPEC. DI PRODOTTO	PACKAGING SPEC. SPEC. DI IMBALLAGGIO	APPLICATION SPEC. SPEC. DI APPLICAZIONE	THIS DRAWING AND ALL OTHER INFORMATION CONTAINED THEREIN IS PROPRIETARY AND THE PROPERTY OF FCI. This drawing may not be copied, reproduced or disclosed to any third party without the expressed written permission of FCI. © FCI April 1999		QUESTO DISEGNO ED OGNI ALTRA INFORMAZIONE IN ESSO CONTENUTA SONO ESCLUSIVI E DI PROPRIETA' DELLA FCI. Questo disegno non puo' essere copiato, riprodotto o divulgato a terzi senza l'espresso consenso scritto della FCI. © FCI April 1999		
TOLERANCES TOLLERANZE	± 0.3 mm. / ± 0°	MATERIAL : MATERIALE :	See Table	SURFACE FINISH FINITURA SUPERFICIALE	CAD SYSTEM pro / eqg.		
COUNTERPART Nr. CONTROPARTE Nr.	SEE TABLE	COLOUR : COLORE :	See Table	FCI ISO PROJECTION PROIEZIONE ISO DIMENSION IN MILLIMETERS DIMENSIONI IN MILLIMETRI			
DO NOT SCALE DRAWING DISEGNO FUORI SCALA	DATE DATA	NAME NOME	TITLE DESCRIZIONE	LOC. CODE NAZIONALITA'	DRAWING NUMBER NUMERO DISEGNO	SHEET FOGLIO	
DRAWN BY DISEGNATORE	26/04/07	D. Testa	24 WAY FEMALE CONNECTOR	IT	FSC 310085	1 of 1 di 2	
CHECKED BY CONTROLLATO						SCALE SCALA 2:1	
APPROVED BY APPROVATO	27/04/07	H.C.	ESR NO. NUMERO ESR	CAT. NO. NUMERO CAT.	See Table	FILE NAME NOME FILE	

STRICTLY CONFIDENTIAL



ITEM	Q.TY	COMPONENTS DESCRIPTION	MATERIAL	COLOUR
1 (sheet 1/2)	1	24 WAY Female Housing	PBT GF15	BROWN or GREEN
2	1	TPA for SICMA 2.8x0.8 mm terminals	PBT GF15	BLUE
3	1	TPA for Duo Twin 0.64x0.64 terminals	PBT GF15	RED

10/11	17/05/11	00R	RELEASED FOR PRODUCTION Mold revision not necessary
ECN-NO. NUMERO -ECN	DATE DD / MM / YY DATA	REVISION REVISIONE	POSITION POSIZIONE
PRODUCT SPEC. SPEC. DI PRODOTTO	PACKAGING SPEC. SPEC. DI IMBALLAGGIO	APPLICATION SPEC. SPEC. DI APPLICAZIONE	CHANGE DESCRIPTION DESCRIZIONE MODIFICA
IPS 320		IPS 321 IPS 322	
TOLERANCES TOLLERANZE ± 0.3 mm. / ± 1°			MATERIAL : MATERIALE :
COUNTERPART Nr. CONTROPARTE Nr.			See Table
DO NOT SCALE DRAWING DISEGNO FUORI SCALA			TOOL NO.
DRAWN BY DISEGNATORE			DATE DATA
CHECKED BY CONTROLLATO			NAME NOME
APPROVED BY APPROVATO			TITLE DESCRIZIONE
26/04/07			D. Testa
27/04/07			M.C.
SURFACE FINISH FINITURA SUPERFICIALE			LOC. CODE NAZIONALITA'
See table			IT
DRAWING NUMBER NUMERO DISEGNO			FSC 310085
FILE NAME NOME FILE			
CAD SYSTEM			ISO PROJECTION PROIEZIONE ISO
pro / e.g.			DWG SIZE FORMATO
A3			SHEET FOGLIO
2 of 2 di			SCALE SCALA
3:1			

X-ON Electronics

Largest Supplier of Electrical and Electronic Components

Click to view similar products for [Automotive Connectors](#) category:

Click to view products by [APTIV](#) manufacturer:

Other Similar products are found below :

[003-018-000](#) [60403001](#) [60993906-B](#) [629515004020001](#) [M902-2131](#) [M902-2161](#) [72.330.1035.1](#) [73.353.4028.0](#) [F119300-B](#) [F166900](#)
[F258300-B](#) [F358300-B](#) [F407400](#) [F444110](#) [F487000](#) [F509500B-B](#) [827153-1](#) [8N1515-32-24P](#) [9-1326729-8](#) [925474-1](#) [928905-1](#) [964562-4](#)
[968782-1](#) [GT17SA-8DS-HU](#) [98891-1012](#) [98947-1016](#) [12004475-L](#) [12010290](#) [12010309-B](#) [12015454](#) [12020219-B](#) [12020308](#) [12041318-B](#)
[12052225-L](#) [12052466](#) [12059125](#) [12064869](#) [12004327-B](#) [12010503-B](#) [12015308](#) [12015384](#) [12015909](#) [1-21030-1](#) [12041254](#) [12041318](#)
[12047946-B](#) [12047957](#) [12047957-L](#) [12059473](#) [12066261](#)