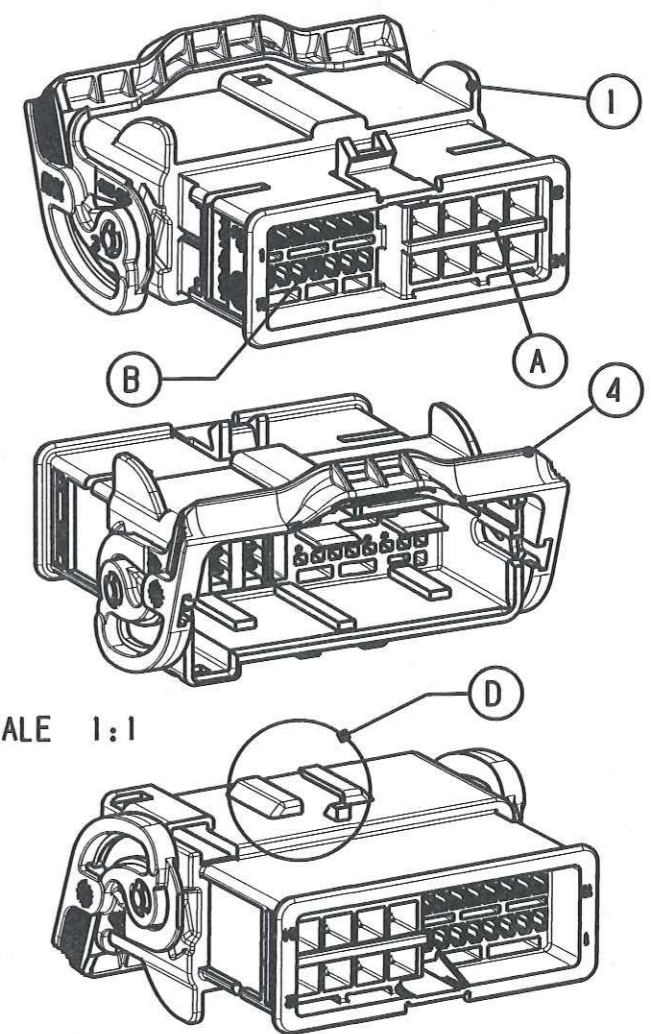
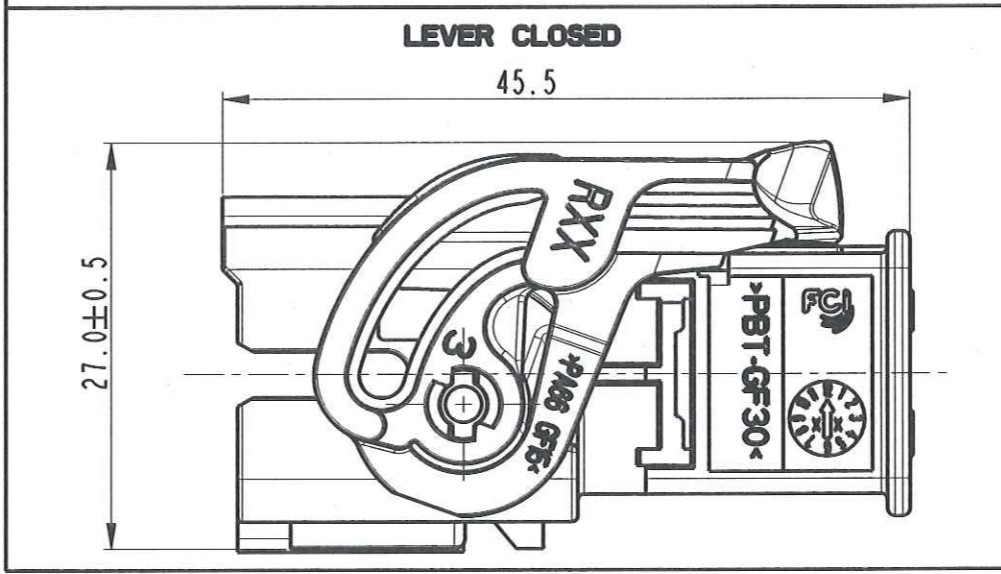
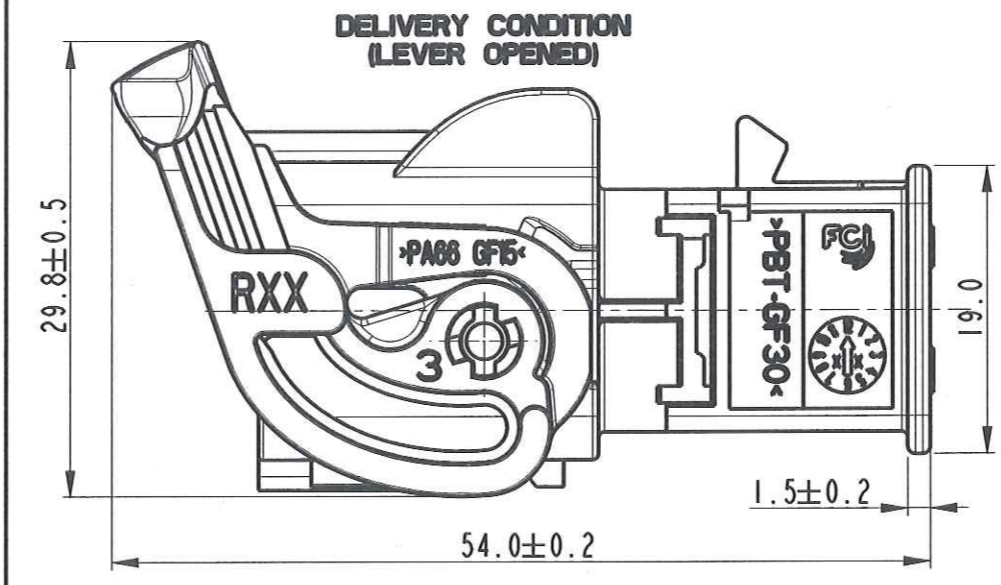
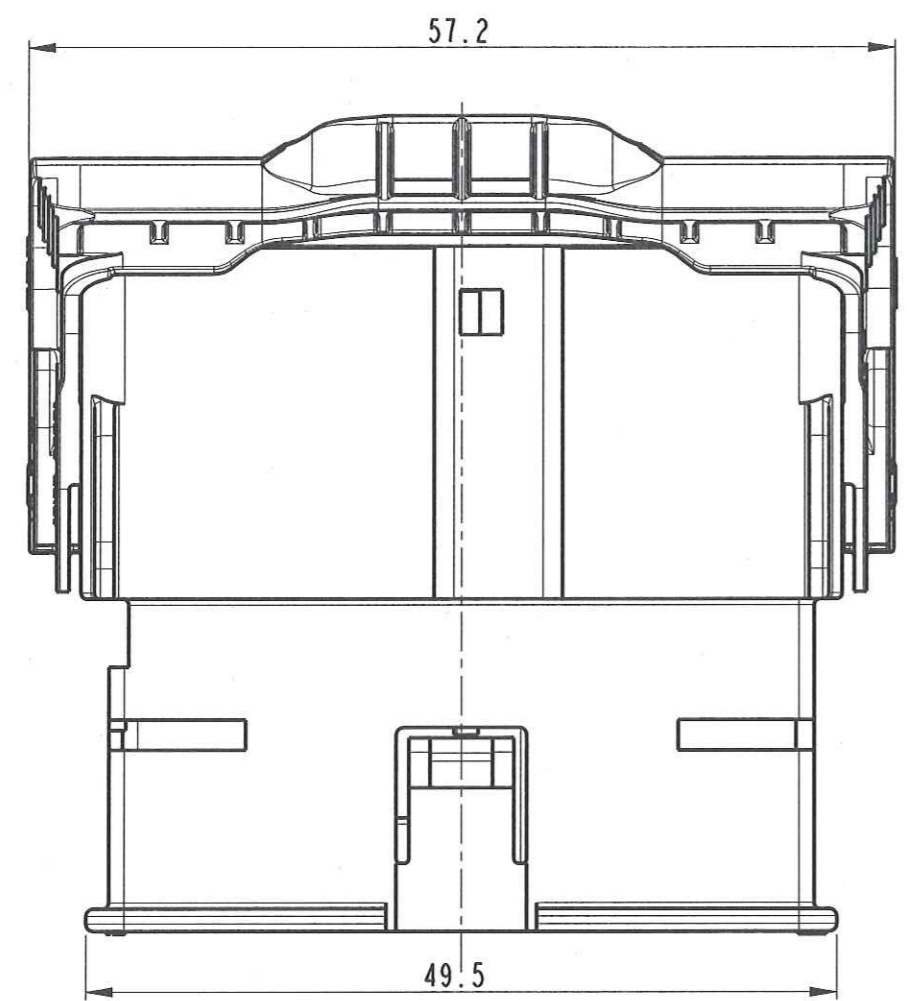
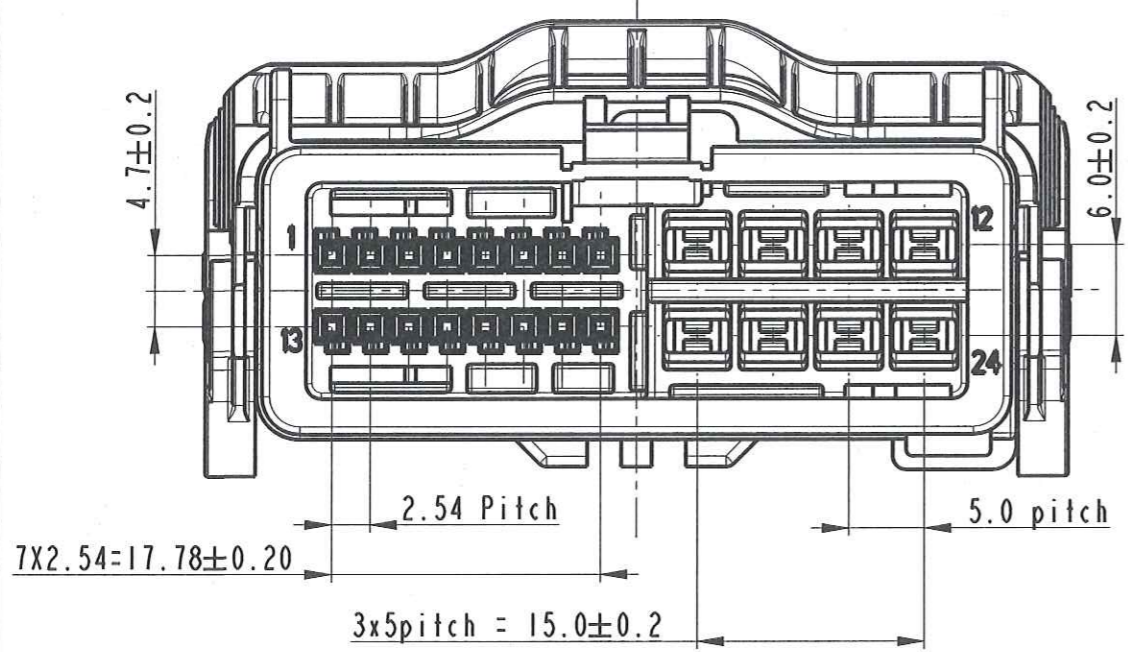


STRICTLY CONFIDENTIAL



SCALE 1:1

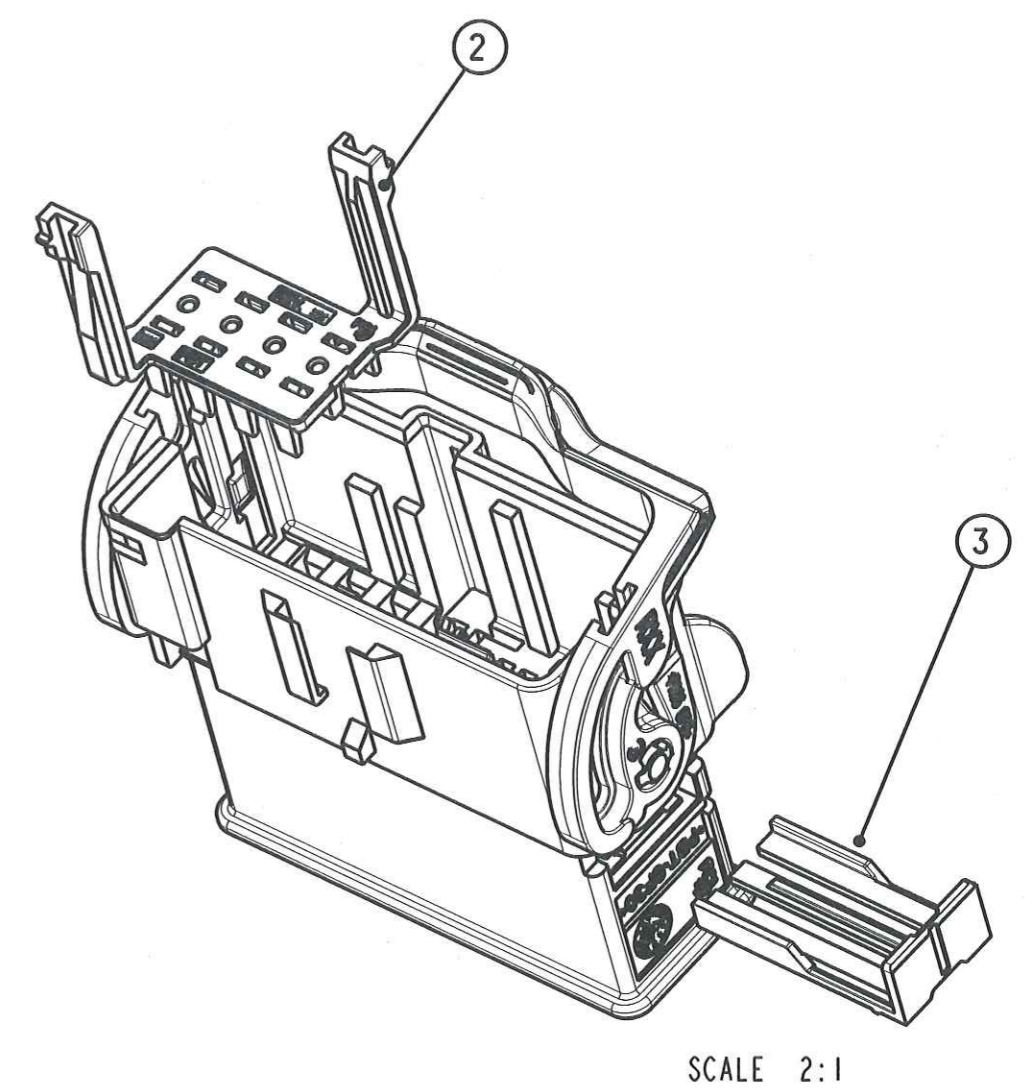
- NOTE:**
- A) Cavity suitable for SICMA 2.8x0.8 mm male terminals
 - B) Cavity suitable for 0.64 mm Duo Twin male terminals.
 - C) Refer to drawing FSC 310085 for 24way female connector.
 - D) Zone suitable to accept the fixing clip.

ITEM	QUANTITY	COMPONENTS DESCRIPTION	MATERIAL	COLOUR
1	1	24 WAY Male Housing	PBT GF30	BROWN or GREEN
2 Isheet 2/2)	1	TPA of SICMA 2.8x0.8 mm terminals	PBT	BLUE
3 Isheet 2/2)	1	TPA of Duo Twin 0.64x0.64 terminals	PBT GF15	RED
4	1	Lever	PA6.6 GF15	RED

12-00021	16/02/12	A	Modified Housing and Lever		
10/11	17/05/11	02R	RELEASED FOR PRODUCTION Mold revision not necessary	TD	MC
	06/03/08	02	Aggiornato vista foglio 2/2	TD	MC
	05/12/07	01	Variato materiale TPA sicma (era PBTGF15)	T.D.	M.C.
ECN-NO. NUMERO -ECN	DATE DD/ MM / YY DATA	REVISION REVISIONE	POSITION POSIZIONE	CHANGE DESCRIPTION DESCRIZIONE MODIFICA	
PRODUCT SPEC. SPEC. DI PRODOTTO	PACKAGING SPEC. SPEC. DI IMBALLAGGIO	APPLICATION SPEC. SPEC. DI APPLICAZIONE	THIS DRAWING AND ALL OTHER INFORMATION CONTAINED THEREIN IS PROPRIETARY AND THE PROPERTY OF FCI. This drawing may not be copied, reproduced or disclosed to any third party without the expressed written permission of FCI. © FCI April 1999		
IPS320	-	IPS321 IPS322	QUESTO DISEGNO ED OGNI ALTRA INFORMAZIONE IN ESSO CONTENUTA SONO ESCLUSIVI E DI PROPRIETA' DELLA FCI. Questo disegno non puo' essere copiato, riprodotto o divulgato a terzi senza l'espresso consenso scritto della FCI. © FCI April 1999		
TOLERANCES TOLLERANZE ± 0.3 mm. / ± 0°		MATERIAL: MATERIALE: See Table		SURFACE FINISH FINITURA SUPERFICIALE -	
COUNTERPART Nr. CONTROPARTE Nr. SEE TABLE SHEET 2/2		COLOUR: COLORE: See Table		CAD SYSTEM pro / eng.	
DO NOT SCALE DRAWING DISEGNO FUORI SCALA		TOOL NO. -		LOC. CODE NAZIONALITA' IT	
DRAWN BY DISEGNATORE	DATE DATA	NAME NOME	TITLE DESCRIZIONE		DRAWING NUMBER NUMERO DISEGNO
26/04/07		D. Testa	24 WAY MALE CONNECTOR		FSC 310083
CHECKED BY CONTROLLATO	26/04/07	M.C.	ESR NO. NUMERO ESR	CAT. NO. NUMERO CAT. See Table	FILE NAME NONE FILE
				SCALE 2:1	

STRICTLY CONFIDENTIAL

COMPONENT	P/N		COLOUR	COUNTERPART P/N
MALE HOUSING + LEVER	1 726 24 11		BROWN	1 726 24 10
MALE HOUSING + LEVER	1 726 24 51		GREEN	1 726 24 50
TPA for SICMA	1 726 24 64		BLUE	
TPA for Duo Twin	1 726 24 29		RED	



12-00021	16/02/12	A		Modified Housing and Lever		
10/11	17/05/11	02R		RELEASED FOR PRODUCTION Mold revision not necessary	TD	MC
	06/03/08	02		Aggiornato vista foglio 2/2	TD	MC
	05/12/07	01		Variato materiale TPA sicma (era PBTGF15)	T.D.	M.C
ECN-NO. NUMERO -ECN	DATE DD / MM / YY	REVISION REVISIONE	POSITION POSIZIONE	CHANGE DESCRIPTION DESCRIZIONE MODIFICA	DRAWN BY DISEGNATORE	CHK. BY CONTROLLATO
PRODUCT SPEC. SPEC. DI PRODOTTO	PACKAGING SPEC. SPEC. DI INBALLAGGIO	APPLICATION SPEC. SPEC. DI APPLICAZIONE	THIS DRAWING AND ALL OTHER INFORMATION CONTAINED HEREIN IS PROPRIETARY AND THE PROPERTY OF FCI. This drawing may not be copied, reproduced or disclosed to any third party without the expressed written permission of FCI. © FCI April 1999			
IPS320	-	IPS321 IPS322	QUESTO DISEGNO ED OGNI ALTRA INFORMAZIONE IN ESSO CONTENUTA SONO ESCLUSIVI E DI PROPRIETA' DELLA FCI. Questo disegno non puo' essere copiato, riprodotto o divulgato a terzi senza l'espresso consenso scritto della FCI. © FCI April 1999			
TOLERANCES TOLLERANZE	± 0.3 mm. / ± 0°	MATERIAL : MATERIALE	See Table	SURFACE FINISH FINITURA SUPERFICIALE		
COUNTERPART Nr. CONTROPARTE Nr.	See table	COLOUR : COLORE	See Table			
DO NOT SCALE DRAWING DISEGNO FUORI SCALA		TOOL NO.		LOC. CODE NAZIONALITA'	IT	
DRAWN BY DISEGNATORE	DATE DATA	NAME NOME	TITLE DESCRIZIONE	DRAWING NUMBER NUMERO DISEGNO	FSC 310083	CAD SYSTEM pro / eng.
CHECKED BY CONTROLLATO	26/04/07	D. Testa	24 WAY MALE CONNECTOR			ISO PROJECTION PROIEZIONE ISO
APPROVED BY APPROVATO	26/04/07	M.C.		FILE NAME NONE FILE		DWG SIZE FORMATO A3
						SHEET FOGLIO 2 of 2 di 2
						SCALE SCALA

X-ON Electronics

Largest Supplier of Electrical and Electronic Components

Click to view similar products for [Automotive Connectors](#) category:

Click to view products by [APTIV](#) manufacturer:

Other Similar products are found below :

[003-018-000](#) [60403001](#) [60993906-B](#) [629515004020001](#) [M902-2131](#) [M902-2161](#) [72.330.1035.1](#) [73.353.4028.0](#) [F119300-B](#) [F166900](#)
[F258300-B](#) [F358300-B](#) [F407400](#) [F444110](#) [F487000](#) [F509500B-B](#) [827153-1](#) [8N1515-32-24P](#) [9-1326729-8](#) [925474-1](#) [928905-1](#) [964562-4](#)
[968782-1](#) [GT17SA-8DS-HU](#) [98891-1012](#) [98947-1016](#) [12004475-L](#) [12010290](#) [12010309-B](#) [12015454](#) [12020219-B](#) [12020308](#) [12041318-B](#)
[12052225-L](#) [12052466](#) [12059125](#) [12064869](#) [12004327-B](#) [12010503-B](#) [12015308](#) [12015384](#) [12015909](#) [1-21030-1](#) [12041254](#) [12041318](#)
[12047946-B](#) [12047957](#) [12047957-L](#) [12059473](#) [12066261](#)