

CMC PIN HEADER

32, 48, 64 way



CMC 32 way pin header

PRODUCT BENEFITS

- Compact and small form factor
- Sealable pin header by cover and gasket
- Tinned pins, silvered pins upon demand
- Through hole solder type

SERIES FEATURES

- Standard footprint interface of the market
- Standard interface interchangeable with multiple female housing suppliers
- Easy solder process to a PCB*
- Small occupancy on the PCB*

TECHNICAL CHARACTERISTICS

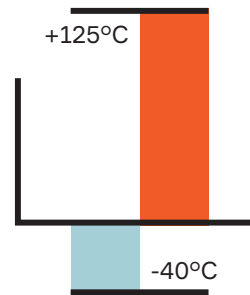
Orientation	90°
Materials	PA4.6 GF30%, CuZn30
Genders	Male

APPLICATIONS

Engine management
Gas converter
Body control

See back page for representative part numbers and packaging dimensions.

TEMPERATURE



VIBRATION



WATER PROOF CLASS CAPABLE



CONNECTOR MATING FORCE

< 60N

About Aptiv

Aptiv is a global technology company that develops safer, greener and more connected solutions enabling the future of mobility. Headquartered in Dublin, Aptiv has approximately 150,000 employees and operates 14 technical centers, as well as manufacturing sites and customer support centers in 45 countries.

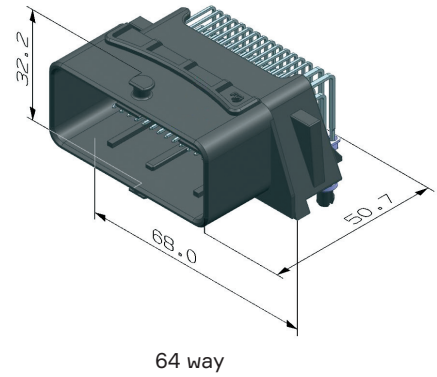
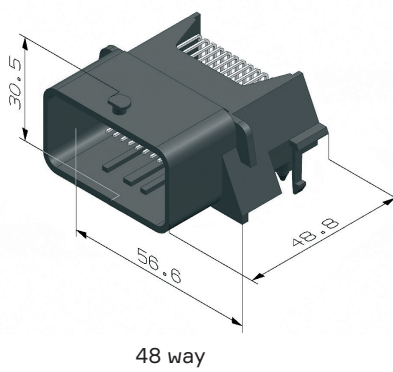
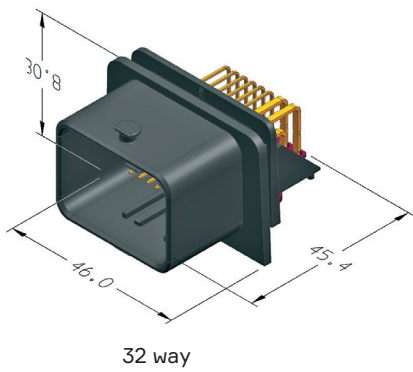
Visit aptiv.com



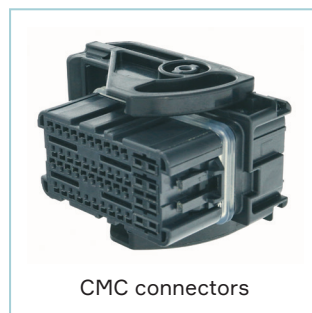
* Printed circuit board

Part number	Type	Color codings
33503152	32	Blue
33503150		Black
33503149		Grey
33503151		Brown
33503457	48	Black
33504511	64	Black
33504510		Black
33504512		Grey
33504513		Black

 DIMENSION MEASUREMENT SAMPLE



 COMPATIBLE WITH



Part numbers, specifications, dimensions and performance data in this document are for general references only and are subject to change without notice. To verify product information, please contact a Aptiv representative.

CS-SP31-CMC-En0718

• **APTIV** •

aptiv.com | © 2018 Aptiv. All rights reserved

X-ON Electronics

Largest Supplier of Electrical and Electronic Components

Click to view similar products for [Automotive Connectors](#) category:

Click to view products by [APTIV](#) manufacturer:

Other Similar products are found below :

[003-018-000](#) [60993906-B](#) [M902-2131](#) [M902-2161](#) [M902-2344](#) [72.330.1035.1](#) [73.353.4028.0](#) [F166900](#) [F358300-B](#) [F407400](#) [776880-1](#)
[827153-1](#) [8N1515-32-24P](#) [9-1326729-8](#) [925474-1](#) [928905-1](#) [964562-4](#) [968782-1](#) [98891-1012](#) [12004475-L](#) [12020308](#) [12041318-B](#)
[12052466](#) [12064869](#) [12015909](#) [1-21030-1](#) [12041254](#) [12041318](#) [12047946-B](#) [12110546-B](#) [12131792](#) [12084688](#) [12092346](#) [HD34-18-14PT](#)
[HD46-24-23SN-059](#) [HDB36-24-16PN-059](#) [HDP26-24-9SE-L015](#) [12185280](#) [12185550](#) [12336-12](#) [12191172-B](#) [12S](#) [13545280](#) [13577943](#)
[13681974](#) [13737722-B](#) [13830674](#) [13832576](#) [13849772](#) [13542772](#)