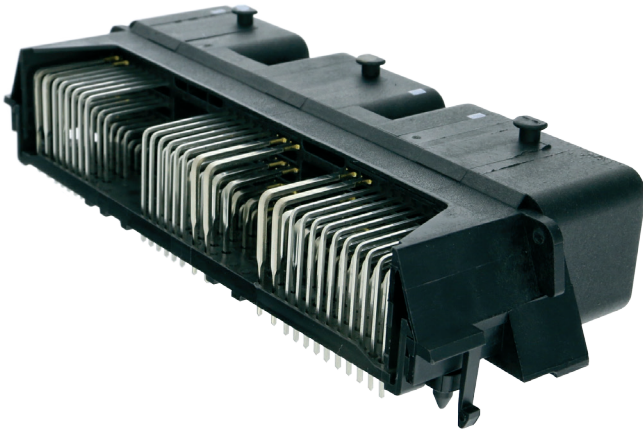


# CMC PIN HEADER

112, 154 way



112 way CMC pin header

## PRODUCT BENEFITS

- Compact and small form factor
- Sealable pin header by cover and gasket
- Tinned pins, silvered pins upon demand
- Through hole solder type

## SERIES FEATURES

- Standard footprint interface of the market
- Standard interface interchangeable with multiple female housing suppliers
- Easy solder process to a PCB\*
- Small occupancy on the PCB\*

## TECHNICAL CHARACTERISTICS

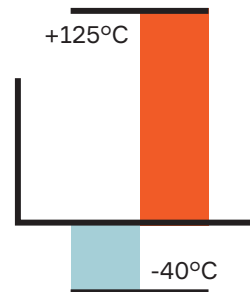
Orientation	90°
Materials	PA4.6 GF30%, CuZn30
Genders	Male

## APPLICATIONS

Engine management
Gas converter
Body control

See back page for representative part numbers and packaging dimensions.

## TEMPERATURE



## VIBRATION



## WATER PROOF CLASS CAPABLE



## CONNECTOR MATING FORCE

< 60N

## About Aptiv

Aptiv is a global technology company that develops safer, greener and more connected solutions enabling the future of mobility. Headquartered in Dublin, Aptiv has approximately 150,000 employees and operates 14 technical centers, as well as manufacturing sites and customer support centers in 45 countries.

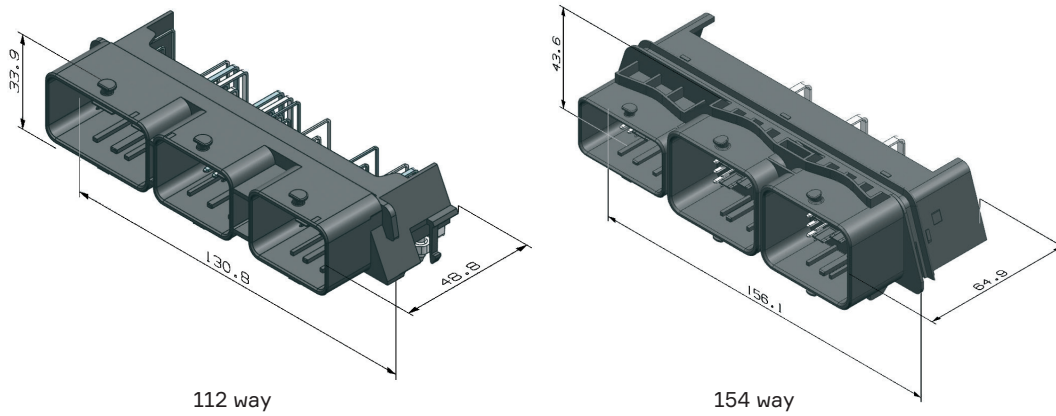
Visit [aptiv.com](http://aptiv.com)



\* Printed circuit board

Part number	Type	Color codings
33504045	112 (48+32+32)	Black + Grey + Brown
33513909	154 (48+53+53)	Grey + Black + Brown

 DIMENSION MEASUREMENT SAMPLE



 COMPATIBLE WITH



Part numbers, specifications, dimensions and performance data in this document are for general references only and are subject to change without notice. To verify product information, please contact a Aptiv representative.

CS-SP32-CMC-En0718

## X-ON Electronics

Largest Supplier of Electrical and Electronic Components

*Click to view similar products for [Automotive Connectors](#) category:*

*Click to view products by [APTIV](#) manufacturer:*

Other Similar products are found below :

[003-018-000](#) [60993906-B](#) [M902-2131](#) [M902-2161](#) [M902-2344](#) [72.330.1035.1](#) [73.353.4028.0](#) [F166900](#) [F358300-B](#) [F407400](#) [776880-1](#)  
[827153-1](#) [8N1515-32-24P](#) [9-1326729-8](#) [925474-1](#) [928905-1](#) [964562-4](#) [968782-1](#) [98891-1012](#) [12004475-L](#) [12020308](#) [12041318-B](#)  
[12052466](#) [12064869](#) [12015909](#) [1-21030-1](#) [12041254](#) [12041318](#) [12047946-B](#) [12110546-B](#) [12131792](#) [12084688](#) [12092346](#) [HD34-18-14PT](#)  
[HD46-24-23SN-059](#) [HDB36-24-16PN-059](#) [HDP26-24-9SE-L015](#) [12185280](#) [12185550](#) [12336-12](#) [12191172-B](#) [12S](#) [13545280](#) [13577943](#)  
[13681974](#) [13737722-B](#) [13830674](#) [13832576](#) [13849772](#) [13542772](#)